



Datasheet

ENGLISH

# Marine Panel

## Switch & Breaker with Mounting Panel



**Package Contain:**

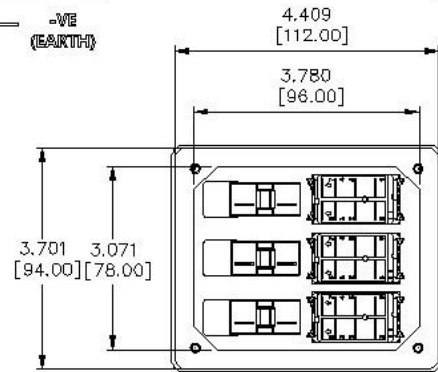
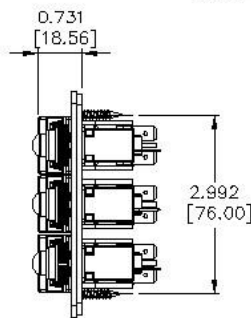
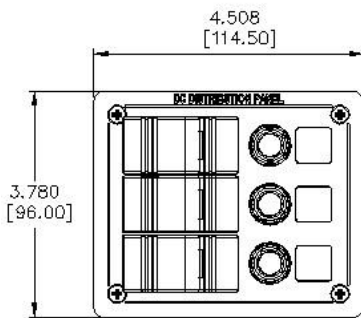
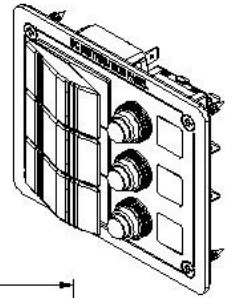
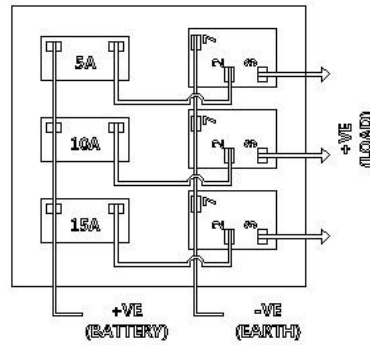
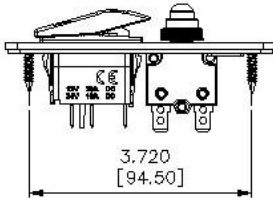
- 3 x Rocker Switch
- 1 x 5A Breaker
- 1 x 10A Breaker
- 1 x 15A Breaker
- 1 x Rubber Pad
- 4 x Stainless Steel Screw

**Specification:**

<b>SWITCH TYPE:</b>		3001748319
<b>POLES/THROWS:</b>		SPST
<b>SWITCH FUNCTIONS:</b>		ON-OFF
<b>ELECTRICAL CHARACTERISTICS</b>	<b>VOLTAGE:</b>	12VDC
	<b>TOTAL LOAD CURRENT:</b>	30A
	<b>ELECTRICAL LIFE:</b>	10,000 make-and-break cycles at full load
	<b>CONTACT RESISTANCE:</b>	20m-ohms max. initial @ 2-4VDC, 100mA
	<b>INSULATION RESISTANCE:</b>	Apply 500VDC for 1min±5sec. After which measurement to be made b/w terminals shall result 100M-ohms min.
	<b>DIELECTRICAL STRENGTH:</b>	1,500VAC (50Hz-60Hz) RMS @ sea level shall result no damage to parts arcing or flashover
<b>RELIABILITY PERFORMANCE</b>	<b>OPERATING TEMPERATURE:</b>	-30Celsius degree to +85Celsius degree
	<b>MECHANICAL LIFE:</b>	Without load, 10,000cycles min.
	<b>SOLDERING HEAT RESISTANCE:</b>	Max soldering temperature @ 260Celsius degree, immersion time 5+/-1sec, frequency of soldering process @ 2 times max.
	<b>COLD TEST:</b>	Stored at temperature -30(+/-3)Celsius degree for 48 hours, shall result no changes to switch's electrical performance
	<b>HOT TEST:</b>	Stored at temperature +85(+/-3)Celsius degree for 48 hours, shall result no changes to switch's electrical performance
	<b>HUMIDITY TEST:</b>	Stored at temperature 40(+/-3)Celsius degree with relative humidity 90%~95% for 48 hours, shall result no changes to switch's electrical performance

	<b>SALT SPRAY TEST:</b>	Stored at temperature @ 35(+/-3)Celsius degree, and salt solution concentration of 5% with full air temperature @ 47(+/-3) Celsius degree and air pressure 1.0kg for 48 hours. The switch shall result no corrosion as well as no apparent changes to its functional performance. Per ASTM-B117 & JIS-Z371 STD.
--	-------------------------	---

<b>SOLDERING &amp; CLEANING RECOMMENDATION</b>	<b>HAND SOLDERING:</b>	Max. temperature @ 350 Celsius degree (662F)with continuous soldering time @ 3sec. max.
	<b>CLEANING PROCESS:</b>	Noted, the switch is "not totally sealed" so it is important not to immerse/spray or clean unsealed areas of the switch during flux removal. Improper cleaning could cause switch deficiencies such as intermittence or open contact failures
<b>PACKAGE</b>	<b>INTERNAL PACKAGING:</b>	Tray
	<b>RoHS IDENTIFICATIONS:</b>	Package is attached with a label marking "RoHS"
<b>PRODUCT HANDLING &amp; STORING</b>	<p>The switch is suitable for power rated applications, rating recommendation is per aforementioned above (Contact rating section)</p> <p>Problem relates to terminal oxidization can be prevented by storing product in an environment that is dry and cool with the relative humidity less than 90%. Noted, prior to mounting products onto circuit board as well as for unused units, it is recommended to keep them in the bag and with the bag sealed.</p>	



- Rocker Switch x 3 (SPST / ON-OFF)
- 5A Breakers x 1
- 10A Breakers x 1
- 15A Breakers x 1
- Rubber Pad x 1
- Stainless Steel Screw x 4
- Symbol x 40 option
- Size of Panel: 114.5x96mm
- Size of Screw Hole: 94.5x76mm
- Size of Hole: 86x72mm