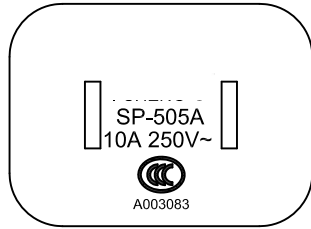
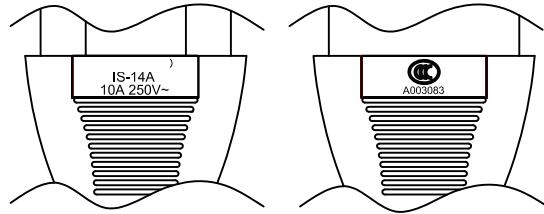


MARKING:



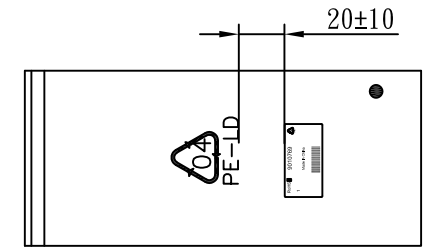
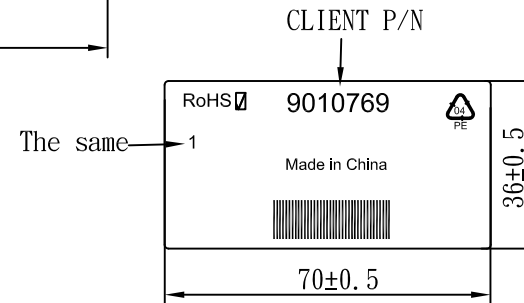
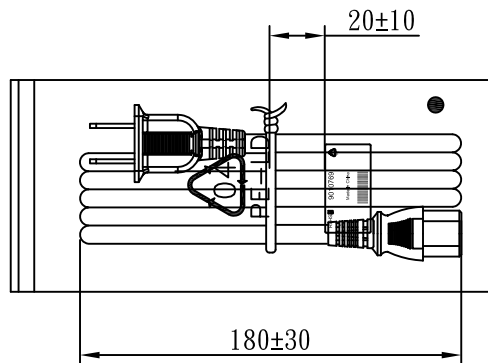
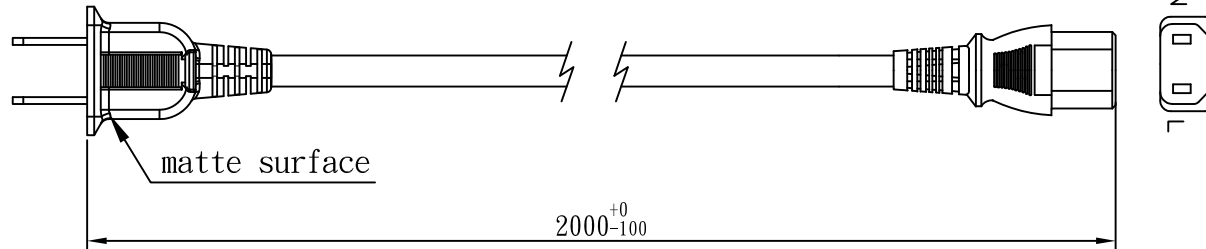
MARKING:



No	BOM ITEM	Q' TY	P/N
1	SP-505A INSERT	1 pcs	MB505A12
2	PVC 45P (SA87, SP-505A)	16 g	RPP04512
3	KPR-14 PHOSPHOR BRONZE TERMINAL	2 pcs	BBP14000
4	IS-14A INNER BODY	1 set	MI014AKS
5	PVC 45P (SA87, IS-14A)	22 g	RPP04512
6	PE TIE (BLACK, 6 inch)	1 pcs	KBB10006
7	RED PE BAG(120*290)	1 pcs	KPR11000
8	BAR CODE LABEL	1 pcs	KLLFC022

Note : Barcode encoding for EAN-128C code

Scan the content for9010769



WIRING COLOR:

N: Blue  
L: Brown

LENGTH ON CORD: (202-19)

A003083 60227 IEC 53(RVV) 300/500V 2X0.75mm<sup>2</sup>

CABLE	RVV 300/500V 2x0.75 (ROUND) DENT PRINT CT-12 (BLACK)			
PLUG	SP-505A + IS-14A	LENGTH	1950	UNIT mm
CLIENT	NAME	First connectivity	N/W	UNIT kg
	P/N	9010769	SG DWG	SR-192395-2 VER. A

Design. by	蒋玲香 (19.7.30)
Review. by	王娟 (19.7.30)
Approval. by	楊望春 (19.7.30)

B23 6B2019 12 195 01