

FEATURES

- Type K thermocouple connector
- Quick 'jab-in' connection enables rapid termination
- Standard quickwire connector
- Plug and socket
- Polarity and thermocouple type clearly marked on housings
- Accepts thermocouple cable up to 4 mm in diameter
- Maximum continuous temperature of +220°C
- Compatible with other makes of equivalent connectors
- Colour coded in accordance with IEC specification

RS PRO IEC Thermocouple Connector for use with Type K Thermocouple Type K, Standard

RS Stock No.: 891-9038



RS Professionally Approved Products bring to you professional quality parts across all product categories. Our product range has been tested by engineers and provides a comparable quality to the leading brands without paying a premium price.

Product Description

Relay temperature readings quickly and accurately with this Type K standard thermocouple plug from the RS PRO range. It's easy to connect to your Type K thermocouple as it has an in-line socket connector for quick termination. All you do is push in the wires and tighten the screws. You'll be assured of a correct connection thanks to its polarised contacts. Mini connectors feature flat plug pins, and standard connectors have solid round pins. You can use Type K connectors across different applications and wide temperature ranges as they're very versatile. This device is housed in tough glass-filled thermoplastic, which is impact resistant and will operate up to +220°C.

General Specifications

Accessory Type	Thermocouple Connector
For Use With	Type K Thermocouple
Thermocouple Type	K
Positive Contact (Alloy Type)	Nickel Chromium
Negative Contact (Alloy Type)	Nickel Alloy
Colour	Green
Applications	Standard Quickwire Connector

Mechanical Specifications

Connector Size	Standard
Probe Diameter	4mm
Plug/Socket	Plug, Socket
Dimensions	20.5mm x 8mm x 16.6mm

Operation Environment Specifications

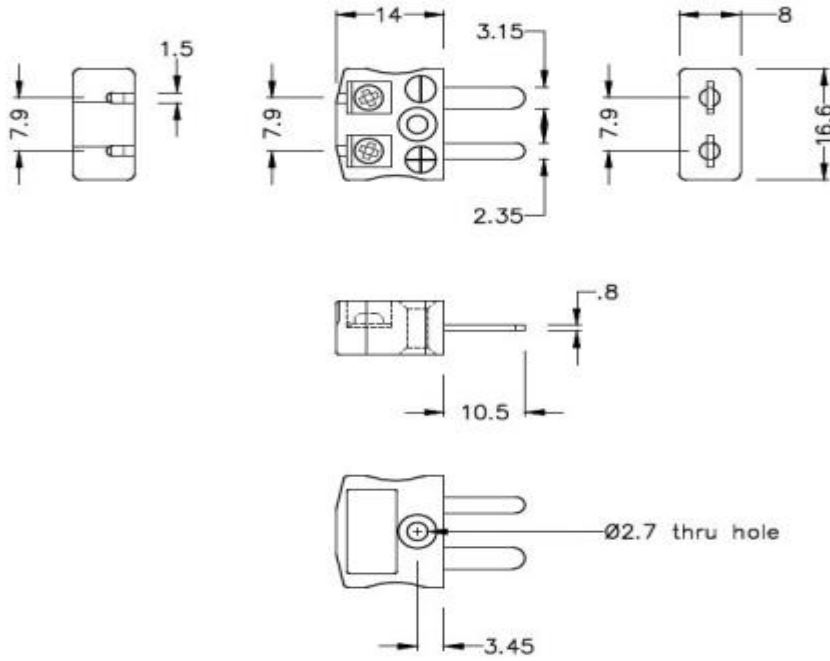
Maximum Temperature	+220°C
Minimum Temperature	-35°C

Approvals

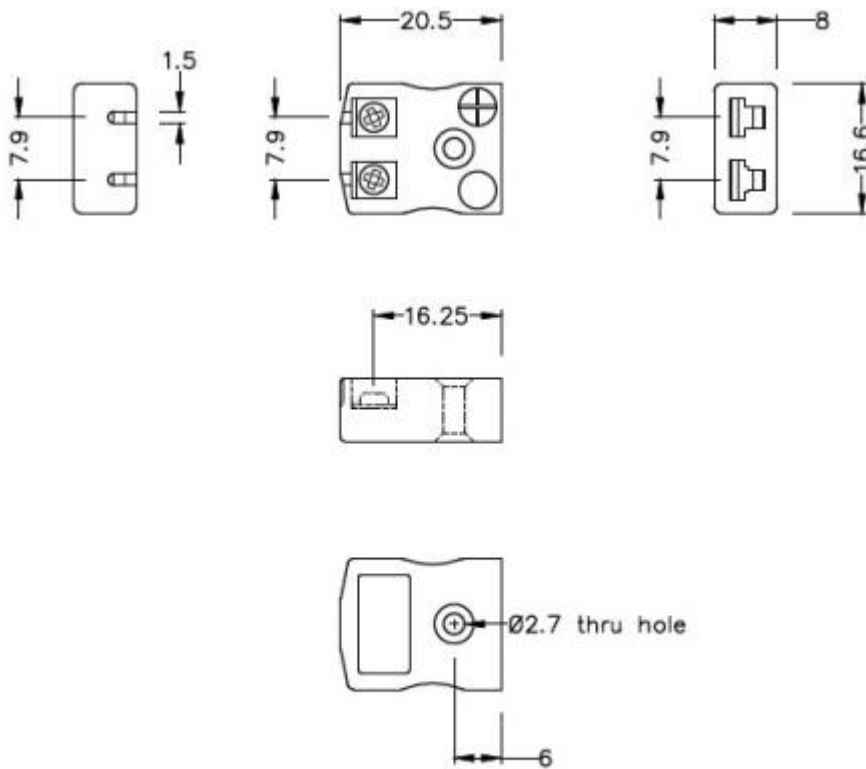
Compliance/Certifications

RoHS

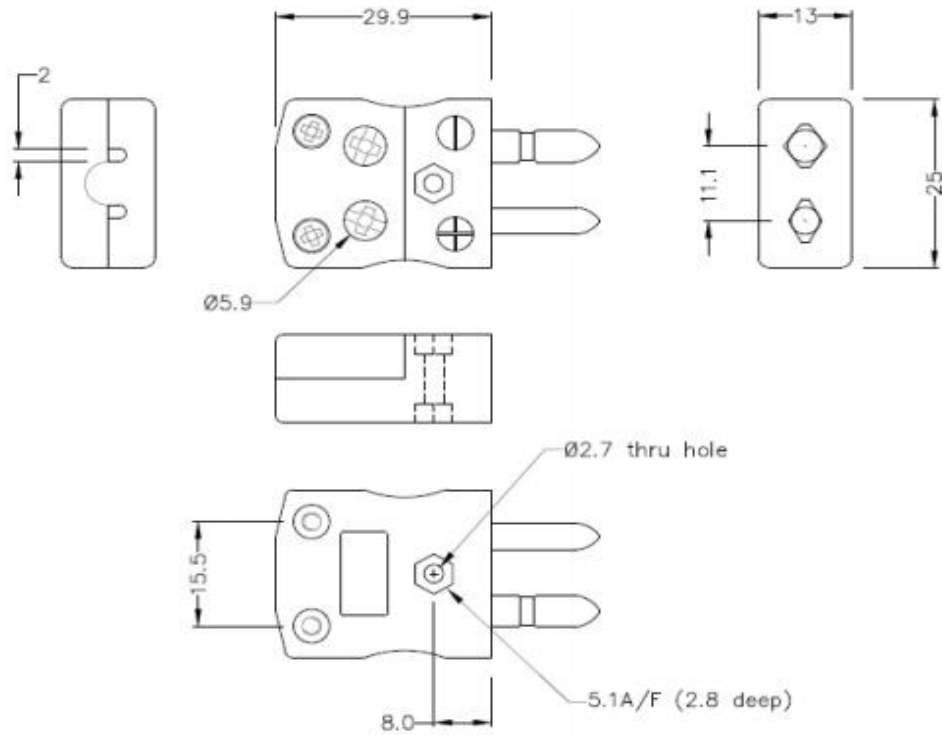




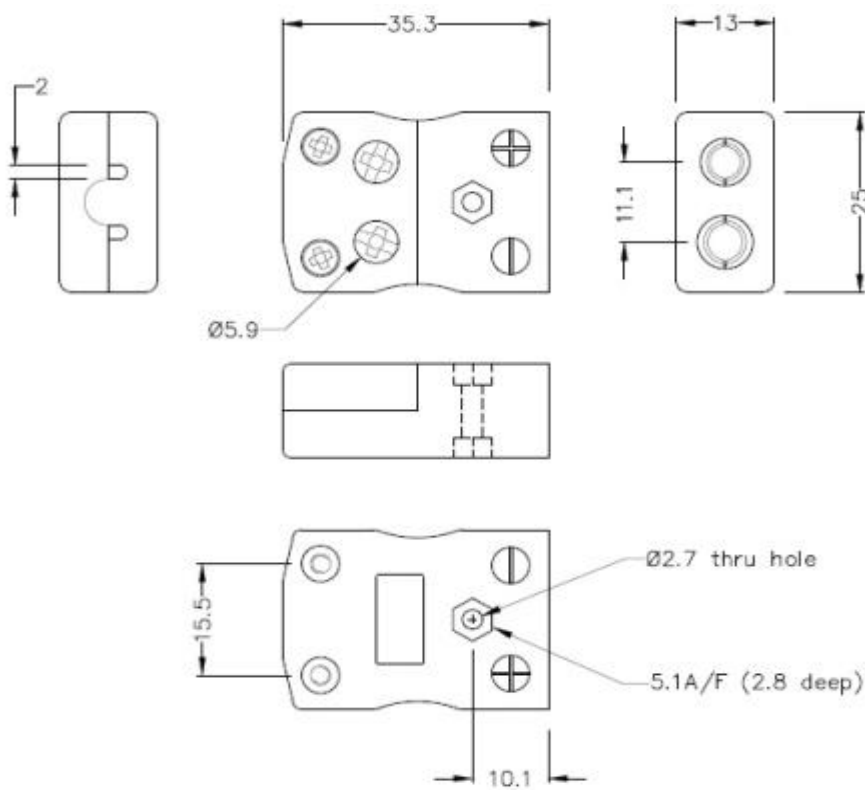
Miniature in-line Plug - Quick Wire
(dimensions in mm)



Miniature in-line Socket - Quick Wire
(dimensions in mm)



Standard in-line Plug - Quick Wire
(dimensions in mm)



Standard in-line Socket - Quick Wire
(dimensions in mm)