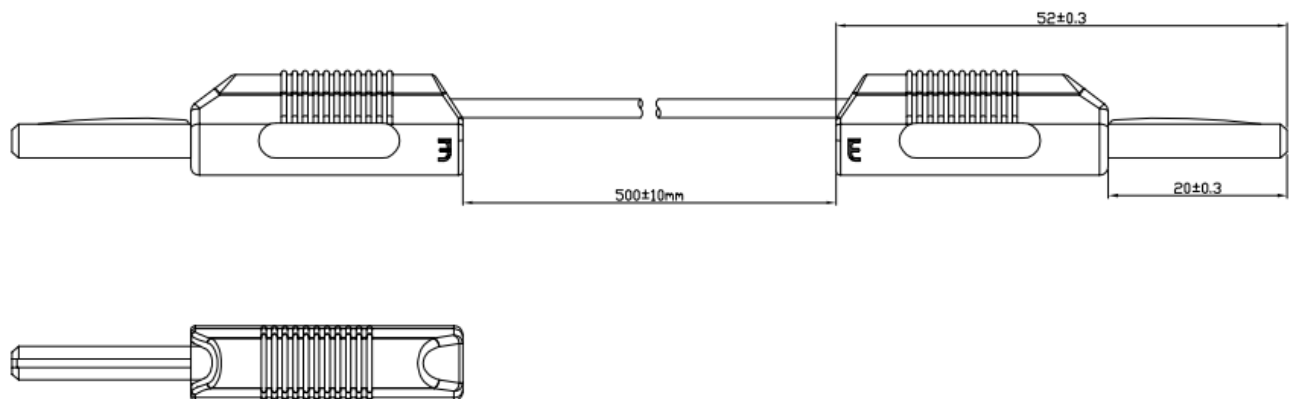


## Datasheet

### Black Test Lead

RS Stock number [668-4572](#)

Dimensions: (mm)



## Specifications

- Cable (1pc): 30/0.12BC\* $\varnothing$ 3.00 Black
- Metal Part (1set): H5 Test Lead + $\varnothing$ 3 Screw
- Plastic Material(g): UL94V-0 PVC Red
- Current Rating: 2.5A
- Voltage Rating: 50VAC