

Robert Bosch Power Tools GmbH
70538 Stuttgart
GERMANY

www.bosch-pt.com

1 609 92A 1WV (2016.04) 0 / 64



1 609 92A 1WV

GSB Professional

10 | 10 RE | 13 | 13 RE | 16 | 16 RE

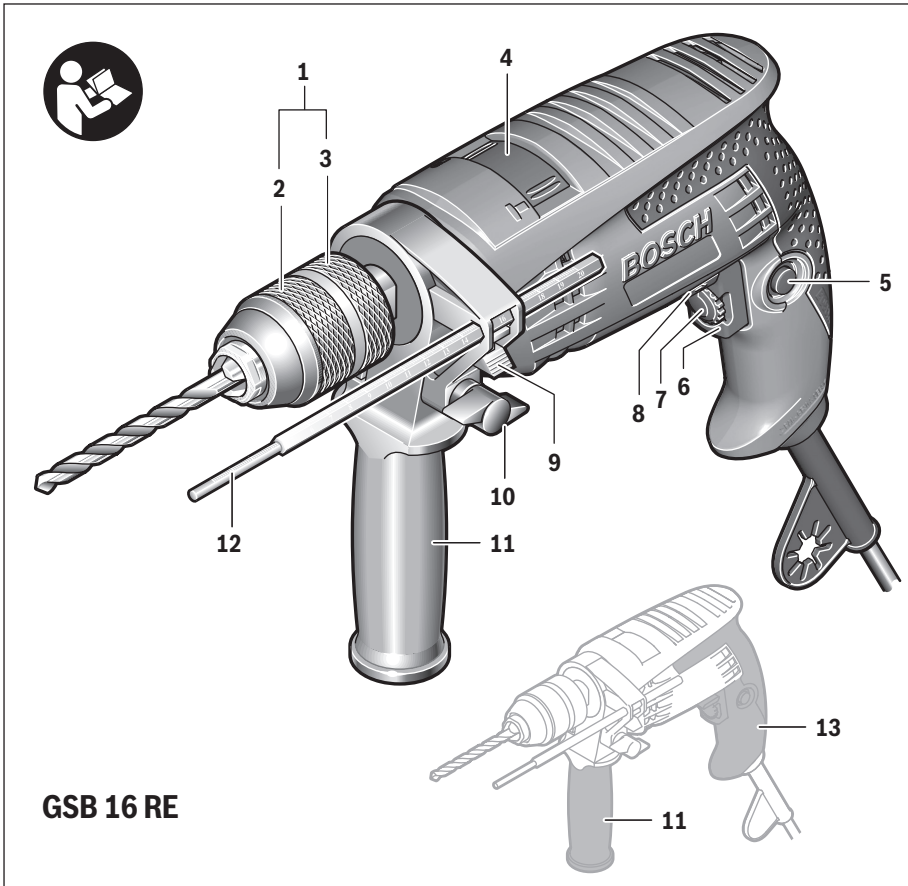


en Original instructions
fr Notice originale
es Manual original
pt Manual original
cn 正本使用说明书
tw 原始使用說明書
ko 사용 설명서 원본
th หนังสือคู่มือการใช้งานฉบับต้นแบบ

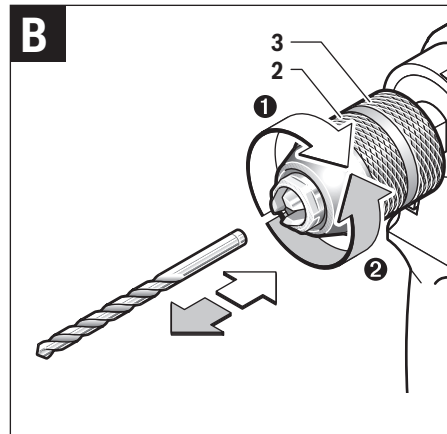
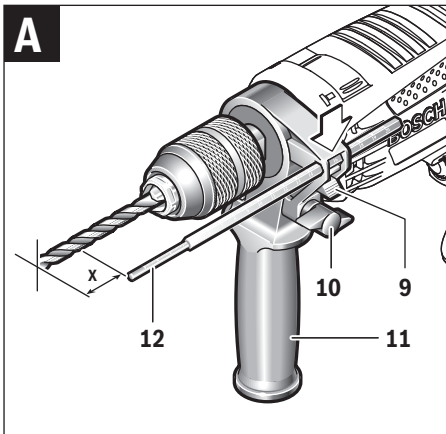
id Petunjuk-Petunjuk untuk
Penggunaan Orisinal
vi Bản gốc hướng dẫn sử dụng
ar تعليمات التشغيل الأصلية
fa دفترچه راهنمای اصلی

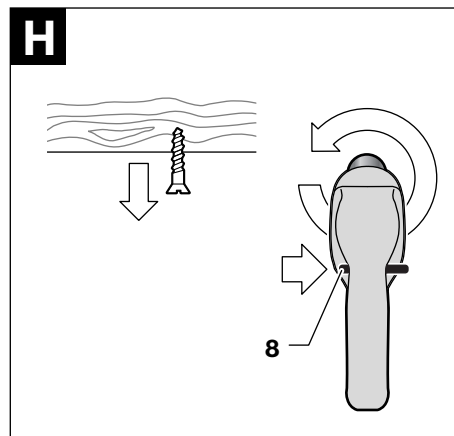
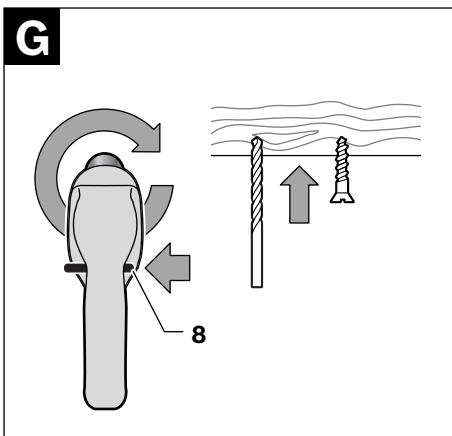
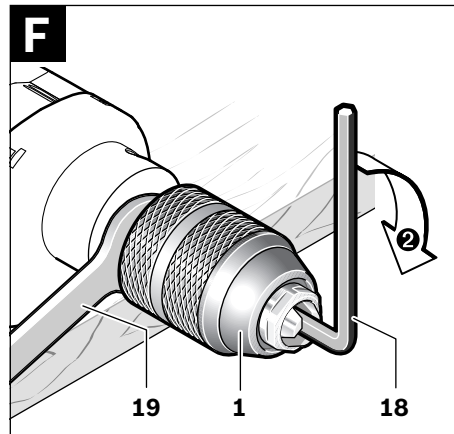
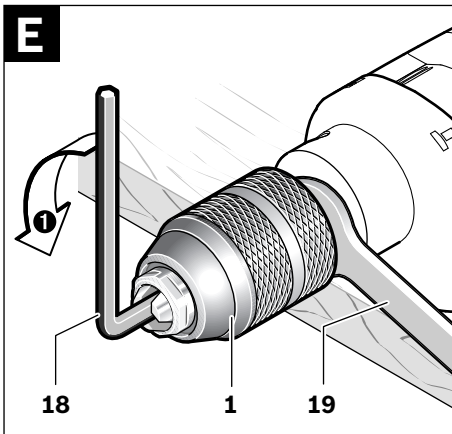
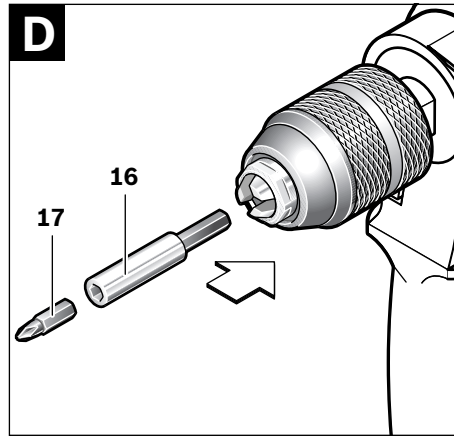
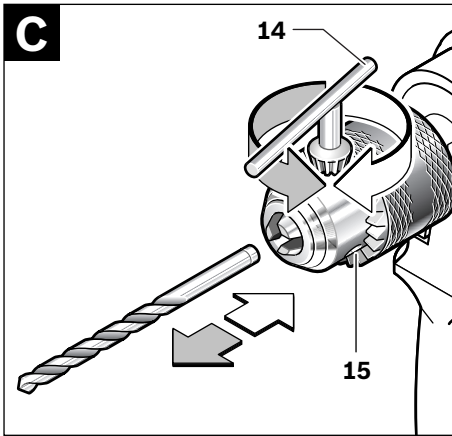


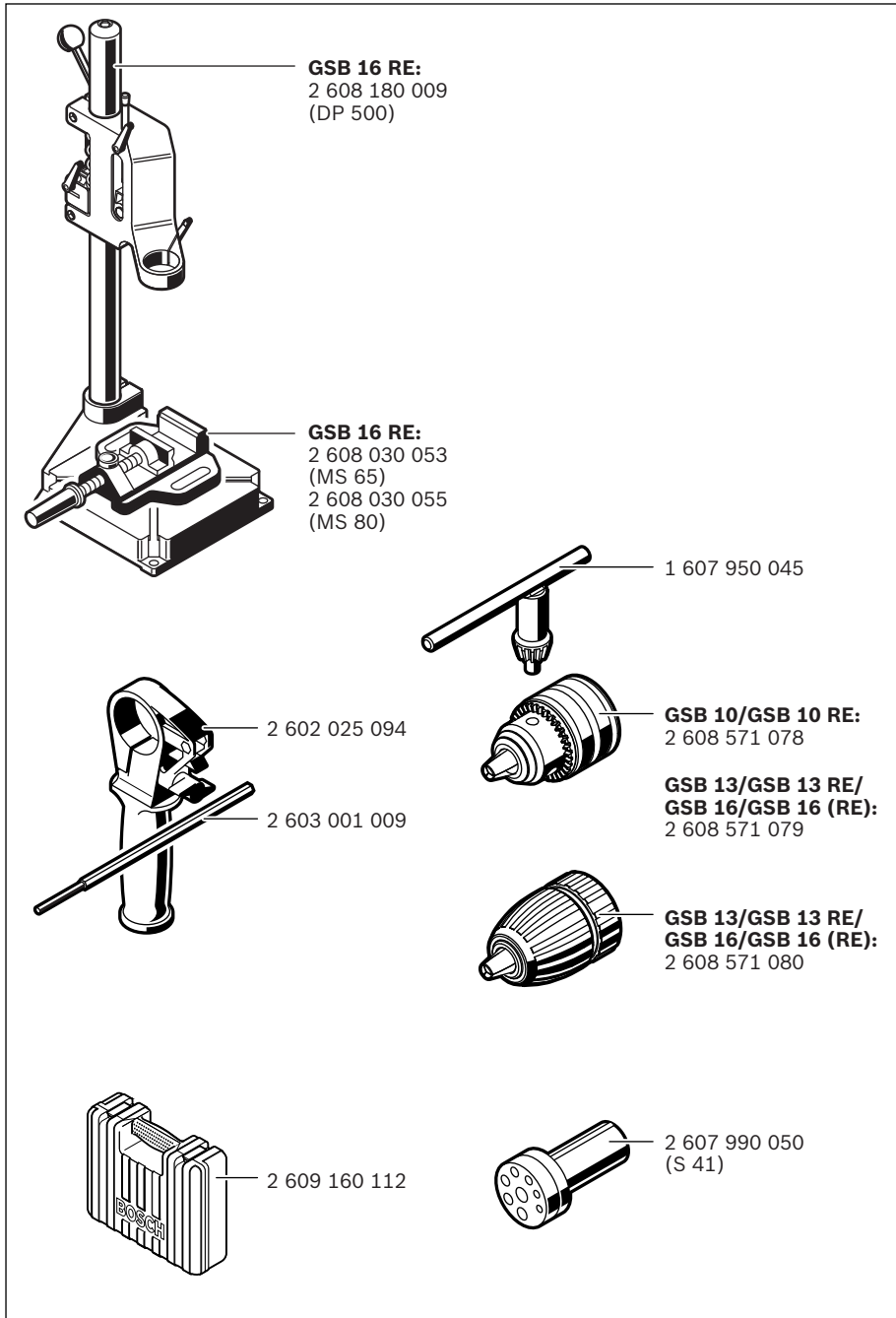
English	Page 6
Français	Page 11
Español	Página 16
Português	Página 21
中文	页 26
中文	頁 30
한국어	페이지 34
ภาษาไทย	หน้า 39
Bahasa Indonesia	Halaman 43
Tiếng Việt	Trang 48
عربي	صفحة 58
فارسی	صفحه 63



GSB 16 RE







English

Safety Notes

General Power Tool Safety Warnings

⚠ WARNING Read all safety warnings and all instructions. Failure to follow the warnings and instructions may result in electric shock, fire and/or serious injury.

Save all warnings and instructions for future reference.

The term "power tool" in the warnings refers to your mains-operated (corded) power tool or battery-operated (cordless) power tool.

Work area safety

- ▶ **Keep work area clean and well lit.** Cluttered or dark areas invite accidents.
- ▶ **Do not operate power tools in explosive atmospheres, such as in the presence of flammable liquids, gases or dust.** Power tools create sparks which may ignite the dust or fumes.
- ▶ **Keep children and bystanders away while operating a power tool.** Distractions can cause you to lose control.

Electrical safety

- ▶ **Power tool plugs must match the outlet. Never modify the plug in any way. Do not use any adapter plugs with earthed (grounded) power tools.** Unmodified plugs and matching outlets will reduce risk of electric shock.
- ▶ **Avoid body contact with earthed or grounded surfaces, such as pipes, radiators, ranges and refrigerators.** There is an increased risk of electric shock if your body is earthed or grounded.
- ▶ **Do not expose power tools to rain or wet conditions.** Water entering a power tool will increase the risk of electric shock.
- ▶ **Do not abuse the cord. Never use the cord for carrying, pulling or unplugging the power tool. Keep cord away from heat, oil, sharp edges and moving parts.** Damaged or entangled cords increase the risk of electric shock.
- ▶ **When operating a power tool outdoors, use an extension cord suitable for outdoor use.** Use of a cord suitable for outdoor use reduces the risk of electric shock.
- ▶ **If operating a power tool in a damp location is unavoidable, use a residual current device (RCD) protected supply.** Use of an RCD reduces the risk of electric shock.

Personal safety

- ▶ **Stay alert, watch what you are doing and use common sense when operating a power tool. Do not use a power tool while you are tired or under the influence of drugs, alcohol or medication.** A moment of inattention while operating power tools may result in serious personal injury.
- ▶ **Use personal protective equipment. Always wear eye protection.** Protective equipment such as dust mask, non-skid safety shoes, hard hat, or hearing protection used for appropriate conditions will reduce personal injuries.

- ▶ **Prevent unintentional starting. Ensure the switch is in the off-position before connecting to power source and/or battery pack, picking up or carrying the tool.**

Carrying power tools with your finger on the switch or energising power tools that have the switch on invites accidents.

- ▶ **Remove any adjusting key or wrench before turning the power tool on.** A wrench or a key left attached to a rotating part of the power tool may result in personal injury.
- ▶ **Do not overreach. Keep proper footing and balance at all times.** This enables better control of the power tool in unexpected situations.
- ▶ **Dress properly. Do not wear loose clothing or jewellery. Keep your hair, clothing and gloves away from moving parts.** Loose clothes, jewellery or long hair can be caught in moving parts.
- ▶ **If devices are provided for the connection of dust extraction and collection facilities, ensure these are connected and properly used.** Use of dust collection can reduce dust-related hazards.

Power tool use and care

- ▶ **Do not force the power tool. Use the correct power tool for your application.** The correct power tool will do the job better and safer at the rate for which it was designed.
- ▶ **Do not use the power tool if the switch does not turn it on and off.** Any power tool that cannot be controlled with the switch is dangerous and must be repaired.
- ▶ **Disconnect the plug from the power source and/or the battery pack from the power tool before making any adjustments, changing accessories, or storing power tools.** Such preventive safety measures reduce the risk of starting the power tool accidentally.
- ▶ **Store idle power tools out of the reach of children and do not allow persons unfamiliar with the power tool or these instructions to operate the power tool.** Power tools are dangerous in the hands of untrained users.
- ▶ **Maintain power tools. Check for misalignment or binding of moving parts, breakage of parts and any other condition that may affect the power tool's operation. If damaged, have the power tool repaired before use.** Many accidents are caused by poorly maintained power tools.
- ▶ **Keep cutting tools sharp and clean.** Properly maintained cutting tools with sharp cutting edges are less likely to bind and are easier to control.
- ▶ **Use the power tool, accessories and tool bits etc. in accordance with these instructions, taking into account the working conditions and the work to be performed.** Use of the power tool for operations different from those intended could result in a hazardous situation.

Service

- ▶ **Have your power tool serviced by a qualified repair person using only identical replacement parts.** This will ensure that the safety of the power tool is maintained.

Safety Warnings for Drills

- ▶ **Wear ear protectors when impact drilling.** Exposure to noise can cause hearing loss.
- ▶ **Use auxiliary handle(s), if supplied with the tool.** Loss of control can cause personal injury.
- ▶ **Hold power tool by insulated gripping surfaces, when performing an operation where the cutting accessory may contact hidden wiring or its own cord.** Cutting accessory contacting a "live" wire may make exposed metal parts of the power tool "live" and could give the operator an electric shock.
- ▶ **When working with the machine, always hold it firmly with both hands and provide for a secure stance.** The power tool is guided more secure with both hands.
- ▶ **Use suitable detectors to determine if utility lines are hidden in the work area or call the local utility company for assistance.** Contact with electric lines can lead to fire and electric shock. Damaging a gas line can lead to explosion. Penetrating a water line causes property damage or may cause an electric shock.
- ▶ **Switch off the power tool immediately when the tool insert jams. Be prepared for high reaction torque that can cause kickback.** The tool insert jams when:
 - the power tool is subject to overload or
 - it becomes wedged in the workpiece.
- ▶ **Secure the workpiece.** A workpiece clamped with clamping devices or in a vice is held more secure than by hand.
- ▶ **Always wait until the machine has come to a complete stop before placing it down.** The tool insert can jam and lead to loss of control over the power tool.
- ▶ **Products sold in GB only:** Your product is fitted with a BS 1363/A approved electric plug with internal fuse (ASTA approved to BS 1362).
If the plug is not suitable for your socket outlets, it should be cut off and an appropriate plug fitted in its place by an authorised customer service agent. The replacement plug should have the same fuse rating as the original plug. The severed plug must be disposed of to avoid a possible shock hazard and should never be inserted into a mains socket elsewhere.
- ▶ **Products sold in AUS and NZ only:** Use a residual current device (RCD) with a rated residual current of 30 mA or less.

Product Description and Specifications



Read all safety warnings and all instructions. Failure to follow the warnings and instructions may result in electric shock, fire and/or serious injury.

Intended Use

The machine is intended for impact drilling in brick, concrete and stone as well as for drilling in wood, metal and plastic. Machines with electronic control and right/left rotation are also suitable for screwdriving and thread-cutting.

Product Features

The numbering of the product features refers to the illustration of the machine on the graphics page.

- 1 Keyless chuck*
- 2 Front sleeve
- 3 Rear sleeve
- 4 "Drilling/Impact Drilling" selector switch
- 5 Lock-on button for On/Off switch
- 6 On/Off switch
- 7 Thumbwheel for speed preselection (GSB 16 RE)
- 8 Rotational direction switch (GSB 10 RE/GSB 13 RE/GSB 16 RE)
- 9 Button for depth stop adjustment*
- 10 Wing bolt for adjustment of auxiliary handle*
- 11 Auxiliary handle (insulated gripping surface)*
- 12 Depth stop*
- 13 Handle (insulated gripping surface)
- 14 Chuck key*
- 15 Key type drill chuck*
- 16 Universal bit holder*
- 17 Screwdriver bit*
- 18 Hex key**
- 19 Open-end spanner**

*Accessories shown or described are not part of the standard delivery scope of the product. A complete overview of accessories can be found in our accessories program.

**Commercially available (not included in the delivery scope)

Technical Data

Impact Drill	GSB ...	10	10 RE	13	13 RE	16	16 RE
Article number	3 601 ...	B16 0..	B16 1..	B17 0..	B17 1..	B18 0..	B18 1..
Rated power input	W	500	500	600	600	701	701
Output power	W	250	250	301	301	351	351
No-load speed	min ⁻¹	2600	0 – 2600	2800	0 – 2800	3000	0 – 3000
Rotational speed under load, max.	min ⁻¹	1610	1610	1570	1570	1640	1640
Impact rate	min ⁻¹	25700	25700	25070	25070	26270	26270

The values given are valid for a nominal voltage [U] of 230 V. For different voltages and models for specific countries, these values can vary.

8 | English

Impact Drill	GSB ...	10	10 RE	13	13 RE	16	16 RE
Rated torque	Nm	1.5	1.5	1.8	1.8	2.0	2.0
Speed preselection		–	–	–	–	–	●
Right/left rotation		–	●	–	●	–	●
Spindle collar dia.	mm	43	43	43	43	43	43
Max. drilling dia.							
– Concrete	mm	10	10	13	13	16	16
– Steel	mm	8	8	10	10	12	12
– Wood	mm	20	20	25	25	30	30
Chuck clamping range	mm	1.5 – 10	1.5 – 10	1.5 – 13	1.5 – 13	1.5 – 13	1.5 – 13
Weight according to EPTA-Procedure 01:2014	kg	1.5	1.5	1.8	1.8	1.9	1.9
Protection class		□/II	□/II	□/II	□/II	□/II	□/II

The values given are valid for a nominal voltage [U] of 230 V. For different voltages and models for specific countries, these values can vary.

Assembly

- ▶ **Before any work on the machine itself, pull the mains plug.**

Auxiliary Handle (see figure A) (GSB 13/GSB 13 RE/GSB 16/GSB 16 RE)

- ▶ **Operate your machine only with the auxiliary handle 11.**

The auxiliary handle **11** can be set to any position for a secure and low-fatigue working posture.

Turn the wing bolt for adjustment of the auxiliary handle **10** in anticlockwise direction and set the auxiliary handle **11** to the required position. Then tighten the wing bolt **10** again in clockwise direction.

Adjusting the Drilling Depth (see figure A)

The required drilling depth **X** can be set with the depth stop **12**.

Press the button for the depth stop adjustment **9** and insert the depth stop into the auxiliary handle **11**.

Pull out the depth stop until the distance between the tip of the drill bit and the tip of the depth stop corresponds with the desired drilling depth **X**.

Changing the Tool

Keyless Chuck (see figure B)

Hold the rear sleeve **3** of the keyless chuck **1** tight and turn the front sleeve **2** in rotation direction **⚙**, until the tool can be inserted. Insert the tool.

Hold the rear sleeve **3** of the keyless chuck **1** tight and firmly turn the front sleeve **2** in rotation direction **⚙** by hand until the locking action is no longer heard. This automatically locks the drill chuck.

The locking is released again to remove the tool when the front sleeve **2** is turned in the opposite direction.

Key Type Drill Chuck (see figure C)

- ▶ **Wear protective gloves when changing the tool.** The drill chuck can become very hot during longer work periods.

Open the key type drill chuck **15** by turning until the tool can be inserted. Insert the tool.

Insert the chuck key **14** into the corresponding holes of the key type drill chuck **15** and clamp the tool uniformly.

Screwdriver Tools (see figure D)

When working with screwdriver bits **17**, a universal bit holder **16** should always be used. Use only screwdriver bits that fit the screw head.

For driving screws, always position the "Drilling/Impact Drilling" selector switch **4** to the "Drilling" symbol.

Replacing the Drill Chuck

Removing the Drill Chuck (see figure E)

To dismount the keyless chuck **1**, clamp a Hex key **18** into the keyless chuck **1** and position an open-end spanner **19** (size 12) against the spanner flats of the drive spindle. Place the machine on a firm support, e.g., a workbench. Hold the open-end spanner **19** firmly and loosen the keyless chuck **1** by turning the Hex key **18** in rotation direction **⚙**. Loosen a tight seated keyless chuck by giving the long end of the Hex key **18** a blow. Remove the Hex key from the keyless chuck and completely unscrew the keyless chuck.

The key type drill chuck **15** is removed in the same manner as the keyless chuck.

Mounting the Drill Chuck (see figure F)

The keyless chuck/key type drill chuck is mounted in reverse order.



The drill chuck must be tightened with a tightening torque of approx. 30 – 35 Nm.

Dust/Chip Extraction

- ▶ Dust from materials such as lead-containing coatings, some wood types, minerals and metal can be harmful to one's health. Touching or breathing-in the dust can cause allergic reactions and/or lead to respiratory infections of the user or bystanders.

Certain dust, such as oak or beech dust, is considered carcinogenic, especially in connection with wood-treatment additives (chromate, wood preservative). Materials containing asbestos may only be worked by specialists.

 - Provide for good ventilation of the working place.
 - It is recommended to wear a P2 filter-class respirator.

Observe the relevant regulations in your country for the materials to be worked.
- ▶ **Prevent dust accumulation at the workplace.** Dust can easily ignite.

Operation

Starting Operation

- ▶ **Observe correct mains voltage! The voltage of the power source must agree with the voltage specified on the nameplate of the machine. Power tools marked with 230 V can also be operated with 220 V.**

Reversing the rotational direction (see figures G – H) (GSB 10 RE / GSB 13 RE / GSB 16 RE)

The rotational direction switch **8** is used to reverse the rotational direction of the machine. However, this is not possible with the On/Off switch **6** actuated.

Right Rotation: For drilling and driving in screws, push the rotational direction switch **8** left to the stop.

Left Rotation: For loosening and unscrewing screws and nuts, press the rotational direction switch **8** through to the right stop.

Setting the operating mode



Drilling and Screwdriving

Set the selector switch **4** to the "Drilling" symbol.



Impact Drilling

Set the selector switch **4** to the "Impact drilling" symbol.

The selector switch **4** engages noticeably and can also be actuated with the machine running.

Switching On and Off

To **start** the machine, press the On/Off switch **6** and keep it pressed.

To **lock** the pressed On/Off switch **6**, press the lock-on button **5**.

To **switch off** the machine, release the On/Off switch **6** or when it is locked with the lock-on button **5**, briefly press the On/Off switch **6** and then release it.

To save energy, only switch the power tool on when using it.

Adjusting the Speed/Impact Rate (GSB 10 RE / GSB 13 RE / GSB 16 RE)

The speed/impact rate of the switched on power tool can be variably adjusted, depending on how far the On/Off switch **6** is pressed.

Light pressure on the On/Off switch **6** results in low speed/impact rate. Further pressure on the switch increases the speed/impact rate.

Preselecting the Speed/Impact Rate (GSB 16 RE)

With the thumbwheel for speed preselection **7**, the required speed/impact rate can be preselected even during operation.

The required speed/impact rate depends on the material and the working conditions, and can be determined through practical testing.

Working Advice

- ▶ **Apply the power tool to the screw/nut only when it is switched off.** Rotating tool inserts can slip off.
- ▶ **When working with the machine, always hold it firmly with both hands and provide for a secure stance.** The power tool is guided more secure with both hands.

After longer periods of working at low speed, allow the machine to cool down by running it for approx. 3 minutes at maximum speed with no load.

For drilling in tiles, set the selector switch **4** to the "Drilling" symbol. Do not switch over to the symbol "Impact Drilling" or work with impact until after drilling through the tile.

Use carbide tipped drill bits when working in concrete, masonry and brick wall.

For drilling in metal, use only perfectly sharpened HSS drill bits (HSS = high-speed steel). The appropriate quality is guaranteed by the Bosch accessories program.

Twist drills from 2.5 – 10 mm can easily be sharpened with the drill bit sharpener (see accessories).

GSB 16 RE

We recommend the use of a drill stand (see accessories) for work where greater precision is particularly required.

The machine vice, which is available as an accessory, enables secure clamping of workpieces. This prevents the workpiece from turning and any accidents this would cause.

Maintenance and Service

Maintenance and Cleaning

- ▶ **Before any work on the machine itself, pull the mains plug.**
- ▶ **For safe and proper working, always keep the machine and ventilation slots clean.**

If the replacement of the supply cord is necessary, this has to be done by Bosch or an authorized Bosch service agent in order to avoid a safety hazard.

10 | English**After-sales Service and Application Service**

Our after-sales service responds to your questions concerning maintenance and repair of your product as well as spare parts. Exploded views and information on spare parts can also be found under:

www.bosch-pt.com

Bosch's application service team will gladly answer questions concerning our products and their accessories.

In all correspondence and spare parts orders, please always include the 10-digit article number given on the nameplate of the product.

People's Republic of China**China Mainland**

Bosch Power Tools (China) Co., Ltd.

567, Bin Kang Road

Bin Jiang District 310052

Hangzhou, P. R. China

Service Hotline: 4008268484

Fax: (0571) 87774502

E-Mail: contact.ptcn@cn.bosch.com

www.bosch-pt.com.cn

HK and Macau Special Administrative Regions

Robert Bosch Hong Kong Co. Ltd.

21st Floor, 625 King's Road

North Point, Hong Kong

Customer Service Hotline: +852 2101 0235

Fax: +852 2590 9762

E-Mail: info@hk.bosch.com

www.bosch-pt.com.hk

Indonesia

PT Robert Bosch

Palma Tower 10th Floor

Jl. RA Kartini II-S Kaveling 6 Sek II

Pondok Pinang, Kebayoran Lama

Jakarta Selatan 12310

Indonesia

Tel.: (021) 3005 5800

Fax: (021) 3005 5801

E-Mail: boschpowertools@id.bosch.com

www.bosch-pt.co.id

Philippines

Robert Bosch, Inc.

28th Floor Fort Legend Towers,

3rd Avenue corner 31st Street,

Fort Bonifacio Global City,

1634 Taguig City, Philippines

Tel.: (02) 8703871

Fax: (02) 8703870

matheus.contiero@ph.bosch.com

www.bosch-pt.com.ph

Bosch Service Center:

9725-27 Kamagong Street

San Antonio Village

Makati City, Philippines

Tel.: (02) 8999091

Fax: (02) 8976432

E-Mail: rosalie.dagdagan@ph.bosch.com

Malaysia

Robert Bosch Sdn. Bhd.

No. 8A, Jalan 13/6

G.P.O. Box 10818

46200 Petaling Jaya

Selangor, Malaysia

Tel.: (03) 79663194

Fax: (03) 79583838

E-Mail: cheehoe.on@my.bosch.com

Toll-Free: 1800 880188

www.bosch-pt.com.my

Thailand

Robert Bosch Ltd.

Liberty Square Building

No. 287, 11 Floor

Silom Road, Bangrak

Bangkok 10500

Tel.: 02 6393111

Fax: 02 2384783

Robert Bosch Ltd., P. O. Box 2054

Bangkok 10501, Thailand

www.bosch.co.th

Bosch Service – Training Centre

La Salle Tower Ground Floor Unit No.2

10/11 La Salle Moo 16

Srinakharin Road

Bangkaew, Bang Plee

Samutprakarn 10540

Thailand

Tel.: 02 7587555

Fax: 02 7587525

Singapore

Powerwell Service Centre Ptd Ltd

65 Ubi Crescent, #06-03 Hola Centre

Singapore 408559

Tel.: 6746 9770/71

Fax: 6746 9760

E-Mail: powerwellsc@gmail.com

Toll-Free: 1800 3338333

www.bosch-pt.com.sg

Vietnam

Robert Bosch Vietnam Co. Ltd
 13th Floor, 194 Golden Building
 473 Dien Bien Phu Street
 Ward 25, Binh Thanh District
 84 Ho Chi Minh City
 Vietnam
 Tel.: (08) 6258 3690
 Fax: (08) 6258 3692
 Hotline: (08) 6250 8555
 E-Mail: tuvankhachhang-pt@vn.bosch.com
 www.bosch-pt.com.vn
 www.baohanhbosch-pt.com.vn

Australia, New Zealand and Pacific Islands

Robert Bosch Australia Pty. Ltd.
 Power Tools
 Locked Bag 66
 Clayton South VIC 3169
 Customer Contact Center
 Inside Australia:
 Phone: (01300) 307044
 Fax: (01300) 307045
 Inside New Zealand:
 Phone: (0800) 543353
 Fax: (0800) 428570
 Outside AU and NZ:
 Phone: +61 3 95415555
 www.bosch-pt.com.au
 www.bosch-pt.co.nz

Egypt

Unimar
 20 Markaz kadmat
 El tagmoa EL Aoul – New Cairo
 Tel: +2 02 224 76091 - 95 / + 2 02 224 78072 - 73
 Fax: +2 02 224 78075
 E-Mail: adelzak@unimaregypt.com

Ethiopia

Forever plc
 Kebele 2,754, BP 4806,
 Addis Ababa, Ethiopia
 Tel: +251 111 560 600, +251 111 560 600
 E-Mail: foreverplc@ethionet.et

Nigeria

C. Woermann Ltd.
 P.O. Box 318
 6, Badejo Kalesanwo Street
 Matori Industrial Estate
 Lagos, Nigeria
 Tel: +234 17 736 498, +234 17 730 904
 E-Mail: d.kornemann@woermann-nigeria.com

Republic of South Africa

Customer service
 Hotline: (011) 6519600

Gauteng – BSC Service Centre

35 Roper Street, New Centre
 Johannesburg
 Tel.: (011) 4939375
 Fax: (011) 4930126
 E-Mail: bsctools@icon.co.za

KZN – BSC Service Centre

Unit E, Almar Centre
 143 Crompton Street
 Pinetown
 Tel.: (031) 7012120
 Fax: (031) 7012446
 E-Mail: bsc.dur@za.bosch.com

Western Cape – BSC Service Centre

Democracy Way, Prosperity Park
 Milnerton
 Tel.: (021) 5512577
 Fax: (021) 5513223
 E-Mail: bsc@zsd.co.za

Bosch Headquarters

Midrand, Gauteng
 Tel.: (011) 6519600
 Fax: (011) 6519880
 E-Mail: rbsa-hq.pts@za.bosch.com

Disposal

The machine, accessories and packaging should be sorted for environmental-friendly recycling.

Do not dispose of power tools into household waste!

Subject to change without notice.

Français**Avertissements de sécurité****Avertissements de sécurité généraux pour l'outil**

⚠ AVERTISSEMENT Lire tous les avertissements de sécurité et toutes les instructions. Ne pas suivre les avertissements et instructions peut donner lieu à un choc électrique, un incendie et/ou une blessure sérieuse.

Conserver tous les avertissements et toutes les instructions pour pouvoir s'y reporter ultérieurement.

Le terme « outil » dans les avertissements fait référence à votre outil électrique alimenté par le secteur (avec cordon d'alimentation) ou votre outil fonctionnant sur batterie (sans cordon d'alimentation).

Sécurité de la zone de travail

► **Conserver la zone de travail propre et bien éclairée.** Les zones en désordre ou sombres sont propices aux accidents.

12 | Français

- ▶ **Ne pas faire fonctionner les outils électriques en atmosphère explosive, par exemple en présence de liquides inflammables, de gaz ou de poussières.** Les outils électriques produisent des étincelles qui peuvent enflammer les poussières ou les fumées.
- ▶ **Maintenir les enfants et les personnes présentes à l'écart pendant l'utilisation de l'outil.** Les distractions peuvent vous faire perdre le contrôle de l'outil.

Sécurité électrique

- ▶ **Il faut que les fiches de l'outil électrique soient adaptées au socle. Ne jamais modifier la fiche de quelque façon que ce soit. Ne pas utiliser d'adaptateurs avec des outils à branchement de terre.** Des fiches non modifiées et des socles adaptés réduiront le risque de choc électrique.
- ▶ **Éviter tout contact du corps avec des surfaces reliées à la terre telles que les tuyaux, les radiateurs, les cuisinières et les réfrigérateurs.** Il existe un risque accru de choc électrique si votre corps est relié à la terre.
- ▶ **Ne pas exposer les outils à la pluie ou à des conditions humides.** La pénétration d'eau à l'intérieur d'un outil augmentera le risque de choc électrique.
- ▶ **Ne pas maltraiter le cordon. Ne jamais utiliser le cordon pour porter, tirer ou débrancher l'outil. Maintenir le cordon à l'écart de la chaleur, du lubrifiant, des arêtes ou des parties en mouvement.** Les cordons endommagés ou emmêlés augmentent le risque de choc électrique.
- ▶ **Lorsqu'on utilise un outil à l'extérieur, utiliser un prolongateur adapté à l'utilisation extérieure.** L'utilisation d'un cordon adapté à l'utilisation extérieure réduit le risque de choc électrique.
- ▶ **Si l'usage d'un outil dans un emplacement humide est inévitable, utiliser une alimentation protégée par un dispositif à courant différentiel résiduel (RCD).** L'usage d'un RCD réduit le risque de choc électrique.

Sécurité des personnes

- ▶ **Rester vigilant, regarder ce que vous êtes en train de faire et faire preuve de bon sens dans l'utilisation de l'outil. Ne pas utiliser un outil lorsque vous êtes fatigué ou sous l'emprise de drogues, d'alcool ou de médicaments.** Un moment d'inattention en cours d'utilisation d'un outil peut entraîner des blessures graves des personnes.
- ▶ **Utiliser un équipement de sécurité. Toujours porter une protection pour les yeux.** Les équipements de sécurité tels que les masques contre les poussières, les chaussures de sécurité antidérapantes, les casques ou les protections acoustiques utilisés pour les conditions appropriées réduiront les blessures des personnes.
- ▶ **Éviter tout démarrage intempestif. S'assurer que l'interrupteur est en position arrêt avant de brancher l'outil au secteur et/ou au bloc de batteries, de le ramasser ou de le porter.** Porter les outils en ayant le doigt sur l'interrupteur ou brancher des outils dont l'interrupteur est en position marche est source d'accidents.

- ▶ **Retirer toute clé de réglage avant de mettre l'outil en marche.** Une clé laissée fixée sur une partie tournante de l'outil peut donner lieu à des blessures de personnes.
- ▶ **Ne pas se précipiter. Garder une position et un équilibre adaptés à tout moment.** Cela permet un meilleur contrôle de l'outil dans des situations inattendues.
- ▶ **S'habiller de manière adaptée. Ne pas porter de vêtements amples ou de bijoux. Garder les cheveux, les vêtements et les gants à distance des parties en mouvement.** Des vêtements amples, des bijoux ou les cheveux longs peuvent être pris dans des parties en mouvement.
- ▶ **Si des dispositifs sont fournis pour le raccordement d'équipements pour l'extraction et la récupération des poussières, s'assurer qu'ils sont connectés et correctement utilisés.** Utiliser des collecteurs de poussière peut réduire les risques dus aux poussières.

Utilisation et entretien de l'outil

- ▶ **Ne pas forcer l'outil. Utiliser l'outil adapté à votre application.** L'outil adapté réalisera mieux le travail et de manière plus sûre au régime pour lequel il a été construit.
- ▶ **Ne pas utiliser l'outil si l'interrupteur ne permet pas de passer de l'état de marche à arrêt et vice versa.** Tout outil qui ne peut pas être commandé par l'interrupteur est dangereux et il faut le faire réparer.
- ▶ **Débrancher la fiche de la source d'alimentation en courant et/ou le bloc de batteries de l'outil avant tout réglage, changement d'accessoires ou avant de ranger l'outil.** De telles mesures de sécurité préventives réduisent le risque de démarrage accidentel de l'outil.
- ▶ **Conserver les outils à l'arrêt hors de la portée des enfants et ne pas permettre à des personnes ne connaissant pas l'outil ou les présentes instructions de le faire fonctionner.** Les outils sont dangereux entre les mains d'utilisateurs novices.
- ▶ **Observer la maintenance de l'outil. Vérifier qu'il n'y a pas de mauvais alignement ou de blocage des parties mobiles, des pièces cassées ou toute autre condition pouvant affecter le fonctionnement de l'outil. En cas de dommages, faire réparer l'outil avant de l'utiliser.** De nombreux accidents sont dus à des outils mal entretenus.
- ▶ **Garder affûtés et propres les outils permettant de couper.** Des outils destinés à couper correctement entretenus avec des pièces coupantes tranchantes sont moins susceptibles de bloquer et sont plus faciles à contrôler.
- ▶ **Utiliser l'outil, les accessoires et les lames etc., conformément à ces instructions, en tenant compte des conditions de travail et du travail à réaliser.** L'utilisation de l'outil pour des opérations différentes de celles prévues pourrait donner lieu à des situations dangereuses.

Maintenance et entretien

- ▶ **Faire entretenir l'outil par un réparateur qualifié utilisant uniquement des pièces de rechange identiques.** Cela assurera que la sécurité de l'outil est maintenue.

Avertissements de sécurité pour la perceuse

- ▶ **Porter des protecteurs d'oreilles lors du perçage avec des perceuses à percussion.** L'exposition aux bruits peut provoquer une perte de l'audition.
- ▶ **Utiliser la(les) poignée(s) auxiliaire(s) fournie(s) avec l'outil.** La perte de contrôle peut provoquer des blessures.
- ▶ **Tenir l'outil par les surfaces de préhension isolées, lors de la réalisation d'une opération au cours de laquelle l'organe de coupe peut entrer en contact avec un câblage non apparent ou son propre cordon d'alimentation.** Le contact avec un fil « sous tension » peut également mettre « sous tension » les parties métalliques exposées de l'outil électrique et provoquer un choc électrique sur l'opérateur.
- ▶ **Toujours bien tenir l'outil électroportatif des deux mains et veiller à toujours garder une position de travail stable.** Avec les deux mains, l'outil électroportatif est guidé de manière plus sûre.
- ▶ **Utiliser des détecteurs appropriés afin de déceler des conduites cachées ou consulter les entreprises d'approvisionnement locales.** Un contact avec des lignes électriques peut provoquer un incendie ou un choc électrique. Un endommagement d'une conduite de gaz peut provoquer une explosion. La perforation d'une conduite d'eau provoque des dégâts matériels et peut provoquer un choc électrique.
- ▶ **Arrêtez immédiatement l'appareil électrique lorsque l'outil coince. Attendez-vous à des couples de réaction importants causant un contrecoup.** L'outil se bloque lorsque :
 - l'appareil électrique est surchargé ou
 - lorsqu'il coince dans la pièce à travailler.
- ▶ **Bloquer la pièce à travailler.** Une pièce à travailler serrée par des dispositifs de serrage appropriés ou dans un état est fixée de manière plus sûre que tenue dans les mains.
- ▶ **Avant de déposer l'outil électroportatif, attendre que celui-ci soit complètement à l'arrêt.** L'outil risque de se coincer, ce qui entraînerait une perte de contrôle de l'outil électroportatif.

Utilisation conforme

L'appareil est conçu pour le perçage à percussion dans la brique, le béton et dans la pierre naturelle ainsi que pour le perçage dans le bois, le métal, la céramique et les matières plastiques. Les appareils avec réglage électronique et rotation droite/gauche sont également appropriés pour le vissage et le filetage.

Éléments de l'appareil

La numérotation des éléments de l'appareil se réfère à la représentation de l'outil électroportatif sur la page graphique.

- 1 Mandrin automatique*
- 2 Douille avant
- 3 Douille arrière
- 4 Commutateur « Perçage/Perçage à percussion »
- 5 Bouton de blocage de l'interrupteur Marche/Arrêt
- 6 Interrupteur Marche/Arrêt
- 7 Molette de présélection de la vitesse (GSB 16 RE)
- 8 Commutateur du sens de rotation (GSB 10 RE/GSB 13 RE/GSB 16 RE)
- 9 Touche pour réglage de la butée de profondeur*
- 10 Vis papillon pour déplacer la poignée supplémentaire*
- 11 Poignée supplémentaire (surface de préhension isolante)*
- 12 Butée de profondeur*
- 13 Poignée (surface de préhension isolante)
- 14 Clé de mandrin*
- 15 Mandrin à couronne dentée*
- 16 Porte-embout universel*
- 17 Embout de réglage*
- 18 Clé mâle coudée pour vis à six pans creux**
- 19 Clé plate**

*Les accessoires décrits ou illustrés ne sont pas tous compris dans la fourniture. Vous trouverez les accessoires complets dans notre programme d'accessoires.

**disponible dans le commerce (non fourni avec l'appareil)

Description et performances du produit



Il est impératif de lire toutes les consignes de sécurité et toutes les instructions. Le non-respect des avertissements et instructions indiqués ci-après peut conduire à une électrocution, un incendie et/ou de graves blessures.

14 | Français

Caractéristiques techniques

Perceuse à percussion	GSB ...	10	10 RE	13	13 RE	16	16 RE
N° d'article	3 601 ...	B16 0..	B16 1..	B17 0..	B17 1..	B18 0..	B18 1..
Puissance nominale absorbée	W	500	500	600	600	701	701
Puissance utile débitée	W	250	250	301	301	351	351
Vitesse à vide	tr/min	2600	0 – 2600	2800	0 – 2800	3000	0 – 3000
Vitesse de rotation max. sous charge	tr/min	1610	1610	1570	1570	1640	1640
Nombre de chocs	min ⁻¹	25700	25700	25070	25070	26270	26270
Couple nominal	Nm	1,5	1,5	1,8	1,8	2,0	2,0
Préréglage de la vitesse de rotation		-	-	-	-	-	●
Rotation droite/gauche		-	●	-	●	-	●
Ø collet de broche	mm	43	43	43	43	43	43
Ø perçage max.							
- Béton	mm	10	10	13	13	16	16
- Acier	mm	8	8	10	10	12	12
- Bois	mm	20	20	25	25	30	30
Plage de serrage du mandrin	mm	1,5 – 10	1,5 – 10	1,5 – 13	1,5 – 13	1,5 – 13	1,5 – 13
Poids suivant EPTA-Procédure 01:2014	kg	1,5	1,5	1,8	1,8	1,9	1,9
Classe de protection		□/II	□/II	□/II	□/II	□/II	□/II

Ces indications sont valables pour une tension nominale de [U] 230 V. Ces indications peuvent varier pour des tensions plus basses ainsi que pour des versions spécifiques à certains pays.

Montage

- ▶ Avant d'effectuer des travaux sur l'outil électroportatif, retirez la fiche de la prise de courant.

Poignée supplémentaire (voir figure A)
(GSB 13 / GSB 13 RE / GSB 16 / GSB 16 RE)

- ▶ N'utilisez l'outil électroportatif qu'avec la poignée supplémentaire 11.

La poignée supplémentaire 11 peut être basculée dans n'importe quelle position, afin d'obtenir une position de travail sûre et peu fatigante.

Pour régler la poignée supplémentaire, tournez la vis papillon 10 dans le sens inverse des aiguilles d'une montre et faites tourner la poignée supplémentaire 11 dans la position souhaitée. Ensuite, resserrez la vis papillon 10 dans le sens des aiguilles d'une montre.

Réglage de la profondeur de perçage (voir figure A)

La butée de profondeur 12 permet de déterminer la profondeur de perçage souhaitée X.

Appuyez sur la touche de réglage de la butée de profondeur 9 et placez la butée de profondeur dans la poignée supplémentaire 11.

Sortez la butée de profondeur jusqu'à ce que la distance entre la pointe du foret et la pointe de la butée de profondeur corresponde à la profondeur de perçage souhaitée X.

Changement d'outil

Mandrin automatique (voir figure B)

Tenez la douille arrière 3 du mandrin automatique 1 et ouvrez la douille avant 2 dans le sens de rotation 1 jusqu'à ce que l'outil puisse être monté. Mettez en place l'outil.

Tenez la douille arrière 3 du mandrin automatique 1 et tournez manuellement à fond la douille avant 2 dans le sens de rotation 2 jusqu'à ce qu'aucun clic ne se fasse entendre. Le mandrin de perçage se trouve alors verrouillé automatiquement.

Le verrouillage peut être desserré lorsqu'on tourne la douille avant 2 en sens inverse afin d'enlever l'outil.

Mandrin à couronne dentée (voir figure C)

- ▶ Portez des gants de protection lors du changement d'outil. En cas de travaux assez longs, le mandrin de perçage risque de s'échauffer fortement.

Ouvrez le mandrin à clé à couronne dentée 15 par un mouvement de rotation jusqu'à ce que l'outil puisse être monté. Montez l'outil.

Introduisez la clé de mandrin 14 dans les orifices correspondants du mandrin à clé à couronne dentée 15 et verrouillez l'outil de manière régulière.

Outils de vissage (voir figure D)

Lorsque des embouts sont utilisés 17, il est recommandé d'utiliser un porte-embout universel 16. N'utilisez que des embouts appropriés à la tête de vis.

Pour visser, mettez toujours le commutateur « Perçage/Perçage à percussion » 4 sur le symbole « Perçage ».

Changement du mandrin de perçage

Démontage du mandrin de perçage (voir figure E)

Pour démonter le mandrin automatique **1**, serrer une clé pour vis à six pans creux **18** dans le mandrin automatique **1** et placer une clé à fourche **19** (ouverture 12) sur la face de clé de la broche d'entraînement. Poser l'outil électroportatif sur un support stable, p. ex. un établi. Maintenir la clé à fourche **19** et desserrer le mandrin automatique **1** en tournant la clé pour vis à six pans creux **18** dans le sens de rotation **1**. Au cas où le mandrin automatique serait coincé, il suffit de donner un coup léger sur le bout long de la clé pour vis à six pans creux **18** afin de le desserrer. Enlever la clé pour vis à six pans creux du mandrin automatique et desserrer complètement le mandrin automatique.

Le démontage du mandrin à couronne dentée **15** se fait de la même manière que pour le mandrin automatique.

Montage du mandrin de perçage (voir figure F)

Le montage du mandrin automatique/du mandrin à couronne dentée s'effectue dans l'ordre inverse.



Le mandrin de perçage doit être serré avec un couple de serrage de 30 – 35 Nm environ.

Aspiration de poussières/de copeaux

- ▶ Les poussières de matériaux tels que peintures contenant du plomb, certains bois, minéraux ou métaux, peuvent être nuisibles à la santé. Entrer en contact ou aspirer les poussières peut entraîner des réactions allergiques et/ou des maladies respiratoires auprès de l'utilisateur ou de personnes se trouvant à proximité.

Certaines poussières telles que les poussières de chêne ou de hêtre sont considérées comme cancérigènes, surtout en association avec des additifs pour le traitement du bois (chromate, lazure). Les matériaux contenant de l'amiante ne doivent être travaillés que par des personnes qualifiées.

- Veillez à bien aérer la zone de travail.
- Il est recommandé de porter un masque respiratoire avec un niveau de filtration de classe P2.

Respectez les règlements spécifiques aux matériaux à traiter en vigueur dans votre pays.

- ▶ **Évitez toute accumulation de poussières à l'emplacement de travail.** Les poussières peuvent facilement s'enflammer.

Mise en marche

Mise en service

- ▶ **Tenez compte de la tension du réseau ! La tension de la source de courant doit correspondre aux indications se trouvant sur la plaque signalétique de l'outil électroportatif. Les outils électroportatifs marqués 230 V peuvent également fonctionner sur 220 V.**

Sélection du sens de rotation (voir figures G – H) (GSB 10 RE/GSB 13 RE/GSB 16 RE)

Le commutateur de sens de rotation **8** permet d'inverser le sens de rotation de l'outil électroportatif. Ceci n'est cependant pas possible, quand l'interrupteur Marche/Arrêt **6** est en fonction.

Rotation droite : Pour percer et visser, tournez le commutateur du sens de rotation **8** à fond vers la gauche.

Rotation gauche : Pour desserrer ou dévisser des vis et des écrous, tournez le commutateur du sens de rotation **8** à fond vers la droite.

Réglage du mode de fonctionnement



Visser et percer

Positionnez le commutateur **4** sur le symbole « Perçage ».



Perçage à percussion

Positionnez le commutateur **4** sur le symbole « Perçage à percussion ».

Le commutateur **4** s'encliquette de façon perceptible et peut être actionné même pendant que le moteur est en marche.

Mise en Marche/Arrêt

Pour **mettre** l'outil électroportatif **en marche**, appuyez sur l'interrupteur Marche/Arrêt **6** et maintenez-le appuyé.

Pour **bloquer** l'interrupteur Marche/Arrêt en fonction **6**, appuyez sur le bouton de blocage **5**.

Pour **arrêter** l'appareil électroportatif, relâchez l'interrupteur Marche/Arrêt **6** ou, s'il est bloqué par le bouton de blocage **5**, appuyez brièvement sur l'interrupteur Marche/Arrêt **6**, puis relâchez-le.

Afin d'économiser l'énergie, ne mettez l'outil électroportatif en marche que quand vous l'utilisez.

Réglage de la vitesse de rotation/de la fréquence de frappe (GSB 10 RE/GSB 13 RE/GSB 16 RE)

Vous pouvez régler en continu la vitesse de rotation/la fréquence de frappe de l'outil électroportatif en fonction de la pression exercée sur l'interrupteur de Marche/Arrêt **6**.

Une légère pression sur l'interrupteur Marche/Arrêt **6** entraîne une faible vitesse de rotation/fréquence de frappe. Plus la pression augmente, plus la vitesse de rotation/la fréquence de frappe est élevée.

Préréglage de la vitesse de rotation/de la fréquence de frappe (GSB 16 RE)

La molette de présélection de la vitesse de rotation **7** permet de présélectionner la vitesse de rotation/la fréquence de frappe nécessaire (même durant l'utilisation de l'appareil).

La vitesse de rotation/la fréquence de frappe dépend du matériau à travailler et des conditions de travail et peut être déterminée par des essais pratiques.

Instructions d'utilisation

- ▶ **Posez l'outil électroportatif sur la vis/sur l'écrou seulement lorsque l'appareil est arrêté.** Les outils de travail en rotation peuvent glisser.
- ▶ **Toujours bien tenir l'outil électroportatif des deux mains et veiller à toujours garder une position de travail stable.** Avec les deux mains, l'outil électroportatif est guidé de manière plus sûre.

16 | Español

Après avoir travaillé à une vitesse de rotation faible pendant une période relativement longue, faites travailler l'outil électroportatif à vide à la vitesse de rotation maximale pendant une durée de 3 minutes environ afin de le laisser se refroidir.

Pour percer dans des carreaux de faïence, positionnez le commutateur **4** sur le symbole « Perçage ». Une fois le carreau de faïence percé, positionnez le commutateur sur le symbole « Perçage à percussion » et travaillez avec frappe.

Pour les travaux de perçage dans le béton, la pierre et la maçonnerie, utilisez des forets en carbure.

Pour percer dans le métal, n'utilisez que des forets HSS aiguisés et en parfait état (HSS = aciers super rapides). La gamme d'accessoires Bosch vous assure la qualité nécessaire.

Avec l'appareil d'affûtage de forets (accessoire), il est possible d'aiguiser sans problèmes des forets hélicoïdaux d'un diamètre de 2,5 – 10 mm.

GSB 16 RE

Pour les travaux de très haute précision, utilisez un support de perçage (accessoire).

L'étai disponible comme accessoire permet de serrer l'outil fermement. Ceci empêche l'outil de bouger et de par là, prévient les accidents.

Entretien et Service Après-Vente**Nettoyage et entretien**

- ▶ **Avant d'effectuer des travaux sur l'outil électroportatif, retirez la fiche de la prise de courant.**
- ▶ **Veillez à ce que l'outil électroportatif ainsi que les ouïes de ventilation soient toujours propres afin d'obtenir un travail impeccable et sûr.**

Si le remplacement du câble d'alimentation est nécessaire, ceci ne doit être effectué que par Bosch ou une station de Service Après-Vente agréée pour outillage Bosch afin d'éviter des dangers de sécurité.

Service Après-Vente et Assistance

Notre Service Après-Vente répond à vos questions concernant la réparation et l'entretien de votre produit et les pièces de rechange. Vous trouverez des vues éclatées ainsi que des informations concernant les pièces de rechange également sous :

www.bosch-pt.com

Les conseillers techniques et assistants Bosch sont à votre disposition pour répondre à vos questions concernant nos produits et leurs accessoires.

Pour toute demande de renseignement ou commande de pièces de rechange, précisez-nous impérativement le numéro d'article à dix chiffres indiqué sur la plaque signalétique du produit.

Pour avoir des renseignements concernant la garantie, les travaux d'entretien ou de réparation ou les pièces de rechange, veuillez contacter votre détaillant spécialisé.

Morocco

Outipro
53, rue du Lieutenant Mahroud Mohamed
20300 Casablanca
Tel. : +212 (0) 522 400 409, +212 (0) 522 400 615
E-Mail: service@outipro.ma

Algeria

Siestal
Zone Industrielle lhaddaden 06000 Bejaia
Tel : +213 (0) 982 400 991/2
Fax : +213 (0) 3 420 1569
E-Mail: sav@siestal-dz.com

Tunisia

Sotel
Z.I. St. Gobin Lotissement SMMT-Lot No 25-99
2014-Megrine Riadh
Tél. : +216 71 427 496
Fax : +216 71 354 175
E-Mail: sotel2@planet.tn

Élimination des déchets

Les outils électroportatifs, ainsi que leurs accessoires et emballages, doivent pouvoir suivre chacun une voie de recyclage appropriée.

Ne jetez pas les outils électroportatifs avec les ordures ménagères !

Sous réserve de modifications.

**Español****Instrucciones de seguridad****Advertencias de peligro generales para herramientas eléctricas**

⚠ ADVERTENCIA Lea íntegramente estas advertencias de peligro e instrucciones. En caso de no atenerse a las advertencias de peligro e instrucciones siguientes, ello puede ocasionar una descarga eléctrica, un incendio y/o lesión grave.

Guardar todas las advertencias de peligro e instrucciones para futuras consultas.

El término herramienta eléctrica empleado en las siguientes advertencias de peligro se refiere a herramientas eléctricas de conexión a la red (con cable de red) y a herramientas eléctricas accionadas por acumulador (o sea, sin cable de red).

Seguridad del puesto de trabajo

- ▶ **Mantenga limpio y bien iluminado su puesto de trabajo.** El desorden o una iluminación deficiente en las áreas de trabajo pueden provocar accidentes.
- ▶ **No utilice la herramienta eléctrica en un entorno con peligro de explosión, en el que se encuentren combustibles líquidos, gases o material en polvo.** Las herramientas eléctricas producen chispas que pueden llegar a inflamar los materiales en polvo o vapores.
- ▶ **Mantenga alejados a los niños y otras personas de su puesto de trabajo al emplear la herramienta eléctrica.** Una distracción le puede hacer perder el control sobre la herramienta eléctrica.

Seguridad eléctrica

- ▶ **El enchufe de la herramienta eléctrica debe corresponder a la toma de corriente utilizada. No es admisible modificar el enchufe en forma alguna. No emplear adaptadores en herramientas eléctricas dotadas con una toma de tierra.** Los enchufes sin modificar adecuados a las respectivas tomas de corriente reducen el riesgo de una descarga eléctrica.
- ▶ **Evite que su cuerpo toque partes conectadas a tierra como tuberías, radiadores, cocinas y refrigeradores.** El riesgo a quedar expuesto a una sacudida eléctrica es mayor si su cuerpo tiene contacto con tierra.
- ▶ **No exponga la herramienta eléctrica a la lluvia y evite que penetren líquidos en su interior.** Existe el peligro de recibir una descarga eléctrica si penetran ciertos líquidos en la herramienta eléctrica.
- ▶ **No utilice el cable de red para transportar o colgar la herramienta eléctrica, ni tire de él para sacar el enchufe de la toma de corriente. Mantenga el cable de red alejado del calor, aceite, esquinas cortantes o piezas móviles.** Los cables de red dañados o enredados pueden provocar una descarga eléctrica.
- ▶ **Al trabajar con la herramienta eléctrica a la intemperie utilice solamente cables de prolongación apropiados para su uso en exteriores.** La utilización de un cable de prolongación adecuado para su uso en exteriores reduce el riesgo de una descarga eléctrica.
- ▶ **Si fuese imprescindible utilizar la herramienta eléctrica en un entorno húmedo, es necesario conectarla a través de un fusible diferencial.** La aplicación de un fusible diferencial reduce el riesgo a exponerse a una descarga eléctrica.

Seguridad de personas

- ▶ **Esté atento a lo que hace y emplee la herramienta eléctrica con prudencia. No utilice la herramienta eléctrica si estuviese cansado, ni tampoco después de haber consumido alcohol, drogas o medicamentos.** El no estar atento durante el uso de la herramienta eléctrica puede provocarle serias lesiones.
- ▶ **Utilice un equipo de protección personal y en todo caso unas gafas de protección.** El riesgo a lesionarse se reduce considerablemente si, dependiendo del tipo y la aplicación de la herramienta eléctrica empleada, se utiliza un equipo de protección adecuado como una mascarilla antipolvo,

zapatos de seguridad con suela antideslizante, casco, o protectores auditivos.

- ▶ **Evite una puesta en marcha fortuita. Asegurarse de que la herramienta eléctrica esté desconectada antes de conectarla a la toma de corriente y/o al montar el acumulador, al recogerla, y al transportarla.** Si transporta la herramienta eléctrica sujetándola por el interruptor de conexión/desconexión, o si alimenta la herramienta eléctrica estando ésta conectada, ello puede dar lugar a un accidente.
- ▶ **Retire las herramientas de ajuste o llaves fijas antes de conectar la herramienta eléctrica.** Una herramienta de ajuste o llave fija colocada en una pieza rotante puede producir lesiones al poner a funcionar la herramienta eléctrica.
- ▶ **Evite posturas arriesgadas. Trabaje sobre una base firme y mantenga el equilibrio en todo momento.** Ello le permitirá controlar mejor la herramienta eléctrica en caso de presentarse una situación inesperada.
- ▶ **Lleve puesta una vestimenta de trabajo adecuada. No utilice vestimenta amplia ni joyas. Mantenga su pelo, vestimenta y guantes alejados de las piezas móviles.** La vestimenta suelta, el pelo largo y las joyas se pueden enganchar con las piezas en movimiento.
- ▶ **Siempre que sea posible utilizar unos equipos de aspiración o captación de polvo, asegúrese que éstos estén montados y que sean utilizados correctamente.** El empleo de estos equipos reduce los riesgos derivados del polvo.

Uso y trato cuidadoso de herramientas eléctricas

- ▶ **No sobrecargue la herramienta eléctrica. Use la herramienta eléctrica prevista para el trabajo a realizar.** Con la herramienta adecuada podrá trabajar mejor y más seguro dentro del margen de potencia indicado.
- ▶ **No utilice herramientas eléctricas con un interruptor defectuoso.** Las herramientas eléctricas que no se puedan conectar o desconectar son peligrosas y deben hacerse reparar.
- ▶ **Saque el enchufe de la red y/o desmonte el acumulador antes de realizar un ajuste en la herramienta eléctrica, cambiar de accesorio o al guardar la herramienta eléctrica.** Esta medida preventiva reduce el riesgo a conectar accidentalmente la herramienta eléctrica.
- ▶ **Guarde las herramientas eléctricas fuera del alcance de los niños. No permita la utilización de la herramienta eléctrica a aquellas personas que no estén familiarizadas con su uso o que no hayan leído estas instrucciones.** Las herramientas eléctricas utilizadas por personas inexpertas son peligrosas.
- ▶ **Cuide la herramienta eléctrica con esmero. Controle si funcionan correctamente, sin atascarse, las partes móviles de la herramienta eléctrica, y si existen partes rotas o deterioradas que pudieran afectar al funcionamiento de la herramienta eléctrica. Haga reparar estas piezas defectuosas antes de volver a utilizar la herramienta eléctrica.** Muchos de los accidentes se deben a herramientas eléctricas con un mantenimiento deficiente.

18 | Español

- ▶ **Mantenga los útiles limpios y afilados.** Los útiles mantenidos correctamente se dejan guiar y controlar mejor.
- ▶ **Utilice la herramienta eléctrica, accesorios, útiles, etc. de acuerdo a estas instrucciones, considerando en ello las condiciones de trabajo y la tarea a realizar.** El uso de herramientas eléctricas para trabajos diferentes de aquellos para los que han sido concebidas puede resultar peligroso.

Servicio

- ▶ **Únicamente haga reparar su herramienta eléctrica por un profesional, empleando exclusivamente piezas de repuesto originales.** Solamente así se mantiene la seguridad de la herramienta eléctrica.

Instrucciones de seguridad para taladradoras

- ▶ **Colóquese unos protectores auditivos al taladrar con percusión.** El ruido intenso puede provocar sordera.
- ▶ **Emplee la(s) empuñadura(s) adicional(es), caso de suministrarse con la herramienta eléctrica.** La pérdida de control sobre la herramienta eléctrica puede provocar un accidente.
- ▶ **Sujete el aparato por las empuñaduras aisladas al realizar trabajos en los que el útil pueda tocar conductores eléctricos ocultos o el propio cable de la red.** El contacto con un conductor bajo tensión puede poner también bajo tensión las partes metálicas del aparato y conducir a una descarga eléctrica.
- ▶ **Trabajar sobre una base firme sujetando la herramienta eléctrica con ambas manos.** La herramienta eléctrica es guiada de forma más segura con ambas manos.
- ▶ **Utilice unos aparatos de exploración adecuados para detectar posibles tuberías de agua y gas o cables eléctricos ocultos, o consulte a la compañía local que le abastece con energía.** El contacto con cables eléctricos puede electrocutarle o causar un incendio. Al dañar las tuberías de gas, ello puede dar lugar a una explosión. La perforación de una tubería de agua puede redundar en daños materiales o provocar una electrocución.
- ▶ **Desconecte inmediatamente la herramienta eléctrica si el útil se bloquea. Esté preparado para soportar la elevada fuerza de reacción.** El útil se bloquea:
 - si la herramienta eléctrica se sobrecarga, o
 - si éste se ladea en la pieza de trabajo.
- ▶ **Asegure la pieza de trabajo.** Una pieza de trabajo fijada con unos dispositivos de sujeción, o en un tornillo de banco, se mantiene sujeta de forma mucho más segura que con la mano.
- ▶ **Antes de depositarla, esperar a que se haya detenido la herramienta eléctrica.** El útil puede engancharse y hacerle perder el control sobre la herramienta eléctrica.
- ▶ **El enchufe macho de conexión, debe ser conectado solamente a un enchufe hembra de las mismas características técnicas del enchufe macho en materia.**

Descripción y prestaciones del producto

Lea íntegramente estas advertencias de peligro e instrucciones. En caso de no atenderse a las advertencias de peligro e instrucciones siguientes, ello puede ocasionar una descarga eléctrica, un incendio y/o lesión grave.

Utilización reglamentaria

La herramienta eléctrica ha sido diseñada para taladrar con percusión en ladrillo, hormigón y piedra, así como para taladrar sin percudir madera, metal, cerámica y material sintético. Los aparatos dotados con regulador electrónico e inversión de giro son adecuados también para atornillar y hacer roscas.

Componentes principales

La numeración de los componentes está referida a la imagen de la herramienta eléctrica en la página ilustrada.

- 1 Portabrocas de sujeción rápida*
- 2 Casquillo anterior
- 3 Casquillo posterior
- 4 Selector "Taladrar/taladrar con percusión"
- 5 Tecla de enclavamiento del interruptor de conexión/desconexión
- 6 Interruptor de conexión/desconexión
- 7 Rueda preselección de revoluciones (GSB 16 RE)
- 8 Selector de sentido de giro (GSB 10 RE/GSB 13 RE/GSB 16 RE)
- 9 Botón de ajuste del tope de profundidad*
- 10 Tornillo de mariposa para ajuste de la empuñadura adicional*
- 11 Empuñadura adicional (zona de agarre aislada)*
- 12 Tope de profundidad*
- 13 Empuñadura (zona de agarre aislada)
- 14 Llave del portabrocas*
- 15 Portabrocas de corona dentada*
- 16 Soporte universal de puntas de atornillar*
- 17 Punta de atornillar*
- 18 Llave macho hexagonal**
- 19 Llave fija**

* Los accesorios descritos e ilustrados no corresponden al material que se adjunta de serie. La gama completa de accesorios opcionales se detalla en nuestro programa de accesorios.

** de tipo comercial (no se adjunta con el aparato)

Datos técnicos

Taladradora de percusión	GSB ...	10	10 RE	13	13 RE	16	16 RE
Nº de artículo	3 601 ...	B16 0..	B16 1..	B17 0..	B17 1..	B18 0..	B18 1..
Potencia absorbida nominal	W	500	500	600	600	701	701
Potencia útil	W	250	250	301	301	351	351
Revoluciones en vacío	min ⁻¹	2600	0 – 2600	2800	0 – 2800	3000	0 – 3000
Revoluciones máx. bajo carga	min ⁻¹	1610	1610	1570	1570	1640	1640
Frecuencia de percusión	min ⁻¹	25700	25700	25070	25070	26270	26270
Par nominal	Nm	1,5	1,5	1,8	1,8	2,0	2,0
Preselección de revoluciones		–	–	–	–	–	●
Giro a derechas/izquierdas		–	●	–	●	–	●
Ø del cuello del husillo	mm	43	43	43	43	43	43
Ø máx. de perforación							
– Hormigón	mm	10	10	13	13	16	16
– Acero	mm	8	8	10	10	12	12
– Madera	mm	20	20	25	25	30	30
Capacidad del portabrocas	mm	1,5 – 10	1,5 – 10	1,5 – 13	1,5 – 13	1,5 – 13	1,5 – 13
Peso según EPTA-Procedure 01:2014	kg	1,5	1,5	1,8	1,8	1,9	1,9
Clase de protección		□/II	□/II	□/II	□/II	□/II	□/II

Estos datos son válidos para una tensión nominal de [U] 230 V. Los valores pueden variar para otras tensiones y en ejecuciones específicas para ciertos países.

Montaje

- ▶ **Antes de cualquier manipulación en la herramienta eléctrica, sacar el enchufe de red de la toma de corriente.**

Empuñadura adicional (ver figura A) (GSB 13/GSB 13 RE/GSB 16/GSB 16 RE)

- ▶ **Solamente utilice la herramienta eléctrica con la empuñadura adicional 11 montada.**

La empuñadura adicional **11** puede girarse a cualquier posición para permitirle trabajar manteniendo una postura firme y cómoda.

Gire en sentido contrario a las agujas del reloj el tornillo de mariposa **10** y gire la empuñadura adicional **11** a la posición deseada. Seguidamente apriete en el sentido de las agujas del reloj el tornillo de mariposa **10**.

Ajuste de la profundidad de perforación (ver figura A)

El tope de profundidad **12** permite ajustar la profundidad de perforación **X** deseada.

Presione el botón de ajuste del tope de profundidad **9** e introduzca el tope de profundidad en la empuñadura adicional **11**. Saque el tope de profundidad de manera que la medida entre la punta de la broca y del tope de profundidad corresponda a la profundidad de perforación **X**.

Cambio de útil

Portabrocas de sujeción rápida (ver figura B)

Sujete el casquillo posterior **3** del portabrocas de sujeción rápida **1** y gire el casquillo anterior **2** en el sentido **●**, de manera que pueda insertarse el útil. Inserte el útil.

Sujete el casquillo posterior **3** del portabrocas de sujeción rápida **1** y gire firmemente el casquillo anterior **2** en el sentido **●**, hasta que deje de percibirse el ruido de carraca. El portabrocas queda enclavado así de forma automática.

Para desmontar el útil, es preciso desenclavar el portabrocas girando el casquillo anterior **2** en sentido contrario.

Portabrocas de corona dentada (ver figura C)

- ▶ **Utilice unos guantes de protección al cambiar de útil.** El portabrocas puede calentarse fuertemente después de haber trabajado prolongadamente con el aparato.

Gire el portabrocas de corona dentada **15** lo suficiente para poder alojar el útil. Inserte el útil.

Introduzca la llave del portabrocas **14** en cada uno de los taladros del portabrocas de corona dentada **15** y apriete uniformemente el útil.


Útiles de atornillar (ver figura D)

Si utiliza puntas de atornillar **17** éstas deberán montarse siempre en un soporte universal para puntas de atornillar **16**. Únicamente utilice puntas de atornillar que ajusten correctamente en la cabeza del tornillo.

Para atornillar ajuste siempre el selector "Taladrar/percutir" **4** en la posición con el símbolo "Taladrar".

20 | Español


Cambio del portabrocas**Desmontaje del portabrocas (ver figura E)**

Para desmontar el portabrocas de sujeción rápida **1** sujete una llave macho hexagonal **18** en el portabrocas de sujeción rápida **1** y aplique una llave fija **19** (entre caras 12) a los planos fresados del husillo. Deposite la herramienta eléctrica sobre una base firme como, p. ej., un banco de trabajo. Sujete firmemente la llave fija **19** y afloje el portabrocas de sujeción rápida **1** girando en el sentido  la llave macho hexagonal **18**. Si el portabrocas de sujeción rápida se resistiese a ser desmontado, aplique un golpe leve contra el extremo más largo de la llave macho hexagonal **18**. Retire la llave macho hexagonal del portabrocas de sujeción rápida y desenrósquelo completamente.

El desmontaje del portabrocas de corona dentada **15** se realiza de igual manera a la descrita para el portabrocas de sujeción rápida.

Montaje del portabrocas (ver figura F)

El montaje del portabrocas de sujeción rápida o de corona dentada, se realiza siguiendo los pasos en orden inverso.

 **El portabrocas deberá apretarse con un par de apriete aprox. de 30 – 35 Nm.**

Aspiración de polvo y virutas

► El polvo de ciertos materiales como, pinturas que contengan plomo, ciertos tipos de madera y algunos minerales y metales, puede ser nocivo para la salud. El contacto y la inspiración de estos polvos pueden provocar en el usuario o en las personas circundantes reacciones alérgicas y/o enfermedades respiratorias.

Ciertos polvos como los de roble, encina y haya son considerados como cancerígenos, especialmente en combinación con los aditivos para el tratamiento de la madera (cromatos, conservantes de la madera). Los materiales que contengan amianto solamente deberán ser procesados por especialistas.

- Observe que esté bien ventilado el puesto de trabajo.
- Se recomienda una mascarilla protectora con un filtro de la clase P2.

Observe las prescripciones vigentes en su país sobre los materiales a trabajar.

► **Evite acumulaciones de polvo en el puesto de trabajo.** Los materiales en polvo se pueden inflamar fácilmente.

Operación**Puesta en marcha**

► **¡Observe la tensión de red! La tensión de alimentación deberá coincidir con las indicaciones en la placa de características de la herramienta eléctrica. Las herramientas eléctricas marcadas con 230 V pueden funcionar también a 220 V.**

Ajuste del sentido de giro (ver figuras G – H) (GSB 10 RE / GSB 13 RE / GSB 16 RE)

Con el selector **8** puede invertirse el sentido de giro actual de la herramienta eléctrica. Esto no es posible, sin embargo, con el interruptor de conexión/desconexión **6** accionado.

Giro a derechas: Para taladrar y enroscar tornillos presionar hasta el tope hacia la izquierda el selector de sentido de giro **8**.

Giro a izquierdas: Para aflojar o sacar tornillos y tuercas empujar hasta el tope hacia la derecha el selector del sentido de giro **8**.

Ajuste del modo de operación**Taladrar y atornillar**

Gire el selector **4** hacia la posición con el símbolo "Taladrar".

Taladrar con percusión

Colocar el selector **4** sobre el símbolo "Taladrar con percusión".

El selector **4** queda enclavado de forma perceptible y se puede accionar también con el motor en funcionamiento.

Conexión/desconexión

Para la **puesta en marcha** de la herramienta eléctrica accionar y mantener en esa posición el interruptor de conexión/desconexión **6**.

Para **retener** el interruptor de conexión/desconexión **6** una vez accionado, presionar la tecla de enclavamiento **5**.

Para **desconectar** la herramienta eléctrica suelte el interruptor de conexión/desconexión **6**, o en caso de estar enclavado con la tecla **5**, presione brevemente y suelte a continuación el interruptor de conexión/desconexión **6**.

Para ahorrar energía, solamente conecte la herramienta eléctrica cuando vaya a utilizarla.

Ajuste del nº de revoluciones/frecuencia de percusión (GSB 10 RE / GSB 13 RE / GSB 16 RE)

Variando la presión ejercida sobre el interruptor de conexión/desconexión **6** puede Ud. regular de forma continua las revoluciones/nº de impactos de la herramienta eléctrica.

Accionando ligeramente el interruptor de conexión/desconexión **6** se obtienen unas revoluciones/frecuencia de percusión reducida. Aumentando paulatinamente la presión se van aumentando en igual medida las revoluciones/frecuencia de percusión.

Preselección del nº de revoluciones/frecuencia de percusión (GSB 16 RE)

La rueda preselección de revoluciones **7** le permite seleccionar el nº de revoluciones/frecuencia de percusión incluso durante la operación del aparato.

El nº de revoluciones/frecuencia de percusión precisado depende del material y condiciones de trabajo, siendo conveniente determinarlo probando.

Instrucciones para la operación

- ▶ **Solamente aplique la herramienta eléctrica desconectada contra la tuerca o tornillo.** Los útiles en rotación pueden resbalar.
- ▶ **Trabajar sobre una base firme sujetando la herramienta eléctrica con ambas manos.** La herramienta eléctrica es guiada de forma más segura con ambas manos.

En caso de trabajar prolongadamente a bajas revoluciones deberá refrigerarse la herramienta eléctrica dejándola funcionar aprox. 3 minutos a las revoluciones en vacío máximas.

Para taladrar azulejos, ajuste el selector **4** a la posición con el símbolo de "Taladrar". Una vez traspasado el azulejo gire el selector a la posición con el símbolo "Taladrar con percusión" para continuar taladrando con percusión.

Al taladrar hormigón, piedra y ladrillo emplear brocas de metal duro.

Para taladrar en metal solamente usar brocas HSS (HSS = acero de corte rápido de alto rendimiento) bien afiladas y en perfecto estado. Brocas con la calidad correspondiente las encontrará en el programa de accesorios Bosch.

Con el dispositivo para afilar brocas (accesorio especial) pueden afilarse cómodamente brocas helicoidales con diámetros de 2,5–10 mm.

GSB 16 RE

Para realizar trabajos con gran precisión utilice un soporte de taladrar (accesorio especial).

Las mordazas para máquina, adquiribles como accesorio, permiten una sujeción segura de la pieza de trabajo. Con ello se evita que se gire la pieza de trabajo y los accidentes que se deriven de ello.

Mantenimiento y servicio

Mantenimiento y limpieza

- ▶ **Antes de cualquier manipulación en la herramienta eléctrica, sacar el enchufe de red de la toma de corriente.**
- ▶ **Mantenga limpia la herramienta eléctrica y las rejillas de refrigeración para trabajar con eficacia y seguridad.**

La sustitución de un cable de conexión deteriorado deberá ser realizada por Bosch o por un servicio técnico autorizado para herramientas eléctricas Bosch con el fin de garantizar la seguridad del aparato.

Servicio técnico y atención al cliente

El servicio técnico le asesorará en las consultas que pueda Ud. tener sobre la reparación y mantenimiento de su producto, así como sobre piezas de recambio. Los dibujos de despiece e informaciones sobre las piezas de recambio lo podrá obtener también en internet bajo:

www.bosch-pt.com

Nuestro equipo de asesores técnicos le orientará gustosamente en cuanto a la adquisición, aplicación y ajuste de los productos y accesorios.

Para cualquier consulta o pedido de piezas de repuesto es imprescindible indicar el nº de artículo de 10 dígitos que figura en la placa de características del producto.

España

Robert Bosch España S.L.U.

Departamento de ventas Herramientas Eléctricas
C/Hermanos García Noblejas, 19
28037 Madrid

Para efectuar su pedido online de recambios o pedir la recogida para la reparación de su máquina, entre en la página www.herramientasbosch.net.

Tel. Asesoramiento al cliente: 902 531 553

Fax: 902 531554

Venezuela

Robert Bosch S.A.

Final Calle Vargas. Edf. Centro Berimer P.B.

Boleíta Norte

Caracas 107

Tel.: (0212) 2074511

México

Robert Bosch S. de R.L. de C.V.

Calle Robert Bosch No. 405 C.P. 50071

Zona Industrial, Toluca - Estado de México

Tel. Interior: (01) 800 6271286

Tel. D.F.: 52843062

E-Mail: arturo.fernandez@mx.bosch.com

Argentina

Robert Bosch Argentina S.A.

Av. Córdoba 5160

C1414BAW Ciudad Autónoma de Buenos Aires

Atención al Cliente

Tel.: (0810) 5552020

E-Mail: herramientas.bosch@ar.bosch.com

Perú

Robert Bosch S.A.C.

Av. Primavera 781, Urb. Chacarilla, San Borja (Edificio Aldo)

Buzón Postal Lima 41 - Lima

Tel.: (01) 2190332

Chile

Robert Bosch S.A.

Calle El Cacique

0258 Providencia – Santiago

Tel.: (02) 2405 5500

Eliminación

Recomendamos que las herramientas eléctricas, accesorios y embalajes sean sometidos a un proceso de recuperación que respete el medio ambiente.

¡No arroje las herramientas eléctricas a la basura!

Reservado el derecho de modificación.



El símbolo es solamente válido, si también se encuentra sobre la placa de características del producto/fabricado.

Português

Indicações de segurança

Indicações gerais de advertência para ferramentas elétricas

⚠ ATENÇÃO Devem ser lidas todas as indicações de advertência e todas as instruções.

O desrespeito das advertências e instruções apresentadas abaixo pode causar choque elétrico, incêndio e/ou graves lesões.

Guarde bem todas as advertências e instruções para futura referência.

O termo “Ferramenta elétrica” utilizado a seguir nas indicações de advertência, refere-se a ferramentas elétricas operadas com corrente de rede (com cabo de rede) e a ferramentas elétricas operadas com acumulador (sem cabo de rede).

Segurança da área de trabalho

- ▶ **Mantenha a sua área de trabalho sempre limpa e bem iluminada.** Desordem ou áreas de trabalho insuficientemente iluminadas podem levar a acidentes.
- ▶ **Não trabalhar com a ferramenta elétrica em áreas com risco de explosão, nas quais se encontrem líquidos, gases ou pós inflamáveis.** Ferramentas elétricas produzem faíscas, que podem inflamar pós ou vapores.
- ▶ **Manter crianças e outras pessoas afastadas da ferramenta elétrica durante a utilização.** No caso de distração é possível que perca o controlo sobre o aparelho.

Segurança elétrica

- ▶ **A ficha de conexão da ferramenta elétrica deve caber na tomada. A ficha não deve ser modificada de maneira alguma. Não utilizar uma ficha de adaptação junto com ferramentas elétricas protegidas por ligação à terra.** Fichas não modificadas e tomadas apropriadas reduzem o risco de um choque elétrico.
- ▶ **Evitar que o corpo possa entrar em contacto com superfícies ligadas à terra, como tubos, aquecimentos, fogões e frigoríficos.** Há um risco elevado devido a choque elétrico, se o corpo estiver ligado à terra.
- ▶ **Manter o aparelho afastado de chuva ou humidade.** A infiltração de água numa ferramenta elétrica aumenta o risco de choque elétrico.
- ▶ **Não deverá utilizar o cabo para outras finalidades. Jamais utilizar o cabo para transportar a ferramenta elétrica, para pendurá-la, nem para puxar a ficha da tomada. Manter o cabo afastado de calor, óleo, cantos afiados ou partes do aparelho em movimento.** Cabos danificados ou emaranhados aumentam o risco de um choque elétrico.
- ▶ **Se trabalhar com uma ferramenta elétrica ao ar livre, só deverá utilizar cabos de extensão apropriados para áreas exteriores.** A utilização de um cabo de extensão apropriado para áreas exteriores reduz o risco de um choque elétrico.

- ▶ **Se não for possível evitar o funcionamento da ferramenta elétrica em áreas húmidas, deverá ser utilizado um disjuntor de corrente de avaria.** A utilização de um disjuntor de corrente de avaria reduz o risco de um choque elétrico.

Segurança de pessoas

- ▶ **Esteja atento, observe o que está a fazer e tenha prudência ao trabalhar com a ferramenta elétrica. Não utilizar uma ferramenta elétrica quando estiver fatigado ou sob a influência de drogas, álcool ou medicamentos.** Um momento de descuido ao utilizar a ferramenta elétrica, pode levar a lesões graves.
- ▶ **Utilizar equipamento de proteção pessoal e sempre óculos de proteção.** A utilização de equipamento de proteção pessoal, como máscara de proteção contra pó, sapatos de segurança antiderrapantes, capacete de segurança ou proteção auricular, de acordo com o tipo e aplicação da ferramenta elétrica, reduz o risco de lesões.
- ▶ **Evitar uma colocação em funcionamento involuntária. Assegure-se de que a ferramenta elétrica esteja desligada, antes de conectá-la à alimentação de rede e/ou ao acumulador, antes de levantá-la ou de transportá-la.** Se tiver o dedo no interruptor ao transportar a ferramenta elétrica ou se o aparelho for conectado à alimentação de rede enquanto estiver ligado, poderão ocorrer acidentes.
- ▶ **Remover ferramentas de ajuste ou chaves de boca antes de ligar a ferramenta elétrica.** Uma ferramenta ou chave que se encontre numa parte do aparelho em movimento pode levar a lesões.
- ▶ **Evite uma posição anormal. Mantenha uma posição firme e mantenha sempre o equilíbrio.** Desta forma é mais fácil controlar a ferramenta elétrica em situações inesperadas.
- ▶ **Usar roupa apropriada. Não usar roupa larga nem joias. Mantenha os cabelos, roupas e luvas afastadas de partes em movimento.** Roupas frouxas, cabelos longos ou joias podem ser agarrados por peças em movimento.
- ▶ **Se for possível montar dispositivos de aspiração ou de recolha, assegure-se de que estejam conectados e utilizados corretamente.** A utilização de uma aspiração de pó pode reduzir o perigo devido ao pó.

Utilização e manuseio cuidadosos de ferramentas elétricas

- ▶ **Não sobrecarregue o aparelho. Utilize a ferramenta elétrica apropriada para o seu trabalho.** É melhor e mais seguro trabalhar com a ferramenta elétrica apropriada na área de potência indicada.
- ▶ **Não utilizar uma ferramenta elétrica com um interruptor defeituoso.** Uma ferramenta elétrica que não pode mais ser ligada nem desligada, é perigosa e deve ser reparada.
- ▶ **Puxar a ficha da tomada e/ou remover o acumulador antes de executar ajustes no aparelho, de substituir acessórios ou de guardar o aparelho.** Esta medida de segurança evita o arranque involuntário da ferramenta elétrica.

- ▶ **Guardar ferramentas elétricas não utilizadas fora do alcance de crianças. Não permita que pessoas que não estejam familiarizadas com o aparelho ou que não tenham lido estas instruções, utilizem o aparelho.** Ferramentas elétricas são perigosas se forem utilizadas por pessoas inesperientes.
- ▶ **Tratar a ferramenta elétrica com cuidado. Controlar se as partes móveis do aparelho funcionam perfeitamente e não emperram, e se há peças quebradas ou danificadas que possam prejudicar o funcionamento da ferramenta elétrica. Permitir que peças danificadas sejam reparadas antes da utilização.** Muitos acidentes têm como causa, a manutenção insuficiente de ferramentas elétricas.
- ▶ **Manter as ferramentas de corte afiadas e limpas.** Ferramentas de corte cuidadosamente tratadas e com cantos de corte afiados emperram com menos frequência e podem ser conduzidas com maior facilidade.
- ▶ **Utilizar a ferramenta elétrica, acessórios, ferramentas de aplicação, etc. conforme estas instruções. Considerar as condições de trabalho e a tarefa a ser executada.** A utilização de ferramentas elétricas para outras tarefas a não ser as aplicações previstas, pode levar a situações perigosas.

Serviço

- ▶ **Só permita que o seu aparelho seja reparado por pessoal especializado e qualificado e só com peças de reposição originais.** Desta forma é assegurado o funcionamento seguro do aparelho.

Indicações de segurança para berbequins

- ▶ **Usar proteção auricular ao furar com percussão.** Ruídos podem provocar a perda da audição.
- ▶ **Utilizar os punhos adicionais, se tiverem sido fornecidos com a ferramenta elétrica.** A perda de controlo pode provocar lesões.
- ▶ **Ao executar trabalhos durante os quais podem ser atingidos cabos elétricos ou o próprio cabo de rede só deverá segurar o aparelho pelas superfícies de punho isoladas.** O contacto com um cabo sob tensão também pode colocar sob tensão as peças metálicas do aparelho e levar a um choque elétrico.
- ▶ **Segurar a ferramenta elétrica firmemente com ambas as mãos durante o trabalho e manter uma posição firme.** A ferramenta elétrica é conduzida com segurança com ambas as mãos.
- ▶ **Utilizar detetores apropriados, para encontrar cabos escondidos, ou consulte a companhia elétrica local.** O contacto com cabos elétricos pode provocar fogo e choques elétricos. Danos em tubos de gás podem levar à explosão. A penetração num cano de água causa danos materiais ou pode provocar um choque elétrico.
- ▶ **Desligar imediatamente a ferramenta elétrica, caso a ferramenta de aplicação bloquear. Esteja atento para altos momentos de reação que provoquem um contra-golpe.** A ferramenta de trabalho é bloqueada quando:
 - a ferramenta elétrica é sobrecarregada ou
 - se for emperrada na peça a ser trabalhada.

- ▶ **Fixar a peça a ser trabalhada.** Uma peça a ser trabalhada fixa com dispositivos de aperto ou com torno de bancada está mais firme do que segurada com a mão.
- ▶ **Esperar a ferramenta elétrica parar completamente, antes de depositá-la.** A ferramenta de aplicação pode emperrar e levar à perda de controlo sobre a ferramenta elétrica.

Descrição do produto e da potência



Devem ser lidas todas as indicações de advertência e todas as instruções. O desrespeito das advertências e instruções apresentadas abaixo pode causar choque elétrico, incêndio e/ou graves lesões.

Utilização conforme as disposições

O aparelho é destinado para furar com percussão em tijolos, betão e pedra, assim como furar em madeira, metal, cerâmica e plástico. Aparelhos com regulação eletrónica e marcha à direita/à esquerda também são apropriados para aparafusar e cortar roscas.

Componentes ilustrados

A numeração dos componentes ilustrados refere-se à apresentação da ferramenta elétrica na página de esquemas.

- 1 Mandril de aperto rápido*
- 2 Bucha dianteira
- 3 Bucha traseira
- 4 Comutador "Furar/furar com percussão"
- 5 Tecla de fixação para o interruptor de ligar-desligar
- 6 Interruptor de ligar-desligar
- 7 Roda de ajuste para pré-seleção do número de rotação (GSB 16 RE)
- 8 Comutador do sentido de rotação (GSB 10 RE/GSB 13 RE/GSB 16 RE)
- 9 Tecla para ajuste do esbarro de profundidade*
- 10 Parafuso de orelhas para ajuste do punho adicional*
- 11 Punho adicional (superfície isolada)*
- 12 Esbarro de profundidade*
- 13 Punho (superfície isolada)
- 14 Chave mandril de brocas*
- 15 Mandril de brocas de coroa dentada*
- 16 Porta-pontas universal*
- 17 Bit de aparafusamento*
- 18 Chave de sextavado interno**
- 19 Chave de forqueta**

*Acessórios apresentados ou descritos não pertencem ao volume de fornecimento padrão. Todos os acessórios encontram-se no nosso programa de acessórios.

**de tipo comercial (não incluído no volume de fornecimento)

24 | Português

Dados técnicos

Berbequim de percussão	GSB ...	10	10 RE	13	13 RE	16	16 RE
N.º do produto	3 601 ...	B16 0..	B16 1..	B17 0..	B17 1..	B18 0..	B18 1..
Potência nominal consumida	W	500	500	600	600	701	701
Potência útil	W	250	250	301	301	351	351
N.º de rotações em ponto morto	rpm	2600	0 – 2600	2800	0 – 2800	3000	0 – 3000
máx. n.º de rotação sob carga	rpm	1610	1610	1570	1570	1640	1640
N.º de percussões	min ⁻¹	25700	25700	25070	25070	26270	26270
Binário nominal	Nm	1,5	1,5	1,8	1,8	2,0	2,0
Pré-seleção do número de rotação		-	-	-	-	-	●
Marcha à direita/à esquerda		-	●	-	●	-	●
Ø de gola do veio	mm	43	43	43	43	43	43
máx. Ø de perfuração							
- Betão	mm	10	10	13	13	16	16
- Aço	mm	8	8	10	10	12	12
- Madeira	mm	20	20	25	25	30	30
Faixa de aperto do mandril	mm	1,5 – 10	1,5 – 10	1,5 – 13	1,5 – 13	1,5 – 13	1,5 – 13
Peso conforme EPTA-Procedure 01:2014	kg	1,5	1,5	1,8	1,8	1,9	1,9
Classe de proteção		□/II	□/II	□/II	□/II	□/II	□/II

As indicações valem para tensões nominais [U] de 230 V. Estas indicações podem variar dependendo de tensões inferiores e dos modelos específicos dos países.

Montagem

- ▶ Antes de todos trabalhos na ferramenta elétrica deverá puxar a ficha de rede da tomada.

Punho adicional (veja figura A) (GSB 13/GSB 13 RE/GSB 16/GSB 16 RE)

- ▶ Só utilizar a sua ferramenta elétrica com o punho adicional 11.

O punho adicional 11 pode ser movimentado como desejar, para alcançar uma posição de trabalho segura e livre de fadiga.

Girar o parafuso de orelhas para o ajuste do punho adicional 10 no sentido contrário dos ponteiros do relógio e deslocar o punho adicional 11 para a posição desejada. Em seguida deverá girar o parafuso de orelhas 10 no sentido dos ponteiros do relógio para apertar.

Ajustar a profundidade de perfuração (veja figura A)

Com o esbarro de profundidade 12 é possível determinar a profundidade de perfuração X desejada.

Pressionar a tecla para o ajuste do esbarro de profundidade 9 e colocar o esbarro de profundidade no punho adicional 11.

Puxar o esbarro de profundidade para fora, de modo que a distância entre a ponta da broca e a ponta do esbarro de profundidade corresponda à profundidade de perfuração desejada X.

Troca de ferramenta

Mandril de aperto rápido (veja figura B)

Segurar a bucha traseira 3 do mandril de aperto rápido 1 e girar a bucha dianteira 2 no sentido dos ponteiros do relógio ●, até poder introduzir a ferramenta. Introduzir a ferramenta.

Segurar a bucha traseira 3 do mandril de brocas de aperto rápido 1 e girar a bucha dianteira 2 firmemente com a mão no sentido de rotação ●, até não escutar mais um clique. Isto trava automaticamente o mandril de brocas.

O travamento se solta novamente se, para remover a ferramenta, girar a bucha dianteira 2 no sentido contrário.

Mandril de brocas de coroa dentada (veja figura C)

- ▶ Usar luvas de proteção durante a substituição de ferramentas. O mandril de brocas pode aquecer-se fortemente durante os processos de trabalho.

Abrir o mandril de brocas de coroa dentada 15 girando, até ser possível introduzir a ferramenta. Introduzir a ferramenta.

Introduzir a chave de mandril de brocas 14 nos respetivos orifícios do mandril de coroa dentada 15 e fixar uniformemente a ferramenta.

Ferramentas de aparafusamento (veja figura D)

Se for utilizar pontas de aparafusamento 17, deveria sempre utilizar um suporte universal para pontas 16. Só utilizar bits de aparafusamento apropriados para o cabeçote de aparafusamento.

Para furar, deverá sempre colocar o comutador "Furar/furar com percussão" 4 sobre o símbolo "Furar".

Trocar o mandril de brocas

Desmontar o mandril de brocas (veja figura E)

Para desmontar o mandril de brocas de aperto rápido **1**, introduzir a chave de sextavado interior **18** no mandril de brocas de aperto rápido **1** e aplicar uma chave de forqueta **19** (tam. 12) para reter o veio de acionamento. Colocar a ferramenta elétrica sobre uma base firme, p. ex. uma bancada de trabalho. Segurar firmemente a chave de forqueta **19** e soltar o mandril de brocas de aperto rápido **1** girando a chave de sextavado interior **18** no sentido de rotação **⚙**. Um mandril de brocas de aperto rápido demasiadamente apertado pode ser afrouxado com um leve golpe sobre o lado comprido da chave de mandril de brocas **18**. Remover a chave de sextavado interior do mandril de brocas de aperto rápido e desapareá-lo completamente.

A desmontagem do mandril de coroa dentada **15** é realizado da mesma forma que a do mandril de brocas de aperto rápido.

Montar o mandril de brocas (veja figura F)

A montagem do mandril de brocas de aperto rápido/do mandril de brocas de coroa dentada é realizada em sequência invertida.



O mandril de brocas deve ser apertado com um binário de aprox. 30 – 35 Nm.

Aspiração de pó/de aparas

► Pós de materiais como por exemplo, tintas que contém chumbo, alguns tipos de madeira, minerais e metais, podem ser nocivos à saúde. O contacto ou a inalação dos pós pode provocar reações alérgicas e/ou doenças nas vias respiratórias do utilizador ou das pessoas que se encontram por perto.

Certos pós, como por exemplo pó de carvalho e faia são considerados como sendo cancerígenos, especialmente quando juntos com substâncias para o tratamento de madeiras (cromato, preservadores de madeira). Material que contém asbesto só deve ser processado por pessoal especializado.

- Assegurar uma boa ventilação do local de trabalho.
- É recomendável usar uma máscara de proteção respiratória com filtro da classe P2.

Observe as diretivas para os materiais a serem trabalhados, vigentes no seu país.

► **Evite o acúmulo de pó no local de trabalho.** Pós podem entrar levemente em ignição.

Funcionamento

Colocação em funcionamento

► **Observar a tensão de rede! A tensão da fonte de corrente deve coincidir com a indicada na chapa de identificação da ferramenta elétrica. Ferramentas elétricas marcadas para 230 V também podem ser operadas com 220 V.**

Ajustar o sentido de rotação (veja figuras G – H) (GSB 10 RE / GSB 13 RE / GSB 16 RE)

Com o comutador de sentido de rotação **8** é possível alterar o sentido de rotação da ferramenta elétrica. Com o interruptor de ligar-desligar pressionado **6** isto não é possível.

Marcha à direita: Para furar e atarraxar parafusos, deverá pressionar o comutador de sentido de rotação **8** completamente para a esquerda.

Marcha à esquerda: Para soltar e desatarraxar parafusos e porcas, deverá pressionar o comutador de sentido de rotação **8** completamente para a direita.

Ajustar o tipo de funcionamento



Furar e aparafusar

Colocar o comutador **4** sobre o símbolo "Furar".



Furar com percussão

Colocar o comutador **4** sobre o símbolo "Furar com percussão".

O comutador **4** engata perceptivelmente e também pode ser acionado com o motor em funcionamento.

Ligar e desligar

Para a **colocação em funcionamento** da ferramenta elétrica deverá pressionar o interruptor de ligar-desligar **6** e manter pressionado.

Para **fixar** o interruptor de ligar-desligar **6** deverá premir a tecla de fixação **5**.

Para **desligar** a ferramenta elétrica, deverá soltar o interruptor de ligar-desligar **6** ou se estiver travado com a tecla de fixação **5**, deverá pressionar o interruptor de ligar-desligar **6** por instantes e em seguida soltar novamente.

Para poupar energia só deverá ligar a ferramenta elétrica quando ela for utilizada.

Ajustar o n.º de rotações/n.º de percussões (GSB 10 RE / GSB 13 RE / GSB 16 RE)

O número de rotações/de percussões da ferramenta elétrica ligada pode ser regulado sem escalonamento, dependendo de quanto premir o interruptor de ligar-desligar **6**.

Uma leve pressão sobre o interruptor de ligar-desligar **6** provoca um baixo n.º de rotações/n.º de percussões. Aumentando a pressão, é aumentado o n.º de rotações/n.º de percussões.

Pré-selecionar o n.º de rotações/n.º de percussões (GSB 16 RE)

Com a roda de pré-seleção do número de rotações **7** é possível pré-selecionar o número de oscilações necessário durante o funcionamento.

O n.º de rotações/percussões necessário depende do material e das condições de trabalho e pode ser verificado através de ensaios práticos.

Indicações de trabalho

► **Utilizar os punhos adicionais fornecidos com a ferramenta elétrica.** A perda de controlo sobre a ferramenta elétrica pode levar a lesões.

26 | 中文

► **Segurar a ferramenta elétrica firmemente com ambas as mãos durante o trabalho e manter uma posição firme.** A ferramenta elétrica é conduzida com segurança com ambas as mãos.

Após prolongado trabalho com baixo nº de rotações, deveria permitir que a ferramenta elétrica funcione em vazio durante aprox. 3 minutos com máximo nº de rotações, para poder arrefecer.

Colocar o comutador 4 sobre o símbolo "Furar" para furar ladrilhos. Após perfurar o ladrilho deverá o comutador sobre o símbolo "Furar com percussão" para trabalhar com percussão.

Para trabalhos em betão, pedra e muramentos devem ser utilizadas brocas de metal duro.

Para furar metal só devem ser utilizadas brocas HSS (HSS = aço de corte rápido de alta potência) afiadas e em perfeito estado. O programa de acessórios Bosch garante a respetiva qualidade.

Com o aparelho de afiar brocas (acessório) é possível afiar facilmente brocas helicoidais com um diâmetro de 2,5–10 mm.

GSB 16 RE

Para tarefas que necessitem uma precisão elevada, deverá ser utilizada a coluna de perfuração (acessório).

O torno de bancada de máquina adquirível como acessório possibilita uma fixação segura da peça a ser trabalhada. Isto evita que a peça a ser trabalhada possa virar, provocando acidentes.

Manutenção e serviço**Manutenção e limpeza**

- **Antes de todos trabalhos na ferramenta elétrica deverá puxar a ficha de rede da tomada.**
- **Manter a ferramenta elétrica e as aberturas de ventilação sempre limpas, para trabalhar bem e de forma segura.**

Se for necessário substituir o cabo de conexão, isto deverá ser realizado pela Bosch ou por uma oficina de serviço pós-venda autorizada para todas as ferramentas elétricas Bosch para evitar riscos de segurança.

Serviço pós-venda e consultoria de aplicação

O serviço pós-venda responde às suas perguntas a respeito de serviços de reparação e de manutenção do seu produto, assim como das peças sobressalentes. Desenhos explodidos e informações sobre peças sobressalentes encontram-se em: www.bosch-pt.com

A nossa equipa de consultoria de aplicação Bosch esclarece com prazer todas as suas dúvidas a respeito da compra, aplicação e ajuste dos produtos e acessórios.

Indique para todas as questões e encomendas de peças sobressalentes a referência de 10 dígitos de acordo com a placa de características do produto.

Brasil

Robert Bosch Ltda.
Caixa postal 1195
13065-900 Campinas
Tel.: +55 (0800) 70 45446
www.bosch.com.br/contato

Angola

InvestGlobal
Parque Logístico
Estrada de Viana Km 12
Luanda
Tel.: +212 948 513 580
E-Mail: helderribeiro@investglobal-ang.com

Eliminação

Ferramentas elétricas, acessórios e embalagens devem ser enviados a uma reciclagem ecológica de matérias-primas. Não deitar ferramentas elétricas no lixo doméstico!

Sob reserva de alterações.

中文**安全规章****电动工具通用安全警告**

警告！阅读所有警告和所有说明！ 不遵照以下警告和说明会导致电击、着火和/或严重伤害。

保存所有警告和说明书以备查阅。

在所有下列的警告中术语“电动工具”指市电驱动（有线）电动工具或电池驱动（无线）电动工具。

工作场地的安全

- **保持工作场地清洁和明亮。** 混乱和黑暗的场地会引发事故。
- **不要在易爆环境，如有易燃液体、气体或粉尘的环境下操作电动工具。** 电动工具产生的火花会点燃粉尘或气体。
- **让儿童和旁观者离开后操作电动工具。** 注意力不集中会使操作者失去对工具的控制。

电气安全

- **电动工具插头必须与插座相配。绝不能以任何方式改装插头。** 需接地的电动工具不能使用任何转换插头。未经改装的插头和相配的插座将减少电击危险。
- **避免人体接触接地表面，如管道、散热片和冰箱。** 如果你身体接地会增加电击危险。
- **不得将电动工具暴露在雨中或潮湿环境中。** 水进入电动工具将增加电击危险。

- ▶ **不得滥用电线。绝不能用电线搬运、拉动电动工具或拔出其插头。使电线远离热源、油、锐边或运动部件。** 受损或缠绕的软线会增加电击危险。
- ▶ **当在户外使用电动工具时，使用适合户外使用的外接软线。** 适合户外使用的软线将减少电击危险。
- ▶ **如果在潮湿环境下操作电动工具是不可避免的，应使用剩余电流动作保护器（RCD）。** 使用 RCD 可减小电击危险。

人身安全

- ▶ **保持警觉，当操作电动工具时关注所从事的操作并保持清醒。当你感到疲倦，或在有药物、酒精或治疗反应时，不要操作电动工具。** 在操作电动工具时瞬间的疏忽会导致严重人身伤害。
- ▶ **使用个人防护装置。始终佩戴护目镜。** 安全装置，诸如适当条件下使用防尘面具、防滑安全鞋、安全帽、听力防护等装置能减少人身伤害。
- ▶ **防止意外起动。确保开关在连接电源和 / 或电池盒、拿起或搬运工具时处于关断位置。** 手指放在已接通电源的开关上或开关处于接通时插入插头可能会导致危险。
- ▶ **在电动工具接通之前，拿掉所有调节钥匙或扳手。** 遗留在电动工具旋转零件上的扳手或钥匙会导致人身伤害。
- ▶ **手不要伸展得太长。时刻注意立足点和身体平衡。** 这样在意外情况下能很好地控制电动工具。
- ▶ **着装适当。不要穿宽松衣服或佩戴饰品。让衣服、手套和头发远离运动部件。** 宽松衣服、佩饰或长发可能会卷入运动部件中。
- ▶ **如果提供了与排屑、集尘设备连接的装置，要确保他们连接完好且使用得当。** 使用这些装置可减少尘屑引起的危险。

电动工具使用和注意事项

- ▶ **不要滥用电工工具，根据用途使用适当的电动工具。** 选用适当设计的电动工具会使你工作更有效、更安全。
- ▶ **如果开关不能接通或关断工具电源，则不能使用该电动工具。** 不能用开关来控制的电动工具是危险的且必须进行修理。
- ▶ **在进行任何调节、更换附件或贮存电动工具之前，必须从电源上拔掉插头和 / 或使电池盒与工具脱离。** 这种防护性措施将减少工具意外起动的危险。
- ▶ **将闲置不用的电动工具贮存在儿童所及范围之外，并且不要让不熟悉电动工具或对这些说明不了解的人操作电动工具。** 电动工具在未经培训的用户手中是危险的。
- ▶ **保养电动工具。检查运动件是否调整到位或卡住，检查零件破损情况和影响电动工具运行的其他状况。如有损坏，电动工具应在使用前修理好。** 许多事故由维护不良的电动工具引发。

- ▶ **保持切削刀具锋利和清洁。** 保养良好的有锋利切削刃的刀具不易卡住而且容易控制。
- ▶ **按照使用说明书，考虑作业条件和进行的作业来使用电动工具、附件和工具的刀头等。** 将电动工具用于那些与其用途不符的操作可能会导致危险。

维修

- ▶ **将你的电动工具送交专业维修人员，使用同样的备件进行修理。** 这样将确保所维修的电动工具的安全性。

针对电钻的安全规章

- ▶ **使用冲击电钻时要戴好耳罩。** 暴露在噪声中会引起听力损伤。
- ▶ **使用随工具提供的辅助手柄。** 操作失手会引起人身伤害。
- ▶ **当在钻削附件可能触及暗线或其自身软线之处进行操作时，要通过绝缘握持面来握持工具。** 钻削附件碰到带电导线会使工具外露的金属零件带电从而使操作者受到电击。
- ▶ **工作时必须用双手握紧电动工具，并且要确保立足稳固。** 使用双手比较能够握稳电动工具。
- ▶ **使用合适的侦测装置侦察隐藏的电线，或者向当地的相关单位寻求支援。** 接触电线可能引起火灾并让操作者触电。损坏了瓦斯管会引起爆炸。凿穿水管不仅会造成严重的财物损失，也可能导致触电。
- ▶ **如果安装在机器上的工具被夹住了，必须马上关闭电动工具并保持镇静。此时机器会产生极高的反应力矩，并进而造成回击。** 安装在机器上的工具容易被夹住如果：
 - 电动工具超荷了，或者
 - 安装在机器上的工具在工件中歪斜了。
- ▶ **固定好工件。** 使用固定装置或老虎钳固定工件，会比用手握工件更牢固。
- ▶ **等待电动工具完全静止后才能够放下机器。** 机器上的工具可能在工作中被夹住，而令您无法控制电动工具。

产品和功率描述



阅读所有的警告提示和指示。如未确实遵循警告提示和指示，可能导致电击，火灾并且 / 或其他的严重伤害。

按照规定使用机器

本机器适合在砖块、混凝土和石材上进行冲击钻。另外也可以在木材、金属、陶瓷和塑料上钻孔。配备电子调速装备和正 / 逆转功能的机型，也能够鬆 / 紧螺丝和攻牙。

28 | 中文

插图上的机件

机件的编号和电动工具详解图上的编号一致。

- 1 快速夹头*
- 2 前套筒
- 3 后套筒
- 4 "正常钻 / 冲击钻" 的转换开关
- 5 起停开关的锁紧键
- 6 起停开关
- 7 设定转速的指拨轮 (GSB 16 RE)
- 8 正逆转开关
(GSB 10 RE / GSB 13 RE / GSB 16 RE)
- 9 调整深度尺的按键*

- 10 调整辅助手柄的蝶翼螺丝*
- 11 辅助手柄 (绝缘握柄)*
- 12 深度尺*
- 13 手柄 (绝缘握柄)
- 14 夹头扳手*
- 15 齿环夹头*
- 16 通用批嘴连杆*
- 17 螺丝批嘴*
- 18 内六角扳手**
- 19 开口扳手**

*图表或说明上提到的附件，并不包含在基本的供货范围中。
本公司的附件清单中有完整的附件供应项目。

**可以在市面上购得 (不包含在供货范围中)。

技术数据

冲击电钻	GSB ...	10	10 RE	13	13 RE	16	16 RE
物品代码	3 601 ...	B16 0..	B16 1..	B17 0..	B17 1..	B18 0..	B18 1..
额定输入功率	瓦	500	500	600	600	701	701
输出功率	瓦	250	250	301	301	351	351
无负载转速	次 / 分	2600	0 - 2600	2800	0 - 2800	3000	0 - 3000
最大负载转速	次 / 分	1610	1610	1570	1570	1640	1640
冲击次数	次 / 分	25700	25700	25070	25070	26270	26270
额定扭力	牛·米	1,5	1,5	1,8	1,8	2,0	2,0
设定转速		-	-	-	-	-	●
正 / 逆转功能		-	●	-	●	-	●
主轴颈直径	毫米	43	43	43	43	43	43
最大钻孔直径							
- 混凝土	毫米	10	10	13	13	16	16
- 钢	毫米	8	8	10	10	12	12
- 木材	毫米	20	20	25	25	30	30
夹头的夹紧范围	毫米	1,5 - 10	1,5 - 10	1,5 - 13	1,5 - 13	1,5 - 13	1,5 - 13
重量符合 EPTA—Procedure 01:2014	公斤	1,5	1,5	1,8	1,8	1,9	1,9
绝缘等级		□/II	□/II	□/II	□/II	□/II	□/II

本说明书提供的参数是以 230 V 为依据，于低电压地区，此数据有可能不同。

安装

▶ **维修电动工具或换装零件之前，务必从插座上拔出插头。**

辅助手柄 (参考插图 A)

(GSB 13 / GSB 13 RE / GSB 16 / GSB 16 RE)

▶ **操作电动工具时务必使用辅助手柄 11。**

您可以根据需要改变辅助手柄 11 的位置，以提高工作安全和增加工作的舒适性。

朝着逆时针的方向拧转调整辅助手柄的蝶翼螺丝 10，把辅助手柄 11 摆动到需要的位置上，接著再顺着时钟的转向拧紧调整辅助手柄的蝶翼螺丝 10。

调整钻深 (参考插图 A)

使用深度尺 12 可以设定需要的钻深 X。

按下调整深度尺的按键 9，再把深度尺装入辅助手柄 11 中。

适当调整深度尺，从钻咀尖端到深度尺尖端的距离必须和需要的钻深 X 一致。

更换工具

快速夹头 (参考插图 B)

握紧快速夹头 1 的后套筒 3, 朝着 ❶ 的方向拧转前套筒 2, 必须拧转至能够装入工具为止。安装好工具。

握牢快速夹头 1 上的后套筒 3, 接著再朝着转向 ❷ 用力地拧转前套筒 2, 必须拧转至不再听见齿轮滑开的摩擦声为止。此时夹头已经自动锁定。

当您在拆卸工具时, 反向拧转前套筒 2, 锁定便自动解除。

齿环夹头 (参考插图 C)

▶ **更换工具时必须佩戴手套。** 长期工作之后夹头会变得十分炽热。

转动齿环夹头 15 至能够装入工具为止, 安装好工具。

把夹头扳手 14 插入夹头 15 上的收紧孔中, 並正确地夹紧工具。

起子机的工具 (参考插图 D)

以螺丝批嘴 17 作业时, 一定要使用通用批嘴连杆 16。只能选用能够配合螺丝头的螺丝批嘴。

旋转螺丝时必须把 "正常钻 / 冲击钻" 的转换开关 4 调整到 "正常钻" 的符号上。

更换夹头

拆卸夹头 (参考插图 E)

拆卸快速夹头 1 时必须把内六角扳手 18 固定在快速夹头 1 上。并且把开口扳手 19 (开口 12 毫米) 固定在主轴上的扳手安装位置。把电动工具放在稳固的底座上, 例如工作台。握牢开口扳手 19, 朝着转向 ❶ 拧转内六角扳手 18 便可以放松快速夹头 1。如果快速夹头卡住了, 轻敲内六角扳手 18 的长端便可以放松夹头。从快速夹头上拔出内六角扳手, 接著再拧转取出快速夹头。

採用拆卸快速夹头的方式, 拆卸齿环夹头 15。

安装夹头 (参考插图 F)

以相反的步骤安装快速夹头 / 齿环夹头。



使用约 30 - 35 牛顿米的拉紧扭力拧紧夹头。

吸锯尘 / 吸锯屑

▶ 含铅的颜料以及某些木材、矿物和金属的加工废尘有害健康。机器操作者或者工地附近的人如果接触、吸入这些废尘, 可能会有过敏反应或者感染呼吸道疾病。

某些尘埃 (例如加工橡木或山毛榉的废尘) 可能导致癌, 特别是和处理木材的添加剂 (例如木材的防腐剂等) 结合之后。只有经过专业训练的人才能够加工含石棉的物料。

- 工作场所要保持空气流通。
- 最好佩戴 P2 滤网等级的口罩。

请留心并遵守贵国和加工物料有关的法规。

▶ **避免让工作场所堆积过多的尘垢。** 尘埃容易被点燃。

操作

操作机器

▶ **注意电源的电压! 电源的电压必须和电动工具铭牌上标示的电压一致。**

改变转向 (参考插图 G-H)

(GSB 10 RE / GSB 13 RE / GSB 16 RE)

使用正逆转开关 8 可以改变机器的转向。如果按住了起停开关 6, 则无法改变转向。

正转: 适用于正常钻和转紧螺丝时, 把正逆转开关 8 向左推到底。

逆转: 适用于放松 / 转出螺丝和螺母, 把正逆转开关 8 向右推到底。

设定操作模式



正常钻和旋转螺丝

把转换开关 4 调整到 "正常钻" 的符号上。



冲击钻

把转换开关 4 设定在 "冲击钻" 的符号上。

在设定的过程中, 可以明显地感觉到转换开关 4 齿合。机器运作中也可以进行调整。

开动 / 关闭

操作 电动工具时先按下电动工具的起停开关 6, 并持续按着。

按下锁紧键 5 即可**锁定**被按住的起停开关 6。

放开起停开关 6 即可**关闭**电动工具。如果起停开关被锁紧键 5 固定了, 先按下起停开关 6 並随即将其放开。

为了节约能源, 只在当您使用机器时, 才开动电动工具。

调整转速 / 冲击次数

(GSB 10 RE / GSB 13 RE / GSB 16 RE)

隨著在起停开关 6 上施压大小, 可以无级式地提高或降低转速 / 冲击次数。

轻按起停开关 6, 机器以低转速 / 冲击次数运作。增强施加在起停开关上的压力, 可以提高机器的转速 / 冲击次数。

设定转速 / 冲击次数 (GSB 16 RE)

使用指拨轮 7 可以设定需要的转速 / 冲击次数。即使在机器运作中也可以改变转速 / 冲击次数。

30 | 中文

正确的转速 / 冲击次数必须视加工物料和工作状况而定，唯有实际操作才能够得到最合适的结果。

有关操作方式的指点

- ▶ **先关闭电动工具，然后再把工具放置在螺母 / 螺丝上。** 安装在接头上的工具如果仍继续转动，容易从螺丝头上滑开。
- ▶ **工作时必须用双手握紧电动工具，并且要确保立足稳固。** 使用双手比较能够握稳电动工具。

在机器以低转速长期运作之后，可让机器在空载的状况下，以最高转速旋转 3 分钟，以加速冷却。

在瓷砖上钻孔时，必须把转换开关 4 调整在“正常钻”的符号上。待穿透瓷砖后，再把转换开关调整在“冲击钻”的符号上，并以冲击钻的功能继续作业。

在混凝土、石材和砖墙上钻孔时，必须使用硬金属钻头。

在金属上钻孔时只能使用完好，经过研磨的 HSS 钻头（HSS = 高效率高速钢）。在博世的附件产品系列中，有符合这个品质等级的产品。

使用钻头研磨器（参考附件），可轻易地补磨 2,5-10 毫米的麻花钻头。

GSB 16 RE

进行精密的钻孔工作时，最好使用钻床架（参考附件）。

机器台钳属于附件，能够牢牢地夹住工件。它可以避免工件滑动，并能够防止因为工件走滑而发生的意外。

维修和服务**维修和清洁**

- ▶ **维修电动工具或换装零件、配件之前，务必从插座上拔出插头。**
- ▶ **电动工具和通风间隙都必须保持清洁，这样才能提高工作品质和安全性。**

如果必须更换连接线，务必把这项工作交给博世或者经授权的博世电动工具顾客服务执行，以避免危害机器的安全性能。

顾客服务处和顾客咨询中心

本公司顾客服务处负责回答有关本公司产品的修理、维护和备件的问题。以下的网页中有爆炸图 and 备件的资料：

www.bosch-pt.com

博世顾客咨询团队非常乐意为您解答有关本公司产品及附件的问题。

如需查询和订购备件，请务必提供产品型号铭牌上的 10 位数货号。

有关保证，维修或更换零件事宜，请向合格的经销商查询。

中国大陆

博世电动工具（中国）有限公司
中国 浙江省 杭州市
滨江区滨康路 567 号
邮政编码：310052
免费服务热线：4008268484
传真：(0571) 87774502
电邮：contact_ptcn@cn.bosch.com
www.bosch-pt.com.cn

羅伯特·博世有限公司
香港北角英皇道 625 號 21 樓
客戶服務熱線：+852 2101 0235
傳真：+852 2590 9762
電郵：info@hk.bosch.com
網站：www.bosch-pt.com.hk

制造商地址：

Robert Bosch Power Tools GmbH
罗伯特·博世电动工具有限公司
70538 Stuttgart / GERMANY
70538 斯图加特 / 德国

处理废弃物

必须以符合环保的方式，回收再利用损坏的机器、附件和废弃的包装材料。

不可以把电动工具丢入家庭垃圾中！

保留修改权。**中文****安全規章****電動工具通用安全警告**

警告 閱讀所有警告和所有說明。不遵照以下警告和說明會導致電擊、著火和 / 或嚴重傷害。

保存所有警告和說明書以備查閱。

在所有下列的警告中術語“電動工具”指市電驅動（有線）電動工具或電池驅動（無線）電動工具。

工作場地的安全

- ▶ **保持工作場地清潔和明亮。** 混亂和黑暗的場地會引發事故。
- ▶ **不要在易爆環境，如有易燃液體、氣體或粉塵的環境下操作電動工具。** 電動工具產生的火花會點燃粉塵或氣體。

- ▶ 讓兒童和旁觀者離開後操作電動工具。注意力不集中會使你失去對工具的控制。

電氣安全

- ▶ 電動工具插頭必須與插座相配。絕不能以任何方式改裝插頭。需接地的電動工具不能使用任何轉換插頭。未經改裝的插頭和相配的插座將減少電擊危險。
- ▶ 避免人體接觸接地表面，如管道、散熱片和冰箱。如果你身體接地會增加電擊危險。
- ▶ 不得將電動工具暴露在雨中或潮濕環境中。水進入電動工具將增加電擊危險。
- ▶ 不得濫用電線。絕不能用電線搬運、拉動電動工具或拔出其插頭。使電線遠離熱源、油、銳邊或運動部件。受損或纏繞的軟線會增加電擊危險。
- ▶ 當在戶外使用電動工具時，使用適合戶外使用的外接軟線。適合戶外使用的軟線，將減少電擊危險。
- ▶ 如果在潮濕環境下操作電動工具是不可避免的，應使用剩餘電流動作保護器（RCD）。使用 RCD 可減少小電擊危險。

人身安全

- ▶ 保持警覺，當操作電動工具時關注所從事的操作並保持清醒。當你感到疲倦，或在有藥物、酒精或治療反應時，不要操作電動工具。在操作電動工具時瞬間的疏忽會導致嚴重人身傷害。
- ▶ 使用個人防護裝置。始終佩戴護目鏡。安全裝置，諸如適當條件下使用防塵面具、防滑安全鞋、安全帽、聽力防護等裝置能減少人身傷害。
- ▶ 防止意外起動。確保開關在連接電源和 / 或電池盒、拿起或搬運工具時處於關斷位置。手指放在已接通電源的開關上或開關處於接通時插入插頭可能會導致危險。
- ▶ 在電動工具接通之前，拿掉所有調節鑰匙或扳手。遺留在電動工具旋轉零件上的扳手或鑰匙會導致人身傷害。
- ▶ 手不要伸展得太長。時刻注意立足點和身體平衡。這樣在意外情況下能很好地控制電動工具。
- ▶ 著裝適當。不要穿寬鬆衣服或佩戴飾品。讓你的衣服、手套和頭髮遠離運動部件。寬鬆衣服、佩飾或長髮可能會捲入運動部件中。
- ▶ 如果提供了與排屑、集塵設備連接用的裝置，要確保他們連接完好且使用得當。使用這些裝置可減少塵屑引起的危險。

電動工具使用和注意事項

- ▶ 不要濫用電動工具，根據用途使用適當的電動工具。選用適當設計的電動工具會使你工作更有效、更安全。
- ▶ 如果開關不能接通或關斷工具電源，則不能使用該電動工具。不能用開關來控制的電動工具是危險的且必須進行修理。

- ▶ 在進行任何調節、更換附件或貯存電動工具之前，必須從電源上拔掉插頭和 / 或使電池盒與工具脫開。這種防護性措施將減少工具意外起動的危險。
- ▶ 將閒置不用的電動工具貯存在兒童所及範圍之外，並且不要讓不熟悉電動工具或對這些說明不瞭解的人操作電動工具。電動工具在未經培訓的用戶手中是危險的。
- ▶ 保養電動工具。檢查運動件是否調整到位或卡住，檢查零件破損情況和影響電動工具運行的其他狀況。如有損壞，電動工具應在使用前修理好。許多事故由維護不良的電動工具引發。
- ▶ 保持切削刀具鋒利和清潔。保養良好的有鋒利切削刃的刀具不易卡住而且容易控制。
- ▶ 按照使用說明書，考慮作業條件和進行的作業來使用電動工具、附件和工具的刀頭等。將電動工具用於那些與其用途不符的操作可能會導致危險。

檢修

- ▶ 將你的電動工具送交專業維修人員，必須使用同樣的備件進行更換。這樣將確保所維修的電動工具的安全性。

針對電鑽的安全規章

- ▶ 使用衝擊電鑽時要戴好耳罩。暴露在噪聲中會引起聽力損傷。
- ▶ 如果電動工具提供了輔助手柄便要使用它。操作時失控可能導致傷害。
- ▶ 如果安裝在此裝置上的切割配件可能會在作業期間割到暗藏的電線或自身的電源線，請務必從裝置握把上的絕緣處來握住該裝置。切割配件萬一接觸到帶電導線，可能會連帶使裝置上的金屬部件帶電，進而導致操作者觸電。
- ▶ 工作時必須用雙手握緊電動工具，並且要確保立足穩固。使用雙手比較能夠穩握電動工具。
- ▶ 使用合適的偵測裝置偵察隱藏的電線，或者向當地的相關單位尋求支援。接觸電線可能引起火災並讓操作者觸電。損壞了瓦斯管會引起爆炸。鑿穿水管不僅會造成嚴重的財物損失，也可能導致觸電。
- ▶ 如果安裝在機器上的工具被夾住了，必須馬上關閉電動工具並保持鎮靜。此時機器會產生極高的反應力矩，並進而造成回擊。安裝在機器上的工具容易被夾住如果：
 - 電動工具超荷了，或者
 - 安裝在機器上的工具在工件中歪斜了。
- ▶ 固定好工件。使用固定裝置或老虎鉗固定工件，會比用手持握工件更牢固。
- ▶ 等待電動工具完全靜止後才能夠放下機器。機器上的工具可能在工作中被夾住，而令您無法控制電動工具。

產品和功率描述



閱讀所有的警告提示和指示。如未確實遵循警告提示和指示，可能導致電擊、火災並且 / 或其他的嚴重傷害。

按照規定使用機器

本機器適合在磚塊、混凝土和石材上進行沖擊鑽。另外也可以在木材、金屬、陶瓷和塑料上鑽孔。配備電子調速裝備和正 / 逆轉功能的機型，也能夠鬆 / 緊螺絲和攻牙。

插圖上的機件

機件的編號和電動工具詳解圖上的編號一致。

- 1 快速夾頭*
- 2 前套筒
- 3 後套筒
- 4 " 正常鑽 / 沖擊鑽 " 的轉換開關
- 5 起停開關的鎖緊鍵

- 6 起停開關
- 7 設定轉速的指撥輪 (GSB 16 RE)
- 8 正逆轉開關 (GSB 10 RE / GSB 13 RE / GSB 16 RE)
- 9 調整深度尺的按鍵*
- 10 調整輔助手柄的蝶翼螺絲*
- 11 輔助手柄 (絕緣握柄)*
- 12 深度尺*
- 13 手柄 (絕緣握柄)
- 14 夾頭扳手*
- 15 齒環夾頭*
- 16 通用批嘴連桿*
- 17 螺絲批嘴*
- 18 內六角扳手**
- 19 開口扳手**

*圖表或說明上提到的附件，並不包含在基本的供貨範圍中。本公司的附件清單中有完整的附件供應項目。

**可以在市面上購得 (不包含在供貨範圍中)。

技術性數據

沖擊電鑽	GSB ...	10	10 RE	13	13 RE	16	16 RE
物品代碼	3 601 ...	B16 0..	B16 1..	B17 0..	B17 1..	B18 0..	B18 1..
額定輸入功率	瓦	500	500	600	600	701	701
輸出功率	瓦	250	250	301	301	351	351
無負載轉速	次 / 分	2600	0 - 2600	2800	0 - 2800	3000	0 - 3000
最大負載轉速	次 / 分	1610	1610	1570	1570	1640	1640
沖擊次數	次 / 分	25700	25700	25070	25070	26270	26270
額定扭力	牛頓米	1,5	1,5	1,8	1,8	2,0	2,0
設定轉速		-	-	-	-	-	●
正 / 逆轉功能		-	●	-	●	-	●
主軸頸直徑	毫米	43	43	43	43	43	43
最大鑽孔直徑							
- 混凝土	毫米	10	10	13	13	16	16
- 鋼	毫米	8	8	10	10	12	12
- 木材	毫米	20	20	25	25	30	30
夾頭的夾緊範圍	毫米	1,5 - 10	1,5 - 10	1,5 - 13	1,5 - 13	1,5 - 13	1,5 - 13
重量符合 EPTA-Procedure 01:2014	公斤	1,5	1,5	1,8	1,8	1,9	1,9
絕緣等級		□/II	□/II	□/II	□/II	□/II	□/II

本說明書提供的參數是以 230 伏特為依據。於低電壓地區，此數據有可能不同。

安裝

- ▶ 維修電動工具或換裝零、配件之前，務必從插座上拔出插頭。

輔助手柄 (參考插圖 A)

(GSB 13 / GSB 13 RE / GSB 16 / GSB 16 RE)

- ▶ 操作電動工具時務必使用輔助手柄 11。

您可以根據需要改變輔助手柄 11 的位置，以提高工作安全和增加工作的舒適性。

朝著逆時鐘的方向擰轉調整輔助手柄的蝶翼螺絲 10，把輔助手柄 11 擺動到需要的位置上，接著再順著時鐘的轉向擰緊調整輔助手柄的蝶翼螺絲 10。

調整鑽深 (參考插圖 A)

使用深度尺 12 可以設定需要的鑽深 X。

按下調整深度尺的按鍵 **9**，再把深度尺裝入輔助手柄 **11** 中。

適當調整深度尺，從鑽咀尖端到深度尺尖端的距離必須和需要的鑽深 **X** 一致。

更換工具

快速夾頭（參考插圖 B）

握緊快速夾頭 **1** 的後套筒 **3**，朝著 **①** 的方向擰轉前套筒 **2**，必須擰轉至能夠裝入工具為止。安裝好工具。

握牢快速夾頭 **1** 上的後套筒 **3**，接著再朝著轉向 **②** 用力地擰轉前套筒 **2**，必須擰轉至不再聽見齒輪滑開的摩擦聲為止。此時夾頭已經自動鎖定。

當您在拆卸工具時，反向擰轉前套筒 **2**，鎖定便自動解除。

齒環夾頭（參考插圖 C）

▶ **更換工具時必須佩戴手套。** 長期工作之後夾頭會變得十分熾熱。

轉動齒環夾頭 **15** 至能夠裝入工具為止，安裝好工具。

把夾頭扳手 **14** 插入夾頭 **15** 上的收緊孔中，並正確地夾緊工具。

起子機的工具（參考插圖 D）

以螺絲批嘴 **17** 作業時，一定要使用通用批嘴連桿 **16**。只能選用能夠配合螺絲頭的螺絲批嘴。

旋轉螺絲時必須把“正常鑽 / 沖擊鑽”的轉換開關 **4** 調整到“正常鑽”的符號上。

更換夾頭

拆卸夾頭（參考插圖 E）

拆卸快速夾頭 **1** 時必須把內六角扳手 **18** 固定在快速夾頭 **1** 上。並且把開口扳手 **19**（開口 12 毫米）固定在主軸上的扳手安裝位置。把電動工具放在穩固的底座上，例如工作台。握牢開口扳手 **19**，朝著轉向 **①** 擰轉內六角扳手 **18** 便可以放鬆快速夾頭 **1**。如果快速夾頭卡住了，輕敲內六角扳手 **18** 的長端便可以放鬆夾頭。從快速夾頭上拔出內六角扳手，接著再擰轉取出快速夾頭。

採用拆卸快速夾頭的方式，拆卸齒環夾頭 **15**。

安裝夾頭（參考插圖 F）

以相反的步骤安裝快速夾頭 / 齒環夾頭。



使用約 30 - 35 牛頓米的拉緊扭力擰緊夾頭。

吸鋸塵 / 吸鋸屑

▶ 含鉛的顏料以及某些木材、礦物和金屬的加工廢塵有害健康。機器操作者或者工地附近的人如果接觸、吸入這些廢塵，可能會有過敏反應或者感染呼吸道疾病。

某些塵埃（例如加工橡木或山毛櫸的廢塵）可能致癢，特別是和處理木材的添加劑（例如木材的防腐劑等）結合之後。只有經過專業訓練的人才能夠加工含石棉的物料。

- 工作場所要保持空氣流通。
- 最好佩戴 P2 濾網等級的口罩。

請留心並遵守貴國和加工物料有關的法規。

▶ **避免讓工作場所堆積過多的塵垢。** 塵埃容易被點燃。

操作

操作機器

▶ **注意電源的電壓！** 電源的電壓必須和電動工具銘牌上標示的電壓一致。

改變轉向（參考插圖 G-H）

(GSB 10 RE / GSB 13 RE / GSB 16 RE)

使用正逆轉開關 **8** 可以改變機器的轉向。如果按住了起停開關 **6**，則無法改變轉向。

正轉： 適用於正常鑽和轉緊螺絲時，把正逆轉開關 **8** 向左推到底。

逆轉： 適用於放鬆 / 轉出螺絲和螺母，把正逆轉開關 **8** 向右推到底。

設定操作模式



正常鑽和旋轉螺絲

把轉換開關 **4** 調整到“正常鑽”的符號上。



沖擊鑽

把轉換開關 **4** 設定在“沖擊鑽”的符號上。

在設定的過程中，可以明顯地感覺到轉換開關 **4** 齒合。機器運作中也可以進行調整。

開動 / 關閉

操作 電動工具時先按下電動工具的起停開關 **6**，並持續按著。

按下鎖緊鍵 **5** 即可**鎖定**被按住的起停開關 **6**。

放開起停開關 **6** 即可**關閉**電動工具。如果起停開關被鎖緊鍵 **5** 固定了，先按下起停開關 **6** 並隨即將其放開。

為了節約能源，只在當您要使用機器時，才開動電動工具。

調整轉速 / 沖擊次數

(GSB 10 RE / GSB 13 RE / GSB 16 RE)

隨著在起停開關 **6** 上施壓大小，可以無級式地提高或降低轉速 / 沖擊次數。

34 | 한국어

輕按起停開關 6，機器以低轉速 / 沖擊次數運作。增強施加在起停開關上的壓力，可以提高機器的轉速 / 沖擊次數。

設定轉速 / 沖擊次數 (GSB 16 RE)

使用指撥輪 7，可以設定需要的轉速 / 沖擊次數。即使在機器運作中也可以改變轉速 / 沖擊次數。

正確的轉速 / 沖擊次數必須視加工物料和工作狀況而定，唯有實際操作才能夠得到最合適的結果。

有關操作方式的指點

▶ **先關閉電動工具，然後再把工具放置在螺母 / 螺絲上。** 安裝在接頭上的工具如果仍繼續轉動，容易從螺絲頭上滑開。

▶ **工作時必須用雙手握緊電動工具，並且要確保立足穩固。** 使用雙手比較能夠握穩電動工具。

在機器以低轉速長期運作之後，可讓機器在空載的狀況下，以最高轉速旋轉 3 分鐘，以加速冷卻。

在瓷磚上鑽孔時，必須把轉換開關 4 調整在“正常鑽”的符號上。待穿透瓷磚後，再把轉換開關調整在“沖擊鑽”的符號上，並以沖擊鑽的功能繼續作業。

在混凝土、石材和磚牆上鑽孔時，必須使用硬金屬鑽頭。

在金屬上鑽孔時只能使用完好，經過研磨的 HSS 鑽頭 (HSS = 高效率高速鋼)。在博世的附件產品系列中，有符合這個品質等級的產品。

使用鑽頭研磨器 (參考附件)，可輕易地補磨 2.5-10 毫米的麻花鑽頭。

GSB 16 RE

進行精密的鑽孔工作時，最好使用鑽床架 (參考附件)。

機器台鉗屬於附件，能夠牢牢地夾住工件。它可以避免工件滑動，並能夠防止因為工件走滑而發生的意外。

維修和服務**維修和清潔**

▶ **維修電動工具或換裝零、配件之前，務必從插座上拔出插頭。**

▶ **電動工具和通風間隙都必須保持清潔，這樣才能夠提高工作品質和安全性。**

如果必須更換連接線，務必把這項工作交給博世或者經授權的博世電動工具顧客服務執行，以避免危害機器的安全性能。

顧客服務處和顧客諮詢中心

本公司顧客服務處負責回答有關本公司產品的修理、維護和備件的問題。以下的網頁中有爆炸圖和備件的資料：

www.bosch-pt.com

博世顧客諮詢團隊非常樂意為您解答有關本公司產品及附件的問題。

當您需要諮詢或訂購備用零組件時，請務必提供本品型號銘牌上的 10 位項目編號。

台灣

台灣羅伯特博世股份有限公司

建國北路一段 90 號 6 樓

台北市 10491

電話：(02) 2515 5388

傳真：(02) 2516 1176

www.bosch-pt.com.tw

制造商地址：

Robert Bosch Power Tools GmbH

羅伯特·博世電動工具有限公司

70538 Stuttgart / GERMANY

70538 斯圖加特 / 德國

處理廢棄物

必須以符合環保的方式，回收再利用損壞的機器、附件和廢棄的包裝材料。

不可以把電動工具丟入家庭垃圾中。

保留修改權。**한국어****안전 수칙****전동공구용 일반 안전수칙**

⚠ 경고 모든 안전수칙과 지시 사항을 상세히 읽고 지켜야 합니다. 다음의 안전수칙과 지시 사항을 준수하지 않으면 화재 위험이 있으며 감전 혹은 중상을 입을 수 있습니다.

앞으로의 참고를 위해 이 안전수칙과 사용 설명서를 잘 보관하십시오.

다음에서 사용되는 “전동공구” 라는 개념은 전원에 연결하여 사용하는 전동 기기 (전선이 있는) 나 배터리를 사용하는 전동 기기 (전선이 없는) 를 의미합니다.

작업장 안전

▶ **작업장을 항상 깨끗이 하고 조명을 밝게 하십시오.** 작업장 환경이 어수선하거나 어두우면 사고를 초래할 수 있습니다.

▶ **가연성 유체, 가스 또는 분진이 있어 폭발 위험이 있는 환경에서 전동공구를 사용하지 마십시오.** 전동공구는 분진이나 증기에 점화하는 스파크를 일으킬 수 있습니다.

▶ **전동공구를 사용할 때 구경꾼이나 어린이 혹은 다른 사람이 작업장에 접근하지 못하게 하십시오.** 다른

사람이 주의를 산만하게 하면 기기에 대한 통제를 잃기 쉽습니다.

전기에 관한 안전

- ▶ **전동공구의 전원 플러그가 전원 콘센트에 잘 맞아야 합니다.** 플러그를 조금이라도 변경시켜서는 안됩니다. 접지된 전동공구를 사용할 때 어댑터 플러그를 사용하지 마십시오. 변형되지 않은 플러그와 잘 맞는 콘센트를 사용하면 감전의 위험을 감소할 수 있습니다.
- ▶ **파이프 관, 라디에이터, 레인지, 냉장고와 같은 접지 표면에 물이 닿지 않도록 하십시오.** 물에 닿을 경우 감전될 위험이 높습니다.
- ▶ **전동공구를 비에 맞지 않게 하고 습기 있는 곳에 두지 마십시오.** 전동공구에 물이 들어가면 감전될 위험이 높습니다.
- ▶ **전원 코드를 잡고 전동공구를 운반하거나 걸어 놓아서는 안되며, 콘센트에서 전원 플러그를 뽑을 때 전원 코드를 잡아 당겨서는 절대로 안됩니다.** 전원 코드가 열과 오일에 접촉하는 것을 피하고, 날카로운 모서리나 기기의 가동 부위에 닿지 않도록 주의하십시오. 손상되거나 영긴 전원 코드는 감전을 유발할 수 있습니다.
- ▶ **실외에서 전동공구로 작업할 때는 실외용으로 적당한 연장 전원 코드만을 사용하십시오.** 실외용 연장 전원 코드를 사용하면 감전의 위험을 줄일 수 있습니다.
- ▶ **전동공구를 습기 찬 곳에서 사용해야 할 경우에는 누전 차단기를 사용하십시오.** 누전 차단기를 사용하면 감전 위험을 줄일 수 있습니다.

사용자 안전

- ▶ **신중하게 작업하십시오.** 작업을 할 때 주의를 하며, 전동공구를 사용할 때 경솔하게 행동하지 마십시오. 피로한 상태이거나 약을 복용 및 음주한 후에는 전동공구를 사용하지 마십시오. 전동공구를 사용할 때 잠시라도 주의를 산만해지면 중상을 입을 수 있습니다.
- ▶ **작업자 안전을 위한 장치를 사용하십시오.** 항상 보안경을 착용하십시오. 전동공구의 종류와 사용에 따라 먼지 보호 마스크, 미끄러지지 않는 안전한 신발, 안전모 또는 귀마개 등의 안전한 복장을 하면 상해의 위험을 줄일 수 있습니다.
- ▶ **실수로 기기가 작동되지 않도록 주의하십시오.** 전동공구를 전원에 연결하거나 배터리를 끼우기 전에, 혹은 기기를 들거나 운반하기 전에, 전원 스위치가 꺼져 있는지 다시 확인하십시오. 전동공구를 운반할 때 전원 스위치에 손가락을 대거나 전원 스위치가 켜진 상태에서 전원을 연결하면 사고 위험이 높습니다.
- ▶ **전동공구를 사용하기 전에 조절하는 톨이나 나사 키 등을 빼 놓으십시오.** 회전하는 부위에 있는 톨이나 나사 키로 인해 상처를 입을 수 있습니다.
- ▶ **자신을 과신하지 마십시오.** 불안정한 자세를 피하고 항상 평형한 상태로 작업하십시오. 안정된 자세와 평형한 상태로 작업해야만이 의외의 상황에서 전동공구를 안전하게 사용할 수 있습니다.

- ▶ **알맞은 작업복을 입으십시오.** 헐렁한 복장을 하거나 장신구를 착용하지 마십시오. 머리카락이나 옷 또는 장갑이 가동하는 기기 부위에 가까이 닿지 않도록 주의하십시오. 헐렁한 복장, 장신구 혹은 긴 머리카락은 가동 부위에 말려 사고를 초래할 수 있습니다.
- ▶ **분진 추출장치나 수거장치의 조립이 가능한 경우, 이 장치가 연결되어 있는지, 제대로 작동이 되는지 확인하십시오.** 이러한 분진 추출장치를 사용하면 분진으로 인한 사고 위험을 줄일 수 있습니다.

전동공구의 올바른 사용과 취급

- ▶ **기기를 과부하 상태에서 사용하지 마십시오.** 작업할 때 이에 적당한 전동공구를 사용하십시오. 알맞은 전동공구를 사용하면 지정된 성능 한도 내에서 더 효율적으로 안전하게 작업할 수 있습니다.
- ▶ **전원 스위치가 고장 난 전동공구를 사용하지 마십시오.** 전원 스위치가 작동되지 않는 전동공구는 위험하므로, 반드시 수리를 해야 합니다.
- ▶ **기기에 세팅을 하거나 액세서리 부품을 교환하거나 혹은 기기를 보관할 때, 항상 전원 콘센트에서 플러그를 미리 빼어 놓으십시오.** 이러한 조치는 실수로 전동공구가 작동하게 되는 것을 예방합니다.
- ▶ **사용하지 않는 전동공구는 어린이 손이 닿지 않는 곳에 보관하고, 전동공구 사용에 익숙지 않거나 이 사용 설명서를 읽지 않은 사람은 기기를 사용해서는 안됩니다.** 경험이 없는 사람이 전동공구를 사용하면 위험합니다.
- ▶ **전동공구를 조심스럽게 관리하십시오.** 가동 부위가 하자 없이 정상적인 기능을 하는지, 걸리는 부위가 있는지, 혹은 전동공구의 기능에 중요한 부품이 손상되지 않았는지 확인하십시오. 손상된 기기의 부품은 전동공구를 다시 사용하기 전에 반드시 수리를 맡기십시오. 제대로 관리하지 않은 전동공구의 경우 많은 사고를 유발합니다.
- ▶ **절단 공구를 날카롭고 깨끗하게 관리하십시오.** 날카로운 절단면이 있고 잘 관리된 절단공구는 걸리는 경우가 드물고 조절하기도 쉽습니다.
- ▶ **전동공구, 액세서리, 장착하는 공구 등을 사용할 때, 이 지시 사항과 특별히 기종 별로 나와있는 사용 방법을 준수하십시오.** 이때 작업 조건과 실시하려는 작업 내용을 고려하십시오. 원래 사용 분야가 아닌 다른 작업에 전동공구를 사용할 경우 위험한 상황을 초래할 수 있습니다.

서비스

- ▶ **전동공구 수리는 반드시 전문 인력에게 맡기고, 수리 정비 시 보쉬 순정 부품만을 사용하십시오.** 그렇게 함으로써 기기의 안전성을 오래 유지할 수 있습니다.

드릴 머신용 안전 수칙

- ▶ **임팩트 드릴작업을 할 때 귀마개를 착용하십시오.** 소음으로 인해 청각을 상실할 수 있습니다.

36 | 한국어

- ▶ **보조 손잡이가 전동공구와 함께 공급되는 경우 이를 사용하십시오.** 통제를 잃게되면 상해를 입을 수 있습니다.
- ▶ **작업 시, 보이지 않는 전선이나 기기 자체의 코드에 닿을 위험이 있으면 전동공구 손잡이의 절연된 부분을 잡으십시오.** 전류가 흐르는 전선에 기기가 닿을 경우 기기 금속 부위에도 전류가 흘러 감전 위험이 있습니다.
- ▶ **전동공구를 두 손으로 꼭 잡고 안전한 자세로 작업하십시오.** 전동공구는 두 손으로 사용하면 더 안전합니다.
- ▶ **보이지 않는 배관 설비를 확인하려면 적당한 탐지기를 사용하거나 담당 에너지 공급회사에 문의하십시오.** 전선에 접하게 되면 화재나 전기 충격을 야기할 수 있습니다. 가스관을 손상시키면 폭발 위험이 있습니다. 수도관을 파손하게 되면 재산 피해를 유발하거나 전기 충격을 야기할 수 있습니다.
- ▶ **툴 홀더에 끼워진 비트가 물리면 즉시 전동공구 스위치를 끄십시오.** 반동을 유발할 수 있는 강한 반동력이 생길 수 있습니다. 툴 홀더에 끼워진 비트는 다음의 경우 물립니다:
 - 전동공구가 과부하된 상태이거나
 - 작업하려는 소재에 걸렸을 경우 물립니다.
- ▶ **작업물을 잘 고정하십시오.** 고정장치나 기계 바이스에 끼워서 작업하면 손으로 잡는 것보다 더 안전합니다.
- ▶ **전동공구를 내려놓기 전에 기기가 완전히 멈추었을 지를 확인하십시오.** 벨트가 걸려 전동공구에 대한 통제가 어려워질 수 있습니다.

제품 및 성능 소개



모든 안전수칙과 지시 사항을 상세히 읽고 지켜야 합니다. 다음의 안전수칙과 지시 사항을 준수하지 않으면 화재 위험이 있으며 감전 혹은 중상을 입을 수 있습니다.

규정에 따른 사용

본 기기는 벽돌 콘크리트 석재에 임팩트 드릴작업, 목재 금속 플라스틱에 드릴작업을 하는 데 사용해야 합니다. 전자 제어 장치와 회전방향 선택 장치가 있는 모델은 스크류작업이나 나사산 절삭작업 (태핑작업) 도 가능합니다.

제품의 주요 명칭

제품의 주요 명칭에 표기되어 있는 번호는 기기 그림이 나와있는 면을 참고하십시오.

- 1 키레스 척*
- 2 슬리브 앞부분
- 3 슬리브 뒷부분
- 4 “드릴 / 임팩트 드릴작업” 선택 스위치
- 5 전원 스위치 잠금 버튼
- 6 전원 스위치
- 7 속도 조절 다이얼 (GSB 16 RE)
- 8 회전방향 선택 스위치 (GSB 10 RE/GSB 13 RE/GSB 16 RE)
- 9 깊이 조절자 조절용 버튼*
- 10 보조 손잡이 조절용 날개 나사*
- 11 보조 손잡이 (절연된 손잡이 부위)*
- 12 깊이 조절자*
- 13 손잡이 (절연된 손잡이 부위)
- 14 드릴 척 키*
- 15 키 타입 척*
- 16 유니버설 비트 홀더*
- 17 스크류 드라이버 비트*
- 18 육각 키**
- 19 양구 스페너**

*도면이나 설명서에 나와있는 액세서리는 표준 공급부품에 속하지 않습니다. 전체 액세서리는 저회 액세서리 프로그램을 참고하십시오.

**시중에서 구매 가능 (표준 공급 부품에 포함되지 않음)

제품 사양

임팩트 드릴	GSB ...	10	10 RE	13	13 RE	16	16 RE
제품 번호	3 601 ...	B16 0..	B16 1..	B17 0..	B17 1..	B18 0..	B18 1..
소비 전력	W	500	500	600	600	701	701
출력	W	250	250	301	301	351	351
무부하 속도	rpm	2600	0-2600	2800	0-2800	3000	0-3000
부하 시 최대 속도	rpm	1610	1610	1570	1570	1640	1640
타격률	min ⁻¹	25700	25700	25070	25070	26270	26270
정격 토크	Nm	1.5	1.5	1.8	1.8	2.0	2.0
속도 설정		-	-	-	-	-	●
역회전 기능		-	●	-	●	-	●
스핀들 칼라 직경	mm	43	43	43	43	43	43

자료는 정격 전압 [U] 230 V 를 기준으로 한 것입니다. 전압이 낮거나 각국의 특수한 모델에 따라 달라질 수 있습니다.

임팩트 드릴	GSB ...	10	10 RE	13	13 RE	16	16 RE
드릴 직경, 최대							
- 콘크리트	mm	10	10	13	13	16	16
- 철재	mm	8	8	10	10	12	12
- 목재	mm	20	20	25	25	30	30
드릴 척 클램핑 범위	mm	1.5-10	1.5-10	1.5-13	1.5-13	1.5-13	1.5-13
EPTA 공정 01:2014 에 따른 중량	kg	1.5	1.5	1.8	1.8	1.9	1.9
안전 등급		□/II	□/II	□/II	□/II	□/II	□/II

자료는 정격 전압 [U] 230 V 를 기준으로 한 것입니다. 전압이 낮거나 각국의 특수한 모델에 따라 달라질 수 있습니다.

조립

- ▶ **전동공구를 보수 정비하기 전에 반드시 콘센트에서 전원 플러그를 빼십시오.**

보조 손잡이 (그림 A 참조) (GSB 13/GSB 13 RE/GSB 16/ GSB 16 RE)

- ▶ **반드시 보조 손잡이 11 을 장착하여 전동공구를 사용하십시오.**

보조 손잡이 11 을 안전하고 피로가 적은 자세로 작업할 수 있도록 모든 위치로 움직여 조립할 수 있습니다.

보조 손잡이 조절용 날개 나사를 10 을 시계 반대 방향으로 돌리고 보조 손잡이 11 을 원하는 위치로 움직입니다. 그리고 나서 날개 나사 10 을 시계 방향으로 돌려 다시 조입니다.

천공 깊이 조절하기 (그림 A 참조)

원하는 천공 깊이 X 는 깊이 조절자 12 로 조절할 수 있습니다.

깊이 조절자 조절용 버튼 9 를 누르고 깊이 조절자를 보조 손잡이 11 안으로 밀어 넣습니다.

드릴 비트의 끝과 깊이 조절자의 끝 부위의 간격이 원하는 천공 깊이 X 가 될 때까지 깊이 조절자를 잡아 당깁니다.

액세서리의 교환

키레스 척 (그림 B 참조)

키레스 척 1 의 슬리브 뒷부분 3 을 꽉 잡고 비트가 끼워질 정도까지 슬리브 앞부분 2 를 ① 회전 방향으로 돌립니다. 비트를 끼우십시오.

키레스 척 1 의 슬리브 뒷부분 3 을 꽉 잡고 슬리브 앞부분 2 를 더 이상 걸리는 소리가 나지 않을 때까지 손으로 힘껏 ② 방향으로 돌리십시오. 이렇게 하면 드릴 척이 자동으로 잠기게 됩니다.

비트를 탈착하기 위해 슬리브 앞부분 2 를 반대 방향으로 돌리면 잠금 상태가 다시 해제됩니다.

키 타입 척 (그림 C 참조)

- ▶ **비트를 교환할 때 보호 장갑을 착용하십시오.** 장시간 작업을 하면 드릴 척이 과열될 수 있습니다.

키 타입 척 15 를 비트가 끼워질 수 있을 정도 까지 돌려 열어 준 다음에 비트를 끼웁니다.

척 키 14 를 해당하는 키 타입 척 15 의 구멍에 끼우고 비트를 일정하게 고정합니다.

스크류 드라이버 비트 (그림 D 참조)

스크류 드라이버 비트 17 로 작업할 때, 반드시 유니버설 비트 홀더 16 을 사용해야 합니다. 나사못 머리에 맞는 스크류 드라이버 비트만을 사용하십시오.

스크류작업을 하려면 “드릴 / 임팩트 드릴작업” 선택 스위치 4 가 반드시 “드릴작업” 위치에 있어야 합니다.

드릴 척 교환하기

드릴 척 분해하기 (그림 E 참조)

키레스 척 1 을 탈착하려면 육각 키 18 을 키레스 척 1 안으로 끼우고 양구 스페너 19 (SW 12) 을 구동 스프링들의 키 대는 면에 대십시오. 전동공구를 작업대와 같은 단단한 바닥에 놓으십시오. 양구 스페너 19 를 꽉 잡고 육각 키 18 을 ① 방향으로 돌려 키레스 척 1 을 풀어 줍니다. 꽉 끼워진 키레스 척은 육각 키 18 의 긴 쪽을 가볍게 두드려 주면 풀어 집니다. 육각 키를 키레스 척에서 뺀 후 키레스 척을 돌려 완전히 빼십시오. 키 타입 척 15 도 키레스 척과 같은 방법으로 분해하면 됩니다.

드릴 척 조립하기 (그림 F 참조)

키레스 척 / 키 타입 척 조립은 반대 순서로 하면 됩니다.

! **드릴 척은 약 30-35 Nm 의 고정 토크로 조여야 합니다.**

분진 및 톱밥 추출장치

- ▶ **납 성분을 포함한 페인트나 몇몇 나무 종류, 또는 광물 성분 그리고 철과 같은 재료의 분진은 건강을 해칠 수 있습니다.** 이 분진을 만지거나 호흡할 경우, 사용자나 주변 사람들은 알레르기 반응이나 호흡기 장애를 일으킬 수 있습니다.

떡갈나무나 너도밤나무와 같은 특정한 분진은 암을 유발시키며, 특히 목재 처리용으로 사용되는 부가 원료 (크로마트, 목재 보호제) 와 혼합되면 암을 유발시키게 됩니다. 석면 성분을 포함한 재료는 오직 전문가가 작업을 해야 합니다.

38 | 한국어

- 작업장의 통풍이 잘 되도록 하십시오.
- 필터등급 P2 가 장착된 호흡 마스크를 사용하십시오.

작업용 재료에 관해 국가가 지정한 규정을 고려 하십시오.

▶ **작업장에 분진이 쌓이지 않도록 하십시오.** 분진이 쉽게 발화할 수 있습니다.

작동

기계 시동

▶ **공공 배전 전압에 주의!** 공급되는 전원의 전압은 전동공구의 명판에 표기된 전압과 동일해야 합니다.

**회전방향 설정하기 (그림 G-H 참조)
(GSB 10 RE/GSB 13 RE/GSB 16 RE)**

회전방향 선택 스위치 8 로 기기의 회전 방향을 선택할 수 있습니다. 그러나 전원 스위치 6 이 눌러진 상태에서는 작동이 불가능합니다.

정회전: 드릴작업이나 스크류작업을 하려면 회전방향 선택 스위치 8 을 왼쪽으로 끝까지 밀니다.

역회전: 나사못이나 너트를 느슨하게 하거나 푸는 작업을 하려면, 회전방향 선택 스위치 8 을 오른쪽 끝까지 밀니다.

작동 모드 설정하기



드릴작업 및 스크류작업

선택 스위치 4 를 “드릴작업” 표시에 맞추십시오.



임팩트 드릴작업

선택 스위치 4 를 “임팩트 드릴작업” 표시에 맞춥니다.

선택 스위치 4 는 걸리는 소리가 확실하며, 기기가 작동 중에도 선택이 가능합니다.

전원 스위치 작동

전동공구를 작동하려면 전원 스위치 6 을 누르고 누른 상태를 유지하십시오.

전원 스위치 6 을 누른 상태로 유지하려면, 잠금 버튼 5 를 누르십시오.

전동공구의 스위치를 끄려면 전원 스위치 6 을 놓거나 잠금 버튼 5 로 고정된 경우 전원 스위치 6 을 살짝 눌렀다가 다시 놓습니다.

에너지를 절약하기 위해 전동공구를 사용할 경우에만 스위치를 켜십시오.

**속도 / 타격을 조절하기
(GSB 10 RE/GSB 13 RE/GSB 16 RE)**

전원 스위치 6 에 가하는 힘의 강약에 따라 작동 중에도 전동공구의 속도 / 타격을 무단으로 조절할 수 있습니다.

전원 스위치 6 을 살짝 누르면 낮은 속도 / 타격률로 작동합니다. 좀 더 세게 누르면 속도 / 타격률이 증가합니다.

속도 / 타격을 설정하기 (GSB 16 RE)

속도 조절 다이얼 7 로 원하는 속도 / 타격률을 작동 중에도 선택할 수 있습니다.

필요한 속도 / 타격률은 소재와 작업 조건에 따라 달라 지므로 실제 시험을 통해 결정할 수 있습니다.

사용방법

▶ **전동공구의 스위치가 꺼진 상태에서만 나사못에 대십시오.** 회전하는 드릴 비트가 미끄러질 수 있습니다.

▶ **전동공구를 두 손으로 꼭 잡고 안전한 자세로 작업하십시오.** 전동공구는 두 손으로 사용하면 더 안전합니다.

낮은 속도로 장기간 연속 작업을 했을 경우, 기기를 약 3 분간 무부하 상태에서 최고 속도로 작동시킨 후 식히십시오.

타일에 드릴작업을 하려면 선택 스위치 4 를 “드릴작업” 표시에 맞춥니다. 타일에 구멍을 완전히 뚫을 때까지는 스위치를 “임팩트 드릴작업” 표시로 바꾸거나 임팩트작업을 하면 안 됩니다.

콘크리트 석재 벽돌 등에 작업할 때는 경금속 드릴 비트를 사용하십시오.

금속에 드릴작업을 할 때 항상 하자가 없는 날카로운 HSS 드릴 비트(HSS = 하이 스피드 스틸) 만을 사용하십시오. 보쉬 액세서리 프로그램은 이에 상응하는 품질을 보증합니다.

드릴 비트 연마기(별매 액세서리) 로 직경이 2.5-10 mm 인 트위스트 드릴 비트를 쉽게 연마할 수 있습니다.

GSB 16 RE

특히 정밀한 작업을 할 때는 드릴 스탠드(별매 액세서리) 를 사용하십시오.

액세서리로 구입이 가능한 기계 바이스를 사용하면 작업을 안전하게 고정할 수 있어 작업물이 흔들리거나 이로 인해 생길 수 있는 사고를 방지할 수 있습니다.

보수 정비 및 서비스

보수 정비 및 유지

▶ **전동공구를 보수 정비하기 전에 반드시 콘센트에서 전원 플러그를 빼십시오.**

▶ **안전하고 올바른 작동을 위하여 전동공구와 전동공구의 통풍구를 항상 깨끗이 하십시오.**

연결 코드를 교환해야 할 경우 안전을 기하기 위해 보쉬사나 보쉬 지정 전동공구 서비스 센터에 맡겨야 합니다.

보쉬 AS 및 고객 상담

보쉬는 귀하의 제품 및 수리에 관한 문의를 받고 있습니다.

AS 센터 정보 및 제품에 대한 고객 상담은 하기 고객 콜센터 및 이메일 상담을 이용해주시기 바랍니다.

고객 콜센터 : 080-955-0909

이메일 상담 :

Bosch-pt.hotline@kr.bosch.com

문이나 대체 부품 주문 시에는 반드시 제품 네임 플레이트에 있는 10 자리의 부품번호를 알려 주십시오.

Bosch Korea, RBKR
Mechanics and Electronics Ltd.
PT/SAX-ASA
298 Bojeong-dong Giheung-gu
Yongin-si, Gyeonggi-do, 446-913
Republic of Korea
080-955-0909

처리

기기와 액세서리 및 포장 등은 친환경적인 방법으로 재활용할 수 있도록 분류하십시오.

전동공구를 가정용 쓰레기로 처리하지 마십시오!

위 사항은 사전 예고 없이 변경될 수도 있습니다.

ภาษาไทย

กฎระเบียบเพื่อความปลอดภัย

คำเตือนทั่วไปเพื่อความปลอดภัยในการใช้เครื่องมือไฟฟ้า

! คำเตือน ต้องอ่านคำเตือนเพื่อความปลอดภัยและคำสั่งทั้งหมด การไม่ปฏิบัติตามคำเตือนและคำสั่งอาจเป็นสาเหตุให้ถูกไฟฟ้าดูด เกิดไฟไหม้ และ/หรือได้รับบาดเจ็บอย่างร้ายแรง

เก็บรักษาคำเตือนและคำสั่งทั้งหมดสำหรับเปิดอ่านในภายหลัง

คำว่า "เครื่องมือไฟฟ้า" ในคำเตือนหมายถึง เครื่องมือไฟฟ้าของท่านที่ทำงานด้วยพลังงานไฟฟ้าที่ต่อจากเต้าเสียบ (มีสายไฟฟ้า) และเครื่องมือไฟฟ้าที่ทำงานด้วยพลังงานไฟฟ้าจากแบตเตอรี่ (ไร้สาย)

ความปลอดภัยในสถานที่ทำงาน

- ▶ รักษาสถานที่ทำงานให้สะอาดและมีไฟส่องสว่างดี สถานที่ที่มีมืดหรือรกรุงรังนำมาซึ่งอุบัติเหตุ
- ▶ อย่าใช้เครื่องมือไฟฟ้าในสภาพแวดล้อมที่เสี่ยงต่อการติดระเบิดได้ เช่น ในพื้นที่มีของเหลว แก๊ส หรือฝุ่นที่ติดไฟได้ เมื่อใช้เครื่องมือไฟฟ้าจะเกิดประกายไฟซึ่งอาจจุดฝุ่นหรือไอให้ลุกเป็นไฟได้
- ▶ ขณะใช้เครื่องมือไฟฟ้าทำงาน ต้องกันเด็กและผู้ยืนดูให้ออกห่าง การหันเหความสนใจอาจทำให้ท่านขาดการควบคุมเครื่องได้

ความปลอดภัยเกี่ยวกับไฟฟ้า

- ▶ ปลั๊กของเครื่องมือไฟฟ้าต้องมีขนาดพอดีกับเต้าเสียบ อย่าตัดแปลงหรือแก้ไขตัวปลั๊กอย่างเด็ดขาด อย่าต่อปลั๊กต่อใดๆ เข้ากับเครื่องมือไฟฟ้าที่มีสายดิน ปลั๊กที่

ไม่ตัดแปลงและเต้าเสียบที่เข้ากันช่วยลดความเสี่ยงจากการถูกไฟฟ้าดูด

- ▶ หลีกเลี่ยงไม่ให้ร่างกายสัมผัสกับพื้นผิวของสิ่งของที่ต่อสายดินไว้ เช่น ท่อ เครื่องทำความร้อน เตา และตู้เย็น จะเสี่ยงอันตรายจากการถูกไฟฟ้าดูดมากขึ้นหากกระแสไฟฟ้าวิ่งผ่านร่างกายของท่านลงดิน
- ▶ อย่าวางเครื่องมือไฟฟ้าคาบคนหรือทิ้งไว้ในที่ชื้นและหากนำเข้าไปในเครื่องมือไฟฟ้า จะเพิ่มความเสี่ยงจากการถูกไฟฟ้าดูด
- ▶ อย่าใช้สายไฟฟ้าอย่างผิดๆ อย่าถือเครื่องมือไฟฟ้าที่สาย อย่าใช้สายแฉกเครื่อง หรืออย่าดึงสายไฟฟ้าเพื่อถอดปลั๊กออกจากเต้าเสียบ กันสายไฟฟ้าออกห่างจากความร้อน น้ำมัน ขอบแหลมคม หรือส่วนของเครื่องที่กำลังเคลื่อนไหว สายไฟฟ้าที่ชำรุดหรือพันกันยุ่งเพิ่มความเสี่ยงจากการถูกไฟฟ้าดูด
- ▶ เมื่อใช้เครื่องมือไฟฟ้าทำงานกลางแจ้ง ให้ใช้สายไฟต่อที่ได้รับการรับรองให้ใช้ต่อในที่กลางแจ้งเท่านั้น การใช้สายไฟต่อที่เหมาะสมสำหรับงานกลางแจ้งช่วยลดอันตรายจากการถูกไฟฟ้าดูด

- ▶ หากไม่สามารถหลีกเลี่ยงการใช้เครื่องมือไฟฟ้าทำงานในสถานที่เปียกชื้นได้ ให้ใช้สวิตช์ตัดวงจรเมื่อเกิดการรั่วไหลของไฟฟ้าจากสายดิน การใช้สวิตช์ตัดวงจรเมื่อเกิดการรั่วไหลของไฟฟ้าจากสายดินช่วยลดความเสี่ยงต่อการถูกไฟฟ้าดูด

ความปลอดภัยของบุคคล

- ▶ ท่านต้องอยู่ในสภาพเตรียมพร้อม ระมัดระวังในสิ่งที่กำลังทำอยู่ และมีสติขณะใช้เครื่องมือไฟฟ้าทำงาน อย่าใช้เครื่องมือไฟฟ้าขณะที่ท่านกำลังเหนื่อย หรืออยู่ภายใต้การครอบงำของฤทธิ์ของยาเสพติด แอลกอฮอล์ และยา เมื่อใช้เครื่องมือไฟฟ้าทำงาน ในช่วงเวลาที่ท่านขาดความเอาใจใส่อาจทำให้บุคคลบาดเจ็บอย่างรุนแรงได้
- ▶ ใช้อุปกรณ์ปกป้องร่างกาย สวมแว่นตาป้องกันเสมอ อุปกรณ์ปกป้อง เช่น หมวกกันน็อก รองเท้ากันลื่น หมวกแข็ง หรือประคบหูกันเสียงดัง ที่เลือกใช้ตามความเหมาะสมกับสภาพการทำงาน สามารถลดอันตรายต่อบุคคลได้
- ▶ ป้องกันการติดเครื่องโดยไม่ตั้งใจ ต้องดูให้แน่ใจว่าสวิตช์อยู่ในตำแหน่งปิดก่อนเสียบปลั๊กไฟเข้าไปในเต้าเสียบ และ/หรือใส่แท่งแบตเตอรี่ ชักขึ้นหรือถือเครื่องมือ การถือเครื่องโดยใช้นิ้วหัวที่สวิตช์ หรือเสียบปลั๊กไฟในขณะที่สวิตช์เปิดอยู่ อาจนำไปสู่อุบัติเหตุที่ร้ายแรงได้
- ▶ เอาเครื่องมือปรับแต่งหรือประแจปากตายออกจากเครื่องมือไฟฟ้าก่อนเปิดสวิตช์ เครื่องมือหรือประแจปากตายที่วางอยู่กับส่วนของเครื่องที่กำลังหมุนจะทำให้บุคคลบาดเจ็บได้
- ▶ หลีกเลี่ยงการตั้งท่าที่ผิดปกติ ตั้งท่ายืนที่มั่นคงและวางน้ำหนักให้สมดุลตลอดเวลา ในลักษณะนี้ท่านสามารถควบคุมเครื่องมือไฟฟ้าในสถานการณ์ที่ไม่คาดคิดได้ดีกว่า
- ▶ ใส่เสื้อผ้าที่เหมาะสม อย่าใส่เสื้อผ้าหลวมหรือสวมเครื่องประดับ เอาหมวก เสื้อผ้า และถุงมือออกห่างส่วน

40 | ภาษาไทย

ของเครื่องที่กำลังหมุน เลื่อนฝาหลวม เครื่องประดับ และหมยาอาจเข้าไปติดในส่วนของเครื่องที่กำลังหมุนได้

- ▶ หากต้องต่อเครื่องมือไฟฟ้าเข้ากับเครื่องดูดฝุ่นหรือเครื่องเก็บผง ดูให้แน่ใจว่าการเชื่อมต่อและการใช้งานเป็นไปอย่างถูกต้อง การใช้อุปกรณ์ดูดฝุ่นช่วยลดอันตรายที่เกิดจากฝุ่นได้

การใช้และการดูแลรักษาเครื่องมือไฟฟ้า

- ▶ อย่าใช้เครื่องมือไฟฟ้าอย่างหักโหม ใช้เครื่องมือไฟฟ้าที่ถูกต้องตรงตามลักษณะงาน เครื่องมือไฟฟ้าที่ถูกต้องจะทำงานได้ดีกว่าและปลอดภัยกว่าในระดับสมรรถภาพที่ออกแบบไว้
- ▶ อย่าใช้เครื่องมือไฟฟ้าที่สวิตช์เปิดปิดเสีย เครื่องมือไฟฟ้าที่ไม่สามารถควบคุมการเปิดปิดด้วยสวิตช์ได้ เป็นเครื่องมือไฟฟ้าที่ไม่ปลอดภัยและต้องส่งซ่อมแซม
- ▶ ก่อนปรับแต่งเครื่อง เปลี่ยนอุปกรณ์ประกอบ หรือเก็บเครื่องเข้าที่ ต้องถอดปลั๊กไฟออกจากเต้าเสียบและ/หรือถอดแท่งแบตเตอรี่ออกจากเครื่องมือไฟฟ้า มาตรวจป้องกันเพื่อความปลอดภัยนี้ช่วยลดความเสี่ยงจากการติดเครื่องโดยไม่ได้ตั้งใจ
- ▶ เมื่อเลิกใช้งานเครื่องมือไฟฟ้า ให้เก็บเครื่องไว้ในที่ที่เด็กหยิบไม่ถึง และไม่อนุญาตให้บุคคลที่ไม่คุ้นเคยกับเครื่องหรือบุคคลที่ไม่ได้อ่านคำแนะนำนี้ใช้เครื่องมือไฟฟ้าเป็นของอันตรายหากตกอยู่ในมือของผู้ใช้ที่ไม่ได้รับการฝึกฝน
- ▶ เอาใจใส่ดูแลรักษาเครื่อง ตรวจสอบหาส่วนที่เคลื่อนไหวได้ของเครื่องว่าวางอยู่ตรงแนวหรือติดขัดหรือไม่ ตรวจสอบการแตกหักของชิ้นส่วนและสภาพอื่นใดที่อาจมีผลต่อการทำงานของเครื่องมือไฟฟ้า หากชำรุดต้องส่งเครื่องมือไฟฟ้าพร้อมแท่งก่อนใช้งาน อุปกรณ์เหตุหลายอย่างเกิดขึ้นเนื่องจากดูแลรักษาเครื่องไม่ดีพอ
- ▶ รักษาเครื่องมือตัดให้คมและสะอาด หากบำรุงรักษาเครื่องมือที่มีขอบตัดแหลมคมอย่างถูกต้อง จะสามารถตัดได้ลื่นไม่ติดขัดและควบคุมได้ง่ายกว่า
- ▶ ใช้เครื่องมือไฟฟ้า อุปกรณ์ประกอบ เครื่องมือ และอุปกรณ์อื่นๆ ให้ตรงตามคำแนะนำนี้ และในลักษณะตามที่เครื่องมือไฟฟ้าประเภทนั้นๆ กำหนดไว้ โดยต้องคำนึงถึงเงื่อนไขการทำงานและงานที่จะทำด้วย การใช้เครื่องมือไฟฟ้าทำงานที่ต่างไปจากวัตถุประสงค์การใช้ของเครื่อง อาจนำไปสู่สถานการณ์ที่ไม่อันตรายได้

การบริการ

- ▶ ส่งเครื่องมือไฟฟ้าให้ช่างผู้เชี่ยวชาญตรวจสอบและใช้อะไหล่เปลี่ยนของแท้เท่านั้น ในลักษณะนี้ท่านจะแน่ใจได้ว่าเครื่องมือไฟฟ้าอยู่ในสภาพที่ปลอดภัย

คำแนะนำเพื่อความปลอดภัยสำหรับส่วน

- ▶ สวมอุปกรณ์ป้องกันหูเมื่อเจาะกระแทก การได้รับเสียงดังอาจทำให้สูญเสียการได้ยิน
- ▶ หากด้ามจับเพิ่มจัดส่งมาพร้อมกับเครื่อง ให้ใช้ด้ามจับเพิ่มร่วมด้วย การสูญเสียการควบคุมอาจทำให้บุคคลบาดเจ็บได้
- ▶ เมื่อทำงานในบริเวณที่เครื่องมืออาจสัมผัสกับสายไฟฟ้าที่ซ่อนอยู่หรือสายไฟฟ้าของเครื่อง ต้องจับเครื่องมือไฟฟ้าตรงด้ามจับที่หุ้มฉนวน การสัมผัสกับสายที่มีกระแส

ไฟฟ้าไหลผ่านจะทำให้ส่วนที่เป็นโลหะของเครื่องมือไฟฟ้าเกิดมีกระแสไฟฟ้าด้วย และส่งผลให้ผู้ใช้เครื่องถูกไฟฟ้าดูดได้

- ▶ เมื่อใช้เครื่องทำงาน ต้องใช้มือทั้งสองจับเครื่องให้แน่น และตั้งเท้าขึ้นที่มั่นคงเสมอ เครื่องมือไฟฟ้าสามารถเคลื่อนนำได้มั่นคงกว่าเมื่อใช้มือทั้งสองข้างจับ
- ▶ ใช้เครื่องตรวจที่เหมาะสมตรวจหาท่อ สายไฟฟ้า หรือสายโทรศัพท์ ที่อาจซ่อนอยู่ในบริเวณที่ทำงาน หรือขอความช่วยเหลือจากบริษัทสาธารณูปโภคในท้องถิ่น การสัมผัสกับสายไฟฟ้าอาจทำให้เกิดไฟไหม้หรือถูกไฟฟ้าดูด การทำให้ออกแก๊สเสียอาจทำให้เกิดระเบิด การเจาะเข้าในท่อน้ำทำให้ทรัพย์สินเสียหาย หรืออาจเป็นเหตุให้ถูกไฟฟ้าดูดได้
- ▶ ปิดเครื่องมือไฟฟ้าทันทีที่เครื่องมือที่ใส่อยู่เกิดติดขัด เตรียมตัวรับแรงบดสะทอนสูงที่ทำให้เกิดการตีกลับ เครื่องมือที่ใส่อยู่ติดขัดเนื่องจาก:
 - เครื่องมือไฟฟ้าถูกใช้งานเกินกำลังปกติ หรือ
 - เครื่องมือที่มึนแข็งอยู่ในชิ้นงาน
- ▶ ยึดชิ้นงานให้แน่น การยึดชิ้นงานด้วยเครื่องหนีบหรือแท่นจับจะมั่นคงกว่าการยึดด้วยมือ
- ▶ ก่อนวางเครื่องลงบนพื้นทุกครั้งต้องรอให้เครื่องหยุดนิ่งอยู่กับที่เสมอ มิฉะนั้นเครื่องมือที่ใส่อยู่อาจติดขัดและนำไปสู่การสูญเสียการควบคุมเครื่องมือไฟฟ้า

รายละเอียดผลิตภัณฑ์และข้อมูลจำเพาะ



ต้องอ่านคำเตือนเพื่อความปลอดภัยและคำสั่งทั้งหมด การไม่ปฏิบัติตามคำเตือนและคำสั่งอาจเป็นสาเหตุให้ถูกไฟฟ้าดูด เกิดไฟไหม้ และ/หรือได้รับบาดเจ็บอย่างร้ายแรง

ประโยชน์การใช้งานของเครื่อง

เครื่องนี้ใช้สำหรับเจาะกระแทกในอิฐ คอนกรีต และหิน นอกจากนี้ยังใช้เจาะในไม้ โลหะ และพลาสติก เครื่องที่มีระบบควบคุมอิเล็กทรอนิกส์และการหมุนซ้าย/ขวาสามารถใช้ขันสกรูและตัดเกลียวได้ด้วย

ส่วนประกอบผลิตภัณฑ์

ลำดับเลขของส่วนประกอบผลิตภัณฑ์อ้างอิงถึงส่วนประกอบของเครื่องที่แสดงในหน้าภาพประกอบ

- 1 หัวจับคอกชนิดจับเร็ว*
- 2 ปลอกหน้า
- 3 ปลอกหลัง
- 4 สวิตช์ปรับ "เจาะ/เจาะกระแทก"
- 5 ปุ่มล็อคสวิตช์เปิด-ปิด
- 6 สวิตช์เปิด-ปิด
- 7 ปุ่มตั้งความเร็วรอบล่วงหน้า (GSB 16 RE)
- 8 สวิตช์เปลี่ยนทิศทางการหมุน (GSB 10 RE/GSB 13 RE/GSB 16 RE)
- 9 ปุ่มปรับก้านวัดความลึก*
- 10 น็อตปิกสำหรับปรับตามจับเพิ่ม*

- 11 ด้ามจับเพิ่ม (พื้นผิวจับหุ้มฉนวน)*
 12 ก้านวัดความลึก*
 13 ด้ามจับ (พื้นผิวจับหุ้มฉนวน)
 14 ประแจหัวจับดอก*
 15 หัวจับดอกชนิดมีเฟืองใน*
 16 ด้ามจับดอกทั่วไป*

- 17 ดอกไขควง*
 18 ประแจขันทกเหลี่ยม**
 19 ประแจปากตาย**

*อุปกรณ์ประกอบที่แสดงหรือระบุไม่รวมอยู่ในการจัดส่งมาตรฐาน
 กรุณาดูอุปกรณ์ประกอบทั้งหมดในรายการแสดงอุปกรณ์ประกอบ
 ของเรา

**หาซื้อได้ทั่วไป (ไม่รวมอยู่ในขอบเขตการจัดส่ง)

ข้อมูลทางเทคนิค

ส่วนเจาะกระแทก	GSB ...	10	10 RE	13	13 RE	16	16 RE
หมายเลขสินค้า	3 601 ...	B16 0..	B16 1..	B17 0..	B17 1..	B18 0..	B18 1..
กำลังไฟฟ้าเข้ากำหนด	วัตต์	500	500	600	600	701	701
กำลังไฟฟ้าออก	วัตต์	250	250	301	301	351	351
ความเร็วรอบเดินตัวเปล่า	รอบ/นาที	2600	0–2600	2800	0–2800	3000	0–3000
ความเร็วรอบขณะใช้งาน สูงสุด	รอบ/นาที	1610	1610	1570	1570	1640	1640
อัตรากระแทก	/นาที	25700	25700	25070	25070	26270	26270
กำลังบิดกำหนด	Nm	1.5	1.5	1.8	1.8	2.0	2.0
การตั้งความเร็วรอบล่วงหน้า		–	–	–	–	–	●
การหมุนซ้าย/ขวา		–	●	–	●	–	●
เส้นผ่าศูนย์กลางปลอกแกน	มม.	43	43	43	43	43	43
Ø-การเจาะ สูงสุด							
– คอนกรีต	มม.	10	10	13	13	16	16
– เหล็ก	มม.	8	8	10	10	12	12
– ไม้	มม.	20	20	25	25	30	30
วงหนีบทัวจับดอก	มม.	1.5–10	1.5–10	1.5–13	1.5–13	1.5–13	1.5–13
น้ำหนักตามระเบียบการ-EPTA- Procedure 01:2014	กก.	1.5	1.5	1.8	1.8	1.9	1.9
ระดับความปลอดภัย		□/II	□/II	□/II	□/II	□/II	□/II

ค่าที่ใช้ไม่ได้กับแรงดันไฟฟ้าระบุ [U] 230 โวลต์ ค่าเหล่านี้อาจผิดเพี้ยนสำหรับแรงดันไฟฟ้าที่ต่ำกว่า และ
 โมเดลที่สร้างสำหรับเฉพาะประเทศ

การประกอบ

▶ ดึงปลั๊กไฟออกจากเต้าเสียบก่อนปรับแต่งเครื่อง

ด้ามจับเพิ่ม (ดูภาพประกอบ A) (GSB 13/GSB 13 RE/GSB 16/GSB 16 RE)

▶ ให้ใช้เครื่องมือไฟฟ้าพร้อมด้ามจับเพิ่ม 11 เสมอ
 ท่านสามารถจับด้ามจับเพิ่ม 11 หนึ่งไปยังตำแหน่งใดก็ได้ เพื่อ
 จะได้ทำงานที่มั่นคงและเหนียวแน่น

หมุนน็อตคิกสำหรับปรับด้ามจับเพิ่ม 10 ไปในทิศทางวนเข็มนาฬิกา และตั้งด้ามจับเพิ่ม 11 ไปยังตำแหน่งที่ต้องการ จากนั้นจึงขันน็อตคิก 10 ไปในทิศตามเข็มนาฬิกากลับเข้าให้แน่น

การปรับความลึกเจาะ (ดูภาพประกอบ A)

ความลึกเจาะที่ต้องการ X สามารถตั้งได้ด้วยก้านวัดความลึก 12

กดปุ่มปรับก้านวัดความลึก 9 และสอดก้านวัดความลึกเข้าในด้ามจับเพิ่ม 11

ดันก้านวัดความลึกออกมาจนระยะห่างระหว่างปลายดอกสว่านและปลายก้านวัดความลึกเท่ากับความลึกเจาะที่ต้องการ X

การเปลี่ยนเครื่องมือ

หัวจับดอกชนิดจับเร็ว (ดูภาพประกอบ B)

จับปลอกท้าย 3 ของหัวจับดอกชนิดจับเร็ว 1 ให้แน่น และหมุนปลอกหน้า 2 ไปในทิศทางหมุน ① จนสามารถสอดเครื่องมือได้ จับเครื่องมือใส่เข้าไป

จับปลอกหลัง 3 ของหัวจับดอกชนิดจับเร็ว 1 ให้แน่นและใช้มือหมุนปลอกหน้า 2 ไปตามทิศ ② จนไม่ได้ยินเสียงลั่นอีกต่อไป ในลักษณะนี้หัวจับดอกสว่านจะล็อกโดยอัตโนมัติ เมื่อต้องการถอดเครื่องมือออก ต้องปลดล็อกอีกครั้งโดยหมุนปลอกหน้า 2 ไปในทิศตรงกันข้าม

หัวจับดอกชนิดมีเฟืองใน (ดูภาพประกอบ C)

▶ ใส่ถุงมือป้องกันอันตรายเมื่อเปลี่ยนเครื่องมือ หัวจับดอกจะล็อกอัตโนมัติเมื่อใช้เครื่องทำงานนานๆ

เปิดหัวจับดอกชนิดมีเฟืองใน 15 โดยการหมุนจนสามารถใส่เครื่องมือได้ จับเครื่องมือใส่เข้าไป

42 | ภาษาไทย

ลดประแจหัวจับดอก 14 เข้าในรูที่ลงรอยกับบนหัวจับดอกชนิดมีเฟืองใน 15 และหนีบเครื่องมือเข้าเสมอกัน

เครื่องมือชั่ง (คุณภาพประกอบ D)

เมื่อใช้ดอกไขควง 17 ควรใช้ตามจับดอกทั่วไป 16 ด้วยเสมอ ต้องใช้ไขควงที่มีขนาดพอดีกับหัวสลัก

เมื่อต้องการขันสลัก ให้สลับสวิตช์ปรับ "เจาะ/เจาะกระแทก" 4 ไปที่สัญลักษณ์ "เจาะ" เสมอ

การเปลี่ยนหัวจับดอก**การถอดหัวจับดอก (คุณภาพประกอบ E)**

เมื่อต้องการถอดหัวจับดอกชนิดจับเร็ว 1 ออก ให้หนีบประแจขันหกเหลี่ยม 18 เข้าในหัวจับดอกชนิดจับเร็ว 1 และวางประแจปากตาย 19 (ขนาด 12 มม.) เข้ากับพื้นที่ราบสำหรับ

ประแจบนแกนขั้ว วางเครื่องลงบนที่ค้ำยันที่มั่นคง ต.ย. เช่น ใต้เท้างานของช่าง จับประแจปากตาย 19 อย่างมั่นคง และคลายหัวจับดอกชนิดจับเร็ว 1 ออกโดยหมุนประแจขันหกเหลี่ยม 18 ไปในทิศการหมุน ● คลายหัวจับดอกชนิดจับเร็วที่ติดแน่นออกโดยเคาะที่ปลายด้านยาวของประแจขันหกเหลี่ยม 18 เอาประแจขันหกเหลี่ยมออกจากหัวจับดอกชนิดจับเร็ว และขันหัวจับดอกชนิดจับเร็วออกจนสุด

การถอดหัวจับดอกชนิดมีเฟืองใน 15 ออกให้ทำในลักษณะเดียวกับการถอดหัวจับดอกชนิดจับเร็ว

การประกอบหัวจับดอก (คุณภาพประกอบ F)

การประกอบหัวจับดอกชนิดจับเร็ว/หัวจับดอกชนิดมีเฟืองใน เข้าให้ทำตามลำดับย้อนหลัง



ต้องขันหัวจับดอกเข้าให้แน่นด้วยกำลังบิดการขันประมาณ 30–35 Nm

การดูดฝุ่น/ซีลื้อย

▶ ฝุ่นที่ได้จากวัสดุ เช่น เคลือบผิวที่มีสารตะกั่ว ไม้ยางประเภทแร้ธาตุ และโลหะ อาจเป็นอันตรายต่อสุขภาพ การสัมผัสหรือการหายใจเอาฝุ่นเข้าไปอาจทำให้เกิดปฏิกิริยาแพ้ฝุ่นและ/หรือนำมาซึ่งโรคติดเชื้อระบบหายใจแก่ผู้ใช้เครื่องมือหรือผู้ที่ยืนอยู่ใกล้เคียง

ฝุ่นบางประเภท เช่น ฝุ่นไม้โอ๊ก หรือไม้บีช นับเป็นสารที่ทำให้เกิดมะเร็ง โดยเฉพาะอย่างยิ่งเมื่อผสมกับสารเติมแต่งเพื่อบำบัดไม้ (โครเมต ผลิตภัณฑ์รักษาเนื้อไม้) สำหรับวัสดุที่มีแอลกอฮอล์ต้องให้ผู้เชี่ยวชาญทำงานเท่านั้น

- จัดสถานที่ทำงานให้มีการระบายอากาศที่ดี
- ขอแนะนำให้สวมหน้ากากป้องกันการติดเชื้อที่มีระดับ-ใส่กรอง P2

ปฏิบัติตามกฎข้อบังคับสำคัญอื่นๆ ที่เกี่ยวกับวัสดุชิ้นงานที่บังคับใช้ในประเทศของท่าน

▶ **ป้องกันการสะสมของฝุ่นในสถานที่ทำงาน** ฝุ่นสามารถถูกใหม่อย่างง่ายตาย

การปฏิบัติงาน**เริ่มต้นปฏิบัติงาน**

▶ **ให้สังเกตแรงดันไฟฟ้า! แรงดันไฟฟ้าจากแหล่งจ่ายไฟฟ้าต้องมีค่าตรงกับค่าแรงดันไฟฟ้าที่ระบุไว้บนแผ่นป้ายพิกัดเครื่อง**

การกลับทิศทางการหมุน (คุณภาพประกอบ G–H) (GSB 10 RE/GSB 13 RE/GSB 16 RE)

สวิตช์เปลี่ยนทิศทางการหมุน 8 ใช้สำหรับกลับทิศทางการหมุนของเครื่อง อย่างไรก็ตาม หากกดสวิตช์เปิด-ปิด 6 อยู่ จะกลับทิศทางการหมุนไม่ได้

การหมุนทางขวา: สำหรับการเจาะและขันสลักเข้า ให้สลับสวิตช์เปลี่ยนทิศทางการหมุน 8 ไปทางซ้ายจนสุด

การหมุนทางซ้าย: สำหรับการคลายและขันสลักและน็อตออก ให้กดสวิตช์เปลี่ยนทิศทางการหมุน 8 ไปทางขวาจนสุด

การตั้งวิธีการปฏิบัติงาน**เจาะ และ ขันสลัก**

สลับสวิตช์ปรับ 4 ไปที่สัญลักษณ์ "เจาะ"

**เจาะกระแทก**

สลับสวิตช์ปรับ 4 ไปที่สัญลักษณ์ "เจาะกระแทก"

สวิตช์ปรับ 4 จะลงสลักอย่างเห็นได้ชัด และสามารถกลับขณะเครื่องกำลังเดินอยู่

การเปิด-ปิดเครื่อง

เปิดเครื่องทำงานโดยกดสวิตช์เปิด-ปิด 6 และกดค้างไว้ ล็อคสวิตช์เปิด-ปิด 6 ที่กดค้างไว้ โดยกดปุ่มล็อค สวิตช์เปิด-ปิด 5

ปิดเครื่องโดยปล่อยนิ้วจากสวิตช์เปิด-ปิด 6 หรือในกรณีที่ถูกล็อคด้วยปุ่มล็อค 5 อยู่ ให้กดสวิตช์เปิด-ปิด 6 สั้นๆ และปล่อยนิ้ว

เพื่อประหยัดพลังงาน เปิดสวิตช์เครื่องมือไฟฟ้าเฉพาะเมื่อใช้งานเท่านั้น

การปรับความเร็วรอบ/กระแทก**(GSB 10 RE/GSB 13 RE/GSB 16 RE)**

ท่านสามารถปรับอัตราความเร็วรอบ/กระแทกของเครื่องมือไฟฟ้าที่เปิดสวิตช์ทำงานได้อย่างต่อเนื่อง ทั้งนี้ขึ้นอยู่กับแรงที่กดลงบนสวิตช์เปิด-ปิด 6

กดสวิตช์เปิด-ปิด 6 เบาะจะได้อัตราความเร็วรอบ/กระแทกต่ำ กดสวิตช์แรงขึ้นอัตราความเร็วรอบ/กระแทกจะเพิ่มขึ้น

การตั้งความเร็วรอบ/กระแทกล่วงหน้า (GSB 16 RE)

ความเร็วรอบ/กระแทกที่ต้องการสามารถตั้งล่วงหน้าได้ด้วยปุ่มตั้งความเร็วรอบล่วงหน้า 7 และตั้งได้แม้ขณะเครื่องกำลังเดินอยู่

ความเร็วรอบ/กระแทกที่ต้องใช้ขึ้นอยู่กับประเภทวัสดุและเงื่อนไขการทำงาน และสามารถกำหนดได้จากการทดลองฝึกปฏิบัติ

ข้อแนะนำในการทำงาน

▶ **จับเครื่องมือไฟฟ้าเข้างานหัวสกรู/นอตเมื่อเครื่องปิดอยู่เท่านั้น** เครื่องมือที่หมุนอยู่อาจลื่นไถล

▶ **เมื่อใช้เครื่องมือทำงาน ต้องใช้มือทั้งสองจับเครื่องมือให้แน่น และตั้งทำนบที่มั่นคงเสมอ** เครื่องมือไฟฟ้าสามารถเคลื่อนมาได้มั่นคงกว่าเมื่อใช้มือทั้งสองข้างจับ

หลังจากใช้เครื่องมือด้วยความเร็วต่ำเป็นเวลานาน ต้องทำให้เครื่องเย็นลงโดยปล่อยให้เครื่องเดินตัวเปล่าที่ความเร็วสูงสุดนานประมาณ 3 นาที

เมื่อต้องการเจาะกระเบื้อง ให้ลับสวิตช์ปรับ 4 ไปที่สัญลักษณ์ "เจาะ" อยู่่าลับสวิตช์ไปที่สัญลักษณ์ "เจาะกระแทก" หรือเจาะโดยการกระแทก จนกว่าจะได้เจาะกระเบื้องทะลุแล้ว

เมื่อต้องการเจาะคอนกรีต หิน และกำแพงอิฐ ต้องใช้ดอกสว่านที่ทำจากโลหะแข็ง

ให้ใช้เฉพาะดอกสว่าน HSS (HSS = high-speed steel) ที่ลับคมอย่างดีสำหรับเจาะโลหะ ดอกสว่านที่เป็นอุปกรณ์ประกอบของแท่งของ บ็อช รับประกันคุณภาพการเจาะดอกสว่านเกลียวมีขนาดตั้งแต่ 2.5 - 10 มม สามารถลับได้อย่างง่ายด้วยตัวลิบดอกสว่าน (คู่มืออุปกรณ์ประกอบ)

GSB 16 RE

เราขอแนะนำให้ใช้แท่งเจาะ (คู่มืออุปกรณ์ประกอบ) เมื่อต้องทำงานที่ใช้ความเที่ยงตรงสูง

ปากกาสำหรับจับวัตถุเป็นอุปกรณ์ประกอบ ใช้สำหรับยึดชิ้นงานให้แน่นอยู่กับที่ ช่วยไม่ให้ชิ้นงานหมุนไปมา และป้องกัน อันตราย ที่อาจจะเกิดขึ้นด้วย

การบำรุงรักษาและการบริการ

การบำรุงรักษาและการทำความสะอาด

- ▶ **ดึงปลั๊กไฟออกจากเต้าเสียบก่อนปรับแต่งเครื่อง**
- ▶ **เพื่อให้ทำงานได้อย่างถูกต้องและปลอดภัย ต้องรักษาเครื่องและช่องระบายอากาศให้สะอาดอยู่เสมอ**

เมื่อจำเป็นต้องเปลี่ยนสายไฟฟ้า ให้ส่งเครื่องให้บริษัท บ็อชหรือศูนย์บริการลูกค้าสำหรับเครื่องมือไฟฟ้า บ็อช ที่ได้รับมอบหมายทำการเปลี่ยนให้ เพื่อหลีกเลี่ยงอันตรายด้านความปลอดภัย

การบริการหลังการขายและคำแนะนำการใช้งาน

ศูนย์บริการหลังการขายของเรายินดีตอบคำถามเกี่ยวกับการบำรุงรักษาและการซ่อมแซมผลิตภัณฑ์ของท่าน รวมทั้งชิ้นส่วนอะไหล่ ภาพแยกชิ้นประกอบและข้อมูลเกี่ยวกับชิ้นส่วนอะไหล่ยังสามารถดูได้ใน:

www.bosch-pt.com

ทีมงานให้คำแนะนำการใช้งานของ บ็อช ยินดีตอบคำถามเกี่ยวกับผลิตภัณฑ์ของเราและอุปกรณ์ประกอบของผลิตภัณฑ์

เมื่อต้องการสอบถามและสั่งซื้ออะไหล่ กรุณาแจ้งหมายเลขสินค้า 10 หลักบนแผ่นป้ายรุ่นของผลิตภัณฑ์ทุกครั้ง ในกรณีประกัน ซ่อมแซม หรือซื้อชิ้นส่วนมาเปลี่ยน กรุณาติดต่อ ผู้ขายที่ได้รับแต่งตั้งเท่านั้น

ไทย

บริษัท โรเบิร์ต บ็อช จำกัด
ชั้น 11 ตึกลิเบอร์ตี สแควร์
287 ถนนสีลม บางรัก
กรุงเทพฯ 10500
โทรศัพท์ 02 6393111
โทรสาร 02 2384783
บริษัท โรเบิร์ต บ็อช จำกัด ตู้ ปณ. 2054
กรุงเทพฯ 10501 ประเทศไทย
www.bosch.co.th

ศูนย์บริการซ่อมและฝึกอบรม บ็อช
อาคาร ลาซาลทาวเวอร์ ชั้น G ห้องเลขที่ 2
บ้านเลขที่ 10/11 หมู่ 16
ถนนศรีนครินทร์
ตำบลบางแก้ว อำเภอบางพลี
จังหวัดสมุทรปราการ 10540
ประเทศไทย
โทรศัพท์ 02 7587555
โทรสาร 02 7587525

การกำจัดขยะ

เครื่องมือ อุปกรณ์ประกอบ และที่บ่อ ต้องนำไปแยกประเภทวัสดุเพื่อนำกลับมาใช้ใหม่โดยไม่ทำลายสภาพแวดล้อมอย่างทิ้งเครื่องมือไฟฟ้าลงในขยะบ้าน!

ขอสงวนสิทธิ์ในการเปลี่ยนแปลงโดยไม่ต้องแจ้งล่วงหน้า

Bahasa Indonesia

Petunjuk-Petunjuk untuk Keselamatan Kerja

Petunjuk-Petunjuk Umum untuk Perkakas Listrik

⚠ PERHATIKANLAH Bacalah semua petunjuk-petunjuk untuk keselamatan kerja dan petunjuk-petunjuk untuk penggunaan.

Kesalahan dalam menjalankan petunjuk-petunjuk untuk keselamatan kerja dan petunjuk-petunjuk untuk penggunaan dapat mengakibatkan kontak listrik, kebakaran dan/atau luka-luka yang berat.

Simpanlah semua petunjuk-petunjuk untuk keselamatan kerja dan petunjuk-petunjuk lainnya untuk penggunaan di masa depan.

Kata „perkakas listrik“ yang disebutkan di dalam petunjuk-petunjuk untuk keselamatan kerja adalah sebutan untuk perkakas listrik pakai listrik jaringan (dengan kabel) dan untuk perkakas listrik tenaga baterai (tanpa kabel listrik).

Keselamatan kerja di tempat kerja

- ▶ **Jagalah supaya tempat kerja selalu bersih dan terang.** Tempat kerja yang tidak rapi atau tidak terang dapat mengakibatkan terjadinya kecelakaan.
- ▶ **Janganlah menggunakan perkakas listrik di tempat di mana dapat terjadi ledakan, di mana ada cairan, gas**

44 | Bahasa Indonesia

atau debu yang mudah terbakar. Perkakas listrik dapat memancarkan bunga api yang lalu mengakibatkan debu atau uap terbakar.

- ▶ **Selama menggunakan perkakas listrik, jauhkan anak-anak dan orang-orang lain dari tempat kerja.** Jika konsentrasi terganggu, bisa jadi Anda tidak bisa mengendalikan perkakas listrik tersebut.

Keamanan listrik

- ▶ **Steker dari perkakas listrik harus cocok pada stopkontak. Janganlah sekali-kali merubah steker. Janganlah menggunakan steker perantara bersama dengan perkakas listrik yang mempunyai hubungan arde.** Steker yang tidak dirubah dan stopkontak yang cocok mengurangi bahaya terjadinya kontak listrik.
- ▶ **Jagalah supaya badan Anda tidak bersentuhan dengan permukaan yang mempunyai hubungan arde, misalnya pipa-pipa, radiator pemanas ruangan, kompor listrik dan lemari es.** Ada risiko besar terjadi kontak listrik, jika badan Anda mempunyai hubungan arde.
- ▶ **Jagalah supaya perkakas listrik tidak kena hujan atau menjadi basah.** Air yang masuk ke dalam perkakas listrik menambah risiko terjadinya kontak listrik.
- ▶ **Janganlah menyalah gunakan kabel listrik untuk mengangkat dan menggantungkan perkakas listrik atau untuk menarik steker dari stopkontak. Jagalah supaya kabel listrik tidak kena panas, minyak, pinggiran yang tajam atau bagian-bagian perkakas yang bergerak.** Kabel listrik yang rusak atau tersangkut menambah risiko terjadinya kontak listrik.
- ▶ **Jika Anda menggunakan perkakas listrik di luar gedung, gunakanlah hanya kabel sambungan yang juga cocok untuk pemakaian di luar gedung.** Penggunaan kabel sambungan yang cocok untuk pemakaian di luar gedung mengurangi risiko terjadinya kontak listrik.
- ▶ **Jika penggunaan perkakas listrik di tempat yang basah tidak bisa dihindarkan, gunakanlah sakelar pengaman terhadap arus penyimpangan.** Penggunaan sakelar pengaman terhadap arus penyimpangan mengurangi risiko terjadinya kontak listrik.

Keselamatan kerja

- ▶ **Berhati-hatilah selalu, perhatikanlah apa yang Anda kerjakan dan bekerjalah dengan seksama jika menggunakan perkakas listrik. Janganlah menggunakan perkakas listrik, jika Anda capai atau berada di bawah pengaruh narkoba, minuman keras atau obat.** Jika Anda sekejap mata saja tidak berhati-hati sewaktu menggunakan perkakas listrik, dapat terjadi luka-luka berat.
- ▶ **Pakailah pakaian dan sarana pelindung dan pakailah selalu kaca mata pelindung.** Dengan memakai pakaian dan sarana pelindung, misalnya kedok anti debu (masker), sepatu tertutup yang tidak licin, helm pelindung atau pemalut telinga sesuai dengan pekerjaan yang dilakukan dengan perkakas listrik, bahaya terjadinya luka-luka dapat dikurangi.
- ▶ **Jagalah supaya perkakas listrik tidak dihidupkan secara tidak disengaja. Perhatikan bahwa perkakas**

listrik dalam penyetelan mati, jika steker disambungkan pada pengadaan listrik dan/atau baterai, jika perkakas listrik diangkat atau dibawa. Jika selama mengangkat perkakas listrik jari Anda berada pada tombol untuk menghidupkan dan mematikan atau perkakas listrik yang dalam penyetelan hidup disambungkan pada listrik, dapat terjadi kecelakaan.

- ▶ **Lepaskan semua perkakas-perkakas penyetelan atau kunci-kunci pas sebelum perkakas listrik dihidupkan.** Perkakas atau kunci yang berada di dalam bagian yang berputar dapat mengakibatkan terjadinya luka-luka.
- ▶ **Aturkan badan sedemikian sehingga Anda bisa bekerja dengan aman. Berdirilah secara mantap dan jagalah selalu keseimbangan.** Dengan demikian Anda bisa mengendalikan perkakas listrik dengan lebih baik, jika terjadi sesuatu dengan tiba-tiba.
- ▶ **Pakailah pakaian yang cocok. Janganlah memakai pakaian yang longgar atau perhiasan. Jagalah supaya rambut, pakaian dan sarung tangan tidak masuk dalam bagian-bagian perkakas yang bergerak.** Pakaian yang longgar, rambut panjang atau perhiasan dapat tersangkut dalam bagian perkakas yang bergerak.
- ▶ **Jika ada kemungkinan untuk memasang sarana penghisapan dan penampungan debu, perhatikan bahwa sarana-sarana ini telah dipasangkan dan digunakan dengan betul.** Penggunaan sarana penghisapan bisa mengurangi bahaya yang disebabkan debu.

Penggunaan dan penanganan perkakas listrik dengan seksama

- ▶ **Janganlah membebankan perkakas listrik terlalu berat. Gunakan selalu perkakas listrik yang cocok untuk pekerjaan yang dilakukan.** Dengan perkakas listrik yang cocok Anda bekerja lebih baik dan lebih aman dalam batas-batas kemampuan yang ditentukan.
- ▶ **Janganlah menggunakan perkakas listrik yang tombolnya rusak.** Perkakas listrik yang tidak bisa dihidupkan atau dimatikan, berbahaya dan harus direparasikan.
- ▶ **Tariklah steker dari stopkontak dan/atau keluarkan baterai, sebelum Anda melakukan penyetelan pada perkakas listrik, mengganti alat-alat kerja atau sebelum menyimpan perkakas listrik.** Tindakan keselamatan kerja ini mengurangi bahaya perkakas listrik hidup secara tidak disengaja.
- ▶ **Simpanlah perkakas listrik yang tidak digunakan di luar jangkauan anak-anak. Janganlah mengizinkan orang-orang yang tidak mengenal perkakas listrik ini atau yang belum membaca petunjuk-petunjuk ini, menggunakan perkakas listrik ini.** Perkakas listrik bisa menjadi berbahaya, jika digunakan oleh orang-orang yang tidak mengenalnya.
- ▶ **Rawatlah perkakas listrik dengan seksama. Periksalah, apakah bagian-bagian perkakas listrik yang bergerak berfungsi dengan baik dan tidak tersangkut, apakah ada bagian-bagian yang patah atau rusak sedemikian, sehingga dapat mempengaruhi**

jalannya perkakas listrik. Biarkan bagian-bagian perkakas yang rusak direparasikan, sebelum Anda mulai menggunakan perkakas listrik. Banyak kecelakaan terjadi karena perkakas listrik tidak dirawat dengan seksama.

- ▶ **Perhatikan supaya alat-alat pemotong selalu tajam dan bersih.** Alat-alat pemotong dengan mata-mata pemotong yang tajam dan dirawat dengan seksama tidak mudah tersangkut dan lebih mudah dikendalikan.
- ▶ **Gunakanlah semua perkakas listrik, aksesoris, alat-alat kerja dsb. sesuai dengan petunjuk-petunjuk. Perhatikan syarat-syarat kerja dan macam pekerjaan yang dilakukan.** Penggunaan perkakas listrik untuk macam pekerjaan yang tidak cocok dengan kegunaannya bisa mengakibatkan keadaan yang berbahaya.

Servis

- ▶ **Biarkan perkakas listrik Anda direparasikan hanya oleh orang-orang ahli yang berpengalaman dan hanya dengan menggunakan suku cadang yang asli.** Dengan demikian terjamin keselamatan kerja dengan perkakas listrik ini secara berkesinambungan.

Petunjuk-petunjuk untuk keselamatan kerja untuk mesin bor

- ▶ **Pakailah pemalat telinga selama membor dengan getaran.** Jika Anda mendengar suara bising, daya pendengaran bisa berkurang.
- ▶ **Gunakanlah gagang tambahan-gagang tambahan, jika ini dipasok bersama dengan perkakas listrik.** Perkakas listrik yang tidak bisa dikendalikan bisa mengakibatkan terjadinya luka-luka.
- ▶ **Peganglah perkakas listrik hanya pada pegangan yang terisolir jika Anda melakukan pekerjaan yang memungkinkan alat pemotong ini menjalin kontak dengan kabel listrik yang tidak terlihat atau kabelnya sendiri.** Alat kerja yang bersentuhan dengan kabel yang bertegangan dapat mengakibatkan bagian-bagian logam dari perkakas listrik juga ikut dialiri tegangan arus dan mengakibatkan terjadinya kontak listrik.
- ▶ **Selama digunakan, peganglah perkakas listrik dengan kedua belah tangan dan perhatikanlah supaya Anda berdiri secara teguh.** Perkakas listrik bisa dikendalikan lebih baik jika dipegang dengan kedua belah tangan.
- ▶ **Gunakanlah alat detektor logam yang cocok untuk mencari kabel dan pipa yang tidak terlihat atau lubang perusahaan pengadaan setempat.** Sentuhan dengan kabel-kabel listrik dapat mengakibatkan api dan kontak listrik. Pipa gas yang dirusak dapat mengakibatkan ledakan. Pipa air yang dirusak mengakibatkan kerusakan barang-barang atau dapat mengakibatkan kontak listrik.
- ▶ **Matikanlah segera perkakas listrik, jika alat kerjanya memblok. Berwaspadalah akan terjadinya momen reaksi yang besar yang mengakibatkan bantingan.** Alat kerja memblok jika:
 - perkakas listrik dibebankan terlalu berat atau
 - alat kerja tersangkut dalam benda yang dikerjakan.

- ▶ **Usahakan supaya benda yang dikerjakan tidak goyang.** Benda yang ditahan dalam alat pemegang atau bais lebih mantap daripada benda yang dipegang dengan tangan.
- ▶ **Sebelum meletakkan perkakas listrik, tunggulah sampai perkakas berhenti memutar.** Alat kerja bisa tersangkut dan membuat perkakas listrik tidak bisa dikendalikan.

Penjelasan tentang produk dan daya



Bacalah semua petunjuk-petunjuk untuk keselamatan kerja dan petunjuk-petunjuk untuk penggunaan. Kesalahan dalam menjalankan petunjuk-petunjuk untuk keselamatan kerja dan petunjuk-petunjuk untuk penggunaan dapat mengakibatkan kontak listrik, kebakaran dan/atau luka-luka yang berat.

Penggunaan alat

Mesin ini cocok untuk membor dengan getaran pada batu bata, beton dan batu-batuan serta untuk membor tanpa getaran pada kayu, logam, keramik dan bahan sintetis. Mesin dengan pengendalian secara elektronika dan arah putaran ke kanan/kiri juga cocok untuk menyekrup dan mentap.

Bagian-bagian pada gambar

Nomor-nomor dari bagian-bagian perkakas pada gambar sesuai dengan gambar perkakas listrik pada halaman bergambar.

- 1 Cekaman mata bor yang dikunci dan dibuka dengan tangan*
- 2 Selubung depan
- 3 Selubung belakang
- 4 Sakelar untuk menyatel „tanpa getaran/dengan getaran“
- 5 Tombol pengunci untuk tombol untuk menghidupkan dan mematikan
- 6 Tombol untuk menghidupkan dan mematikan
- 7 Roda untuk penyetelan pendahuluan kecepatan putaran (GSB 16 RE)
- 8 Omsakelar arah putaran (GSB 10 RE/GSB 13 RE/GSB 16 RE)
- 9 Tombol untuk mengganti penyetelan pembatas kedalaman lubang*
- 10 Baut kupu-kupu untuk penyetelan gagang tambahan*
- 11 Gagang tambahan (genggaman terisolir)*
- 12 Pembatas kedalaman*
- 13 Pegangan (genggaman terisolir)
- 14 Kunci cekaman mata bor*
- 15 Cekaman mata bor pakai kunci bergigi*
- 16 Pemegang mata obeng bit*
- 17 Mata obeng bit*
- 18 Kunci mur dalam**
- 19 Kunci pas**

46 | Bahasa Indonesia

*Aksesori yang ada pada gambar atau yang dijelaskan, tidak termasuk pasokan standar. Semua aksesori yang ada bisa Anda lihat dalam program aksesori Bosch.

**dijual secara umum (tidak termasuk perkakas listrik yang dipasok)

Data teknis

Mesin bor getaran	GSB ...	10	10 RE	13	13 RE	16	16 RE
Nomor model	3 601 ...	B16 0..	B16 1..	B17 0..	B17 1.. B17 6..	B18 0..	B18 1.. B18 6..
Masukan nominal	W	500	500	600	600	701	701
Daya	W	250	250	301	301	351	351
Kecepatan putaran tanpa beban	min ⁻¹	2600	0 – 2600	2800	0 – 2800	3000	0 – 3000
Kecepatan putaran maks. selama dibebani	min ⁻¹	1610	1610	1570	1570	1640	1640
Banyaknya getaran	min ⁻¹	25700	25700	25070	25070	26270	26270
Momen putar nominal	Nm	1,5	1,5	1,8	1,8	2,0	2,0
Penyetelan pendahuluan kecepatan putaran		–	–	–	–	–	●
Putaran ke kanan/kiri		–	●	–	●	–	●
Leher poros Ø	mm	43	43	43	43	43	43
Ø mata bor maks.							
– Beton	mm	10	10	13	13	16	16
– Baja	mm	8	8	10	10	12	12
– Kayu	mm	20	20	25	25	30	30
Kepala cekam yang bisa memegang mata bor	mm	1,5 – 10	1,5 – 10	1,5 – 13	1,5 – 13	1,5 – 13	1,5 – 13
Berat sesuai dengan EPTA-Procedure 01:2014	kg	1,5	1,5	1,8	1,8	1,9	1,9
Klasifikasi keamanan		□/II	□/II	□/II	□/II	□/II	□/II

Data-data berlaku untuk tegangan nominal [U] 230 V. Pada tegangan yang lebih rendah dan pada model khusus mancanegara data-data ini bisa berlainan.

Cara memasang

- ▶ **Sebelum mulai dengan pekerjaan pada perkakas listrik, tariklah steker dari stopkontak.**

Gagang tambahan (lihat gambar A) (GSB 13 / GSB 13 RE / GSB 16 / GSB 16 RE)

- ▶ **Gunakanlah perkakas listrik hanya dengan gagang tambahan 11.**

Anda bisa memutar gagang tambahan 11 ke kedudukan yang cocok dengan macam pekerjaan, supaya posisi kerja mantap dan tidak begitu melelahkan.

Putarkan baut kupu-kupu untuk penyetelan gagang tambahan 10 dalam arah yang berlawanan dengan jalannya jarum jam dan putarkan gagang tambahan 11 ke kedudukan yang diperlukan. Setelah itu baut kupu-kupu 10 diputar dalam arah jalannya jarum jam untuk mengencangkannya kembali.

Menyetel kedalaman pemboran (lihat gambar A)

Dengan pembatas kedalaman lubang 12 kedalaman pemboran X bisa disetelkan.

Tekan tombol untuk mengganti penyetelan pembatas kedalaman lubang 9 dan pasang pembatas kedalaman lubang pada gagang tambahan 11.

Tarik pembatas kedalaman lubang sedemikian, sampai jarak antara pucuk mata bor dan pucuk pembatas kedalaman lubang adalah kedalaman pemboran X yang dikehendaki.

Mengganti alat kerja

Cekaman mata bor yang dikunci dan dibuka dengan tangan (lihat gambar B)

Pegang selubung belakang 3 dari cekaman mata bor yang dikunci dan dibuka dengan tangan 1 dan putarkan selubung depan 2 dalam arah putaran 1, sampai alat kerja bisa dimasukkan. Pasangkan alat kerja.

Pegang selubung bagian belakang 3 dari cekaman mata bor yang dikunci dan dibuka dengan tangan 1 dengan betul dan putarkan selubung bagian depan 2 dalam arah putaran 2 keras-keras dengan tangan sampai menutup, sampai tidak terdengar bunyi ceklek. Dengan demikian cekaman mata bor dikunci secara otomatis.

Penguncian terbuka kembali, jika pada waktu mengeluarkan alat kerja, selubung depan 2 diputar dalam arah yang berlawanan.

Cekaman mata bor pakai kunci bergigi (lihat gambar C)

► **Pakailah sarung tangan pelindung pada waktu mengganti alat kerja.** Cekaman mata bor bisa menjadi sangat panas jika digunakan untuk waktu yang lama.

Bukakan cekaman mata bor pakai kunci bergigi **15** dengan cara memutarannya, sampai alat kerja bisa dipasangkan. Pasangkan alat kerja.

Masukkan kunci cekaman mata bor **14** ke dalam lubang-lubang dari cekaman mata bor pakai kunci bergigi **15** dan kencangkan alat kerja secara rata.

Alat kerja untuk menyekrup (lihat gambar D)

Jika digunakan mata obeng bit **17**, gunakan selalu pemegang mata obeng bit **16**. Gunakanlah hanya mata obeng bit yang cocok pada kepala sekrup.

Untuk menyekrup, sakelar untuk menyatel „tanpa getaran/dengan getaran“ **4** selalu harus disetelkan pada simbol „membor (tanpa getaran)“.


Mengganti cekaman mata bor**Melepaskan cekaman mata bor (lihat gambar E)**

Untuk melepaskan cekaman mata bor yang dikunci dan dibuka dengan tangan **1**, masukkan satu kunci mur dalam **18** ke dalam cekaman mata bor yang dikunci dan dibuka dengan tangan **1** dan pasang satu kunci pas **19** (ukuran mulut 12) pada pipi untuk kunci pas pada poros mesin. Letakkan perkakas listrik pada alas yang stabil, misalnya meja kerja. Tahan kunci pas **19** dan lepaskan cekaman mata bor yang dikunci dan dibuka dengan tangan **1** dengan cara memutar kunci mur dalam **18** dalam arah putar **⌚**. Cekaman mata bor yang dikunci dan dibuka dengan tangan yang terlalu kencang duduknya dilepaskan dengan cara memukul secara ringan pada gagang panjang dari kunci mur dalam **18**. Singkirkan kunci mur dalam dari cekaman mata bor yang dikunci dan dibuka dengan tangan dan putarkan cekaman mata bor yang dikunci dan dibuka dengan tangan sampai lepas sama sekali.

Cara melepaskan cekaman mata bor pakai kunci bergigi **15** sama dengan cara melepaskan cekaman mata bor yang dikunci dan dibuka dengan tangan.

Memasang cekaman mata bor (lihat gambar F)

Cara memasang cekaman mata bor yang dikunci dan dibuka dengan tangan/pakai kunci bergigi adalah seperti di atas tetapi dalam urutan terbalik.

 **Cekaman mata bor harus dikencangkan dengan momen kunci baut sebesar kira-kira 30 – 35 Nm.**

Penghisapan debu/serbuk

► Debu dari bahan-bahan seperti misalnya cat yang mengandung timbel (timah hitam), beberapa jenis kayu, bahan mineral dan logam bisa berbahaya bagi kesehatan. Menyentuh atau menghirup debu-debu ini bisa mengakibatkan reaksi alergi dan/atau penyakit saluran pernafasan dari orang yang menggunakan mesin atau orang yang berada di dekatnya. Beberapa debu tertentu seperti misalnya debu kayu pohon quercus atau pohon fagus silvatica dianggap bisa mengakibatkan penyakit kanker, terutama dalam campuran dengan bahan-bahan tambahan untuk

pengolahan kayu (kromat, obat pengawet kayu). Bahan-bahan yang mengandung asbestos hanya boleh dikerjakan oleh orang-orang yang ahli.

- Perhatikanlah supaya ada pertukaran udara di tempat kerja.
- Kami anjurkan supaya Anda memakai kedok anti debu dengan saringan (filter) kelas P2.

Taatilah peraturan-peraturan untuk bahan-bahan yang dikerjakan yang berlaku di negara Anda.

► **Hindarkan debu yang banyak terkumpul di tempat kerja.** Debu dapat menyulut dengan mudahnya.

Penggunaan**Cara penggunaan**

► **Perhatikan tegangan jaringan listrik! Tegangan jaringan listrik harus sesuai dengan tegangan listrik yang tercantum pada label tipe perkakas listrik.**


Menyetel arah putaran (lihat gambar-gambar G – H) (GSB 10 RE / GSB 13 RE / GSB 16 RE)

Dengan omsakelar arah putaran **8** Anda bisa merubah arah putaran dari perkakas listrik. Akan tetapi ini tidak mungkin jika tombol untuk menghidupkan dan mematikan mesin **6** sedang ditekan.


Arah putaran ke kanan: untuk membore dan memutar masuk sekrap, tekan omsakelar arah putaran **8** ke kiri sampai batas.

Arah putaran ke kiri: untuk melepaskan atau memutar ke luar sekrap dan mur, tekan omsakelar arah putaran **8** ke kanan sampai batas.

Menyetel macam pekerjaan**Membore dan menyekrup**

 Setelkan sakelar untuk menyatel „tanpa getaran/dengan getaran“ **4** pada simbol „membore tanpa getaran“.

Membore dengan getaran

 Setelkan sakelar untuk menyatel „tanpa getaran/dengan getaran“ **4** pada simbol „membore dengan getaran“.

Sakelar untuk menyatel „tanpa getaran/dengan getaran“ **4** terasa mengancing dan bisa digerakkan juga selama motor perkakas listrik sedang hidup.

Menghidupkan/matikan

Untuk **menghidupkan**, tekan tombol untuk menghidupkan dan mematikan **6** dan tahan tekanan.

Untuk **mengunci** tombol untuk menghidupkan dan mematikan **6** yang tertekan, tekan tombol pengunci **5**.

Untuk **mematikan**, lepaskan tombol untuk menghidupkan dan mematikan **6** atau jika dikunci dengan tombol pengunci **5**, tekan sebentar tombol **6** dan lepaskan.

Untuk menghemat energi, hidupkan perkakas listrik hanya jika Anda menggunakannya.

48 | Tiếng Việt

Menyetel kecepatan putaran/banyaknya getaran (GSB 10 RE/GSB 13 RE/GSB 16 RE)

Anda bisa mengatur kecepatan putaran/ banyaknya getaran pada perkakas listrik yang sedang berjalan tanpa tingkatan, dengan cara menambah atau mengurangi tekanan pada tombol untuk menghidupkan dan mematikan **6**.

Tekanan yang ringan pada tombol untuk menghidupkan dan mematikan **6** mengakibatkan kecepatan putaran yang rendah/banyaknya getaran yang sedikit. Jika tekanan ditambah, kecepatan putaran/banyaknya getaran bertambah pula.

Penyetelan pendahuluan kecepatan putaran/banyaknya getaran (GSB 16 RE)

Dengan roda untuk penyetelan pendahuluan kecepatan putaran **7**, Anda bisa menyetelkan kecepatan putaran/ banyaknya getaran yang dibutuhkan, juga selama perkakas listrik sedang berputar.

Kecepatan putaran/banyaknya getaran yang dibutuhkan tergantung dari bahan yang dikerjakan dan macam pekerjaan dan bisa didapatkan dengan melakukan uji coba sebelumnya.

Petunjuk-petunjuk untuk pemakaian

- ▶ **Pasangkan perkakas listrik pada mur/sekrup hanya jika perkakas listrik dalam keadaan mati.** Alat kerja-alat kerja yang berputar bisa meleset.
- ▶ **Selama digunakan, peganglah perkakas listrik dengan kedua belah tangan dan perhatikanlah supaya Anda berdiri secara teguh.** Perkakas listrik bisa dikendalikan lebih baik jika dipegang dengan kedua belah tangan.

Setelah perkakas listrik digunakan untuk waktu yang lama dengan kecepatan putaran yang rendah, perkakas listrik didinginkan dengan cara membiarkan perkakas listrik berputar tanpa beban pada kecepatan putaran maksimum kira-kira selama 3 menit.

Untuk membor batu ubin/tegel, setelkan sakelar **4** pada simbol „membor“ (tanpa getaran). Baru setelah ubin tembus, sakelar disetelkan pada simbol „membor dengan getaran“ dan lanjutkan pekerjaan dengan getaran.

Jika mengerjakan beton, batu-batuan dan tembok, pakailah mata bor baja intan.

Untuk pemboran dalam logam, gunakanlah hanya mata bor HSS (HSS = High Speed Steel, baja cepat) yang mulus dan telah diasah. Mutu ini dipenuhi oleh program aksesoris dari Bosch.

Dengan alat pengasah mata bor (aksesori), Anda bisa mengasah mata bor spiral dengan garis tengah 2,5–10 mm tanpa kesulitan.

GSB 16 RE

Untuk pekerjaan yang memerlukan ketelitian, gunakanlah standar mesin bor (aksesori).

Dengan bais mesin yang bisa dibeli sebagai aksesoris, benda yang dikerjakan bisa dipegang dengan aman. Dengan demikian benda yang dikerjakan tidak memutar dan tidak terjadi kecelakaan karenanya.

Rawatan dan servis**Rawatan dan kebersihan**

- ▶ **Sebelum mulai dengan pekerjaan pada perkakas listrik, tariklah steker dari stopkontak.**
- ▶ **Perkakas listrik dan lubang ventilasi harus selalu dibersihkan supaya perkakas bisa digunakan dengan baik dan aman.**

Jika kabel listrik harus digantikan, pekerjaan ini harus dilakukan oleh Bosch atau Service Center untuk perkakas listrik Bosch yang resmi, supaya keselamatan kerja selalu terjamin.

Layanan pasca beli dan konseling terkait pengoperasian

Layanan pasca beli Bosch menjawab semua pertanyaan Anda terkait reparasi dan maintenance serta suku cadang produk ini. Gambar tiga dimensi dan informasi terkait suku cadang dapat Anda lihat di:

www.bosch-pt.com

Tim konseling pengoperasian dari Bosch dengan senang hati membantu Anda, jika Anda hendak bertanya tentang produk-produk kami dan aksesorisnya.

Jika Anda hendak menanyakan sesuatu atau memesan suku cadang, sebutkan selalu nomor model yang terdiri dari 10 angka dan tercantum pada label tipe produk.

Indonesia

PT Robert Bosch
Palma Tower 10th Floor
Jl. RA Kartini II-S Kaveling 6 Sek II
Pondok Pinang, Kebayoran Lama
Jakarta Selatan 12310
Indonesia
Tel.: (021) 3005 5800
Fax: (021) 3005 5801
E-Mail: boschpowertools@id.bosch.com
www.bosch-pt.com

Cara membuang

Perkakas listrik, aksesoris dan kemasan sebaiknya didaur ulang sesuai dengan upaya untuk melindungi lingkungan hidup.

Janganlah membuang perkakas listrik dalam sampah rumah tangga!

Perubahan dapat terjadi tanpa pemberitahuan sebelumnya.

Tiếng Việt**Các Nguyên Tắc An Toàn****Cảnh báo tổng quát cách sử dụng an toàn dụng cụ điện cầm tay**

⚠ CẢNH BÁO Đọc kỹ mọi cảnh báo an toàn và hướng dẫn. Không tuân thủ mọi

cảnh báo và hướng dẫn được liệt kê dưới đây có thể bị điện giật, gây cháy và/hay bị thương tật nghiêm trọng.

Hãy giữ tất cả tài liệu về cảnh báo và hướng dẫn để tham khảo về sau.

Thuật ngữ “dụng cụ điện cầm tay” trong phần cảnh báo là để cập đến sự sử dụng dụng cụ điện cầm tay của bạn, loại sử dụng điện nguồn (có dây cắm điện) hay vận hành bằng pin (không dây cắm điện).

Khu vực làm việc an toàn

- ▶ **Giữ nơi làm việc sạch và đủ ánh sáng.** Nơi làm việc bừa bộn và tối tăm dễ gây ra tai nạn.
- ▶ **Không vận hành dụng cụ điện cầm tay trong môi trường dễ gây nổ, chẳng hạn như nơi có chất lỏng dễ cháy, khí đốt hay rác.** Dụng cụ điện cầm tay tạo ra các tia lửa nên có thể làm rác bén cháy hay bốc khói.
- ▶ **Không để trẻ em hay người đến xem đứng gần khi vận hành dụng cụ điện cầm tay.** Sự phân tâm có thể gây ra sự mất điều khiển.

An toàn về điện

- ▶ **Phích cắm của dụng cụ điện cầm tay phải thích hợp với ổ cắm.** Không bao giờ được cải biến lại phích cắm dưới mọi hình thức. Không được sử dụng phích tiếp hợp nối tiếp đất (dây mát). Phích cắm nguyên bản và ổ cắm đúng loại sẽ làm giảm nguy cơ bị điện giật.
- ▶ **Tránh không để thân thể tiếp xúc với đất hay các vật có bề mặt tiếp đất như đường ống, lò sưởi, hàng rào và tủ lạnh.** Có nhiều nguy cơ bị điện giật hơn nếu cơ thể bạn bị tiếp hay nối đất.
- ▶ **Không được để dụng cụ điện cầm tay ngoài mưa hay ở tình trạng ẩm ướt.** Nước vào máy sẽ làm tăng nguy cơ bị điện giật.
- ▶ **Không được lạm dụng dây dẫn điện.** Không bao giờ được nắm dây dẫn để xách, kéo hay rút phích cắm dụng cụ điện cầm tay. Không để dây gần nơi có nhiệt độ cao, dầu nhớt, vật nhọn bén hay bộ phận chuyển động. Làm hỏng hay cuộn rối dây dẫn làm tăng nguy cơ bị điện giật.
- ▶ **Khi sử dụng dụng cụ điện cầm tay ngoài trời, dùng dây nối thích hợp cho việc sử dụng ngoài trời.** Sử dụng dây nối thích hợp cho việc sử dụng ngoài trời làm giảm nguy cơ bị điện giật.
- ▶ **Nếu việc sử dụng dụng cụ điện cầm tay ở nơi ẩm ướt là không thể tránh được, dùng thiết bị ngắt mạch tự động (RCD) bảo vệ nguồn.** Sử dụng thiết bị thiết bị ngắt mạch tự động RCD làm giảm nguy cơ bị điện giật.

An toàn cá nhân

- ▶ **Hãy tỉnh táo, biết rõ mình đang làm gì và hãy sử dụng ý thức khi vận hành dụng cụ điện cầm**

tay. Không sử dụng dụng cụ điện cầm tay khi đang mệt mỏi hay đang bị tác động do chất gây nghiện, rượu hay dược phẩm gây ra. Một thoáng mất tập trung khi đang vận hành dụng cụ điện cầm tay có thể gây thương tích nghiêm trọng cho bản thân.

- ▶ **Sử dụng trang bị bảo hộ cá nhân. Luôn luôn đeo kính bảo vệ mắt.** Trang bị bảo hộ như khẩu trang, giày chống trượt, nón bảo hộ, hay dụng cụ bảo vệ tai khi được sử dụng đúng nơi đúng chỗ sẽ làm giảm nguy cơ thương tật cho bản thân.
- ▶ **Phòng tránh máy khởi động bất ngờ. Bảo đảm công tắc máy ở vị trí tắt trước khi cắm vào nguồn điện và/hay lắp pin vào, khi nhắc máy lên hay khi mang xách máy.** Ngang ngón tay vào công tắc máy để xách hay kích hoạt dụng cụ điện cầm tay khi công tắc ở vị trí mở dễ dẫn đến tai nạn.
- ▶ **Lấy mọi chìa hay khóa điều chỉnh ra trước khi mở điện dụng cụ điện cầm tay.** Khóa hay chìa còn gắn dính vào bộ phận quay của dụng cụ điện cầm tay có thể gây thương tích cho bản thân.
- ▶ **Không rướn người. Luôn luôn giữ tư thế đứng thích hợp và thăng bằng.** Điều này tạo cho việc điều khiển dụng cụ điện cầm tay tốt hơn trong mọi tình huống bất ngờ.
- ▶ **Trang phục thích hợp. Không mặc quần áo rộng lủng thụng hay mang trang sức. Giữ tóc, quần áo và găng tay xa khỏi các bộ phận chuyển động.** Quần áo rộng lủng thụng, đồ trang sức hay tóc dài có thể bị cuốn vào các bộ phận chuyển động.
- ▶ **Nếu có các thiết bị đi kèm để nối máy hút bụi và các phụ kiện khác, bảo đảm các thiết bị này được nối và sử dụng tốt.** Việc sử dụng các thiết bị gom hút bụi có thể làm giảm các độc hại liên quan đến bụi gây ra.

Sử dụng và bảo dưỡng dụng cụ điện cầm tay

- ▶ **Không được ép máy. Sử dụng dụng cụ điện cầm tay đúng loại theo đúng ứng dụng của bạn.** Dụng cụ điện cầm tay đúng chức năng sẽ làm việc tốt và an toàn hơn theo đúng tiến độ mà máy được thiết kế.
- ▶ **Không sử dụng dụng cụ điện cầm tay nếu như công tắc không tắt và mở được.** Bất kỳ dụng cụ điện cầm tay nào mà không thể điều khiển được bằng công tắc là nguy hiểm và phải được sửa chữa.
- ▶ **Rút phích cắm ra khỏi nguồn điện và/hay pin ra khỏi dụng cụ điện cầm tay trước khi tiến hành bất kỳ điều chỉnh nào, thay phụ kiện, hay cất dụng cụ điện cầm tay.** Các biện pháp ngăn ngừa như vậy làm giảm nguy cơ dụng cụ điện cầm tay khởi động bất ngờ.

50 | Tiếng Việt

- ▶ **Cắt giữ dụng cụ điện cầm tay không dùng tới nơi trẻ em không lấy được và không cho người chưa từng biết dụng cụ điện cầm tay hay các hướng dẫn này sử dụng dụng cụ điện cầm tay.** Dụng cụ điện cầm tay nguy hiểm khi ở trong tay người chưa được chỉ cách sử dụng.
- ▶ **Bảo quản dụng cụ điện cầm tay. Kiểm tra xem các bộ phận chuyển động có bị sai lệch hay kẹt, các bộ phận bị rạn nứt và các tình trạng khác có thể ảnh hưởng đến sự vận hành của máy. Nếu bị hư hỏng, phải sửa chữa máy trước khi sử dụng.** Nhiều tai nạn xảy ra do bảo quản dụng cụ điện cầm tay tồi.
- ▶ **Giữ các dụng cụ cắt bén và sạch.** Bảo quản đúng cách các dụng cụ cắt có cạnh cắt bén làm giảm khả năng bị kẹt và dễ điều khiển hơn.
- ▶ **Sử dụng dụng cụ điện cầm tay, phụ kiện, đầu cài v. v., đúng theo các chỉ dẫn này, hãy lưu ý đến điều kiện làm việc và công việc phải thực hiện.** Sử dụng dụng cụ điện cầm tay khác với mục đích thiết kế có thể tạo nên tình huống nguy hiểm.

Bảo dưỡng

- ▶ **Đưa dụng cụ điện cầm tay của bạn đến thợ chuyên môn để bảo dưỡng, chỉ sử dụng phụ tùng đúng chủng loại để thay.** Điều này sẽ đảm bảo sự an toàn của máy được giữ nguyên.

Cảnh Báo An Toàn Việc Sử Dụng Khoan

- ▶ **Hãy mang dụng cụ bảo vệ tai khi khoan với chế độ đập.** Phơi nhiễm tiếng ồn có thể làm cho tai bị điếc.
- ▶ **Hãy sử dụng tay nắm phụ, nếu như được giao kèm với dụng cụ.** Sự mất điều khiển có thể gây thương tích cho bản thân.
- ▶ **Nắm giữ dụng cụ điện nơi phần nắm cách điện khi thực hiện việc gia công nơi dụng cụ cắt có thể chạm vào dây điện không nhìn thấy được hay chính dây của máy.** Dụng cụ cắt chạm phải dây có điện có thể làm cho các bộ phận kim loại không được bao bọc có điện và giật người vận hành máy.
- ▶ **Khi sử dụng máy, luôn luôn giữ chặt máy bằng cả hai tay và tạo tư thế đứng vững chắc.** Dụng cụ điện cầm tay vận hành an toàn hơn khi dùng cả hai tay.
- ▶ **Dùng thiết bị dò tìm thích hợp để xác định nếu có các công trình công cộng lắp đặt ngầm trong khu vực làm việc hay liên hệ với Cty công trình Công cộng địa phương để nhờ hỗ trợ.** Dụng cụ chạm đường dẫn điện có thể gây ra hỏa hoạn và điện giật. Làm hư hại đường dẫn khí ga có thể gây nổ. Làm thủng đường dẫn nước gây hư hỏng tài sản hay có khả năng gây ra điện giật.

- ▶ **Tắt máy ngay lập tức khi dụng cụ lắp vào máy đột nhiên bị nghẽn chặt. Để phòng lực vận mạnh có thể được tạo ra do sự giật ngược.**

Dụng cụ lắp vào có thể bị nghẽn chặt khi:

- dụng cụ điện cầm tay bị quá tải hay
- bị chèn chặt trong vật gia công.

- ▶ **Kẹp chặt vật gia công.** Vật gia công được kẹp bằng một thiết bị kẹp hay bằng êtô thì vững chắc hơn giữ bằng tay.

- ▶ **Luôn luôn đợi cho máy hoàn toàn ngừng hẳn trước khi đặt xuống.** Dụng cụ lắp vào máy có thể bị kẹp chặt dẫn đến việc dụng cụ điện cầm tay bị mất điều khiển.

Mô Tả Sản Phẩm và Đặc Tính Kỹ Thuật

Đọc kỹ mọi cảnh báo an toàn và mọi hướng dẫn. Không tuân thủ mọi cảnh báo và hướng dẫn được liệt kê dưới đây có thể bị điện giật, gây cháy và/hay bị thương tật nghiêm trọng.

Dành sử dụng cho

Máy khoan có chức năng đập được thiết kế để khoan gạch, bê-tông và đá cũng như để khoan gỗ, kim loại và nhựa. Máy có trang bị bộ phận điều khiển điện tử và quay được chiều phải/trái cũng thích hợp cho việc bắt vít hay bắt ren.

Biểu trưng của sản phẩm

Sự đánh số các biểu trưng của sản phẩm là để tham khảo hình minh họa của máy trên trang hình ảnh.

- 1 Mâm cặp không dùng chia*
- 2 Khớp vòng ngoài
- 3 Khớp vòng trong
- 4 Gạc chọn chức năng "Khoan thường/Khoan đập"
- 5 Nút khoá giữ chế độ tự-chạy của công tắc Tắt/Mở
- 6 Công tắc Tắt/Mở
- 7 Núm xoay để chọn trước tốc độ (GSB 16 RE)
- 8 Gạc vận chuyển đổi chiều quay (GSB 10 RE/GSB 13 RE/GSB 16 RE)
- 9 Nút điều chỉnh cho cỡ định độ sâu*
- 10 Vít tai chuẩn để điều chỉnh tay nắm phụ*
- 11 Tay nắm phụ (có bề mặt nắm cách điện)*
- 12 Cỡ định độ sâu*
- 13 Tay nắm (bề mặt nắm cách điện)
- 14 Khóa của mâm cặp*
- 15 Mâm cặp khoan loại dùng chia*
- 16 Đầu nối phổ thông*
- 17 Đầu vít*

18 Khóa lục giác**

19 Cờ-lê mở miệng**

*Phụ tùng được trình bày hay mô tả không phải là một phần của tiêu chuẩn hàng hóa được giao kèm theo sản

phẩm. Bạn có thể tham khảo tổng thể các loại phụ tùng, phụ kiện trong chương trình phụ tùng của chúng tôi.

**Có bán trên thị trường (không nằm trong phạm vi được kèm theo máy khi giao hàng)

Thông số kỹ thuật

Khoan Đập	GSB ...	10	10 RE	13	13 RE	16	16 RE
Mã số máy	3 601 ...	B16 0..	B16 1..	B17 0..	B17 6..	B18 0..	B18 6..
Công suất vào danh định	W	500	500	600	600	701	701
Công suất ra	W	250	250	301	301	351	351
Tốc độ không tải	v/p	2600	0–2600	2800	0–2800	3000	0–3000
Tốc độ quay chịu tải, tối đa.	v/p	1610	1610	1570	1570	1640	1640
Tần suất đập	bpm	25700	25700	25070	25070	26270	26270
Lực vặn danh định	Nm	1,5	1,5	1,8	1,8	2,0	2,0
Chọn Trước Tốc Độ		–	–	–	–	–	●
Quay Phải/Trái		–	●	–	●	–	●
Đường kính cổ trục	mm	43	43	43	43	43	43
Đường kính khoan tối đa							
– Bê-tông	mm	10	10	13	13	16	16
– Thép	mm	8	8	10	10	12	12
– Gỗ	mm	20	20	25	25	30	30
Phạm vi mâm cặp kẹp được	mm	1,5–10	1,5–10	1,5–13	1,5–13	1,5–13	1,5–13
Trọng lượng theo Qui trình EPTA-Procedure 01:2014 (chuẩn EPTA 01:2014)	kg	1,5	1,5	1,8	1,8	1,9	1,9
Cấp độ bảo vệ		□/II	□/II	□/II	□/II	□/II	□/II

Các giá trị đã cho cho hiệu lực cho điện thế danh định [U] 230 V. Đối với điện thế thấp hơn và các loại máy dành riêng cho một số quốc gia, các giá trị này có thể thay đổi.

Sự lắp vào

- ▶ Trước khi tiến hành bất cứ việc gì trên máy, kéo phích cắm điện nguồn ra.

Tay nắm phụ (xem hình A) (GSB 13/GSB 13 RE/GSB 16/ GSB 16 RE)

- ▶ Chỉ vận hành máy của bạn khi đã gắn tay nắm phụ 11.

Tay nắm phụ 11 có thể chỉnh đặt ở bất cứ vị trí nào mà tạo ra được sự an toàn và từ thế làm việc thoải mái nhất.

Vặn bu-lông tai hông điều chỉnh tay nắm phụ 10 theo chiều ngược chiều đồng hồ và chỉnh đặt tay nắm phụ 11 ở vào vị trí theo yêu cầu. Sau đó siết chặt bu-lông tai hông 10 lại theo chiều đồng hồ.

Điều Chỉnh Cờ Sâu Khoan (xem hình A)

Cờ sâu muốn khoan X có thể chỉnh đặt bằng cờ định độ sâu 12.

Nhấn nút chỉnh đặt cờ định độ sâu 9 và lắp cờ định độ sâu vào tay nắm phụ 11.

Kéo cờ định độ sâu ra cho đến khi khoảng cách giữa đầu mũi khoan và đầu cờ định độ sâu thích ứng với chiều sâu lỗ khoan muốn có X.

Thay Dụng Cụ

Mâm Cặp Không Dùng Khóa (xem hình B)

Giữ chặt khớp vòng trong 3 của mâm cặp không dùng chìa 1 và vặn khớp vòng ngoài 2 theo chiều quay ①, cho đến khi có thể lắp dụng cụ vào. Lắp dụng cụ vào.

Kiểm giữ vòng trong 3 của mâm cặp không dùng chìa 1 thật chắc và vặn mạnh vòng ngoài 2 theo chiều quay ② bằng tay cho đến khi không còn nghe thấy tiếng của động tác khóa nữa. Thao tác này tự động khóa mâm cặp khoan lại.

Động tác khóa được giải phóng để lấy dụng cụ ra khi khớp vòng ngoài 2 được vặn theo chiều ngược lại.

52 | Tiếng Việt

Mâm Cặp Khoan Dùng Khóa (xem hình C)

► **Mang găng tay bảo hộ khi thay dụng cụ.** Mâm cặp có thể trở nên rất nóng trong suốt thời gian dài liên tục hoạt động.

Mở mâm cặp khoan dùng khóa **15** bằng cách vận cho đến khi dụng cụ có thể lắp vào được. Lắp dụng cụ vào.

Tra khóa mâm cặp vào **14** trong các lỗ tương ứng của mâm cặp khoan dùng khóa **15** và vận để kẹp dụng cụ lại một cách đồng bộ.

Dụng Cụ Bất Vít (xem hình D)

Khi làm việc với các mũi vít **17**, luôn luôn nên sử dụng **16** loại đầu nối phổ thông. Chỉ dùng mũi vít vừa khớp với đầu vít.

Để bắt vít vào, luôn luôn đặt vị trí gạc chọn "Khoan thường/Khoan Đập" **4** về biểu tượng "Khoan thường".

Thay Mâm Cặp Khoan**Lấy Mâm Cặp Khoan Ra (xem hình E)**

Để tháo mâm cặp không dùng chìa **1**, tra chìa vận sáu cạnh **18** vào trong mâm cặp không dùng chìa để kềm chặt lại **1**, và tra chìa vận mở miệng **19** (cỡ 12 mm) áp sát vào phần má dẹt của trục truyền động. Đặt máy lên trên một mặt kê đỡ vững chắc, vd., bàn thợ. Giữ chìa vận mở miệng **19** thật chắc và tháo lỏng mâm cặp không dùng chìa **1** bằng cách vận chìa vận sáu cạnh **18** theo chiều quay **1**. Làm lỏng mâm cặp không dùng chìa đang dính sát ra bằng cách đập lên phần chuỗi dài của chìa vận sáu cạnh **18**. Tháo chìa vận sáu cạnh ra khỏi mâm cặp khoan không dùng chìa và tháo mâm cặp khoan ra hẳn.

Mâm cặp khoan dùng khóa **15** được tháo ra như cách của mâm cặp khoan không dùng chìa.

Gắn Mâm Cặp Khoan vào (xem hình F)

Mâm cặp khoan không dùng chìa/khoá/mâm cặp dùng chìa được lắp vào theo trình tự ngược lại.

! **Mâm cặp khoan phải được siết chặt với lực vận vào khoảng 30–35 Nm.**

Hút Dăm/Bụi

► Mạt bụi từ các vật liệu được sơn phủ ngoài có chứa chì trên một số loại gỗ, khoáng vật và kim loại có thể gây nguy hại đến sức khoẻ con người. Dụng cụ chạm hay hít thở các bụi này có thể làm người sử dụng hay đứng gần bị dị ứng và/hoặc gây nhiễm trùng hệ hô hấp.

Một số mạt bụi cụ thể, ví dụ như bụi gỗ sợi hay dầu, được xem là chất gây ung thư, đặc biệt là có liên quan đến các chất phụ gia dùng xử lý gỗ (chất cromat, chất bảo quản gỗ). Có thể chỉ nên để thợ chuyên môn gia công các loại vật liệu có chứa amiăng.

- Tạo không khí thông thoáng nơi làm việc.
- Khuyến nghị nên mang mặt nạ phòng độc có bộ lọc cấp P2.

Tuân thủ các qui định của quốc gia bạn liên quan đến loại vật liệu gia công.

► **Tránh không để rác tích tụ tại nơi làm việc.** Rác có thể dễ dàng bắt lửa.

Vận Hành**Bắt Đầu Vận Hành**

► **Tuân thủ theo đúng điện thế! Điện thế nguồn phải đúng với điện thế đã ghi rõ trên nhãn máy.**

**Đảo Chiều Quay (xem hình G–H)
(GSB 10 RE/GSB 13 RE/GSB 16 RE)**

Gạc chuyển đổi chiều quay **8** được sử dụng để đảo lại chiều quay của máy. Tuy nhiên, việc này không thể thực hiện được cùng lúc với công tắc Tắt/Mở **6** đang hoạt động.

Chiều Quay Phải: Để khoan hay bắt vít vào, đẩy gạc chuyển đổi chiều quay **8** về hết bên trái.

Chiều Quay Trái: Để rời hay là tháo vít hay là đai ốc, nhấn gạc chuyển đổi chiều quay **8** qua hết bên phải.

Chỉnh Đặt Phương Thức Hoạt Động**Khoan Thường và Vận Vít**

Chỉnh đặt gạc chọn **4** về biểu tượng "Khoan thường".

**Khoan Đập**

Chỉnh đặt gạc chọn chức năng **4** về biểu tượng "Khoan Đập".

Gạc chọn chức năng **4** ăn khớp vào guồng máy có thể nhận biết được và cũng có thể kích hoạt được cả khi máy đang chạy.

Bật Mở và Tắt

Để khởi **động máy**, nhấn công tắc Tắt/Mở **6** và nhấn giữ xuống.

Để khóa, **nhấn** công tắc Tắt/Mở **6**, nhấn nút khóa tự-chạy **5** vào.

Để **tắt máy**, nhả công tắc Tắt/Mở **6** ra hay khi công tắc đã được khóa bằng nút khóa tự-chạy **5**, nhấn nhanh công tắc Tắt/Mở **6** và rời nhả ra.

Để tiết kiệm năng lượng, chỉ cho dụng cụ điện hoạt động khi sử dụng.

**Điều chỉnh Tốc Độ/Tần suất Đập
(GSB 10 RE/GSB 13 RE/GSB 16 RE)**

Có thể điều chỉnh thay đổi tốc độ/tần suất đập của dụng cụ điện đang hoạt động, tùy theo mức độ công tắc Tắt/Mở **6** được bóp vào.

Lực áp nhẹ lên công tắc Tắt/Mở 6 tạo ra tốc độ thấp/tần suất đập thưa. Lực áp mạnh hơn lên công tắc làm tăng tốc độ và tần suất đập.

Chọn trước Tốc độ/Tần suất Đập (GSB 16 RE)

bằng núm xoay chọn trước tốc độ 7, tốc độ/tần suất đập mà ta muốn có, có thể định trước được ngay cả khi đang vận hành máy.

Tốc độ cần có/tần suất đập tùy thuộc vào vật liệu và các điều kiện làm việc, và có thể xác định được thông qua việc chạy thử nghiệm thực tế.

Hướng Dẫn Sử Dụng

► **Tra dụng cụ điện cầm tay vào vít/đai ốc chỉ khi đã tắt công tắc.** Dụng cụ gắn trong máy đang xoay có thể trượt ra ngoài.

► **Khi sử dụng máy, luôn luôn giữ chặt máy bằng cả hai tay và tạo tư thế đứng vững chắc.** Dụng cụ điện cầm tay vận hành an toàn hơn khi dùng cả hai tay.

Sau thời gian dài vận hành máy liên tục ở tốc độ thấp, để làm máy nguội xuống, cho máy chạy không tải với tốc độ tối đa trong khoảng 3 phút.

Để khoan ngói, chỉnh đặt gạc chọn 4 về biểu tượng "Khoan thường". Không được gạc sang biểu tượng "Khoan Đập" hay thao tác với chế độ đập cho đến khi đã khoan xuyên qua ngói.

Dùng mũi khoan đầu cacbua khi khoan bê-tông, nơi có kết cấu nề và tường gạch.

Để khoan kim loại, chỉ nên dùng mũi khoan thép gió HSS thật sắc bén (HSS = thép tốc độ cao). Chất lượng đáp ứng chuẩn được đảm bảo trong chương trình phụ kiện của Bosch.

Mũi khoan xoắn ốc từ 2,5–10 mm có thể dễ dàng mài bén lại bằng dụng cụ mài mũi khoan (xem phần phụ kiện).

GSB 16 RE

Chúng tôi khuyến nên sử dụng giá khoan (xem phần phụ kiện) cho các công việc đặt biệt yêu cầu cân có độ chính xác cao.

Bàn kẹp máy, phụ kiện loại có thể mua được, đảm bảo sự kẹp vật gia công được chắc chắn. Điều này ngăn không làm cho vật gia công bị xoay và không bị tai nạn có thể xảy ra do sự cố này.

Bảo Dưỡng và Bảo Quản

Bảo Dưỡng Và Làm Sạch

- Trước khi tiến hành bất cứ việc gì trên máy, kéo phích cắm điện nguồn ra.
- Để được an toàn và máy hoạt động đúng chức năng, luôn luôn giữ máy và các khe thông gió được sạch.

Nếu như cần phải thay dây dẫn điện thì công việc này phải do hãng Bosch, hay một đại lý được Bosch ủy nhiệm thực hiện để tránh gặp sự nguy hiểm do mất an toàn.

Dịch Vụ Sau Khi Bán và Dịch Vụ Ứng Dụng

Bộ phận phục vụ hàng sau khi bán của chúng tôi sẽ trả lời các câu hỏi liên quan đến việc bảo trì và sửa chữa các sản phẩm cũng như các phụ tùng thay thế của bạn. Hình ảnh chi tiết và thông tin phụ tùng thay thế có thể tìm hiểu theo địa chỉ dưới đây:

www.bosch-pt.com

Bộ phận dịch vụ ứng dụng Bosch sẽ hân hạnh trả lời các câu hỏi liên quan đến các sản phẩm của chúng tôi và linh kiện của chúng.

Trong tất cả các phản hồi và đơn đặt phụ tùng, xin vui lòng luôn luôn nhập số hàng hóa 10 chữ số theo nhãn của hàng hóa.

Việt Nam

Công ty Trách Nhiệm Hữu Hạn Robert Bosch

Việt Nam, PT/SVN

Tầng 10, 194 Golden Building

473 Điện Biên Phủ

Phường 25, Quận Bình Thạnh

Thành Phố Hồ Chí Minh

Việt Nam

Tel.: (08) 6258 3690 Ext 413

Fax: (08) 6258 3692

hieu.lagia@vn.bosch.com

www.bosch-pt.com

Thải bỏ

Máy, linh kiện và bao bì phải được phân loại để tái chế theo hướng thân thiện với môi trường.

Không được thải bỏ dụng cụ điện vào chung với rác sinh hoạt!

Được quyền thay đổi nội dung mà không phải thông báo trước.

المغرب

أوتبرو
53, زنقة الملازم محمد محروس
الدار البيضاء- 20300 - المغرب
الهاتف: +212 (0) 522 400 615 / +212 (0) 522 400 409 (0)
البريد الإلكتروني: service@outipro.ma

الجزائر

سيستال
المنطقة الصناعية احدادن
بجاية 06000 - الجزائر
الهاتف: +213 (0) 982 400 992
الفاكس: +213 (0) 34201569
البريد الإلكتروني: sav@siestal-dz.com

تونس

صوتال
م.ص. المجمع سان كوبان رقم 99-25
2014. مكرين رياض تونس
الهاتف: +216 71 428 770
الفاكس: +216 71 354 175
البريد الإلكتروني: sotel2@planet.tn

مصر

يونيمار
رقم 20 مركز الخدمات
التجمع الاول - القاهرة الجديدة - مصر
الهاتف: +2 02 224 76091 - 95 / +2 02 224 78072 - 73
لفاكس: +2 022 2478075
البريد الإلكتروني: boschegypt@unimaregypt.com

التخلص من العدة الكهربائية

ينبغي التخلص من العدد الكهربائية والتوابع والغلاف
بطريقة منصفة للبيئة عن طريق النفايات القابلة لإعادة
التصنيع.

لا ترمم العدد الكهربائية في النفايات المنزلية!

نحتفظ بحق إدخال التعديلات.

ملاحظات شغل

◀ **ركز العدة الكهربائية على اللولب/الصامولة فقط**
عندما تكون مطفأة. إن عدد الشغل الدوارة قد
تنزلق.

◀ **اقبض على العدة الكهربائية أثناء الشغل بكلتا اليدين**
بإحكام وقف بثبات. يتم توجيه العدة الكهربائية بكلتا
اليدين بأمان أكبر.

بعد تنفيذ الأعمال لفترة طويلة بعدد دوران صغير ينبغي
تشغيل الجهاز على الفاضي لمدة ثلاث دقائق تقريباً بعدد
الدوران الأقصى من أجل تبريده.

لثقب البلاط مركز مفتاح التحويل 4 على رمز "الثقب". بعد
اختراق البلاطة يركز مفتاح التحويل على رمز "التثقيب
المرفق بالطرق" ويتابع الشغل بالتثقيب المرفق بالطرق.

استخدم لقم التثقيب المصنوعة من المعدن الصلب عند
إجراء الأشغال في الخرسانة والحجر والجران.

استخدم عند تثقيب المعادن فقط لقم التثقيب (HSS =
ال فولاذ العالي القدرة والسريع القطع) يضمن برنامج توابع
بوش الجودة المناسبة.

يمكنك بواسطة جهاز شحذ لقم التثقيب (توابع) أن تشحذ
لقم التثقيب الالتوائية بقطر قدره 2,5-10 مم دون عناء.

GSB 16 RE

استخدم حامل التثقيب (توابع) لتنفيذ الأشغال الشديدة
الدقة.

وتسمح ملزمة الآلات المتوفرة ضمن برنامج التوابع بشد
قطعة الشغل بشكل آمن. ويمنع ذلك انبرام قطعة الشغل
والحوادث الناتجة عن ذلك.

الصيانة والخدمة**الصيانة والتنظيف**

◀ **اسحب القابس من مقبس الشبكة الكهربائية قبل**
إجراء أي عمل على العدة الكهربائية.

◀ **حافظ دائماً على نظافة العدة الكهربائية وشقوق**
التهوية للعمل بشكل جيد وآمن.

إن تطلب الأمر استبدال خط الامداد، فينبغي أن يتم ذلك
من قبل شركة بوش أو من قبل مركز خدمة زبائن وكالة
بوش للعدد الكهربائية، لتجنب التعرض للمخاطر.

خدمة الزبائن ومشورة الاستخدام

يجيب مركز خدمة الزبائن على أسئلتكم بصدد تصليح وصيانة
المنتج وأيضاً بما يخص قطع الغيار. يعثر على الرسوم
الممددة وعلى المعلومات عن قطع الغيار بموقع:

www.bosch-pt.com

سيكون من دواعي سرور فرقة مشورة الاستخدام بشركة
بوش أن تساعدكم بخصوص الأسئلة عن منتجاتنا وتوابعها.

يلزم ذكر رقم الصنف ذو الخانات العشر وفقاً للوحة صنع
المنتج عند إرسال أية استفسارات أو طلبيات قطع غيار.

يرجى التوجه إلى التاجر المختص بما يتعلّق بأموال الضمان
والتصليح وتأمين قطع الغيار.

التشغيل

بدء التشغيل

⚠ انتبه إلى جهد الشبكة الكهربائية! يجب أن يتطابق جهد منبع التيار مع المعلومات المذكورة على لائحة طراز الجهاز. يمكن أن يتم تشغيل العدد الكهربائية المحددة بـ 220 فولت بـ 220 فولت أيضاً.

ضبط اتجاه الدوران (راجع الصور (H-G) (GSB 10 RE / GSB 13 RE / GSB 16 RE)

يمكنك بواسطة مفتاح تحويل اتجاه الدوران 8 أن تقوم بتغيير اتجاه دوران العدة الكهربائية. ولكن لا يمكن تنفيذ ذلك عندما يكون مفتاح التشغيل والإطفاء 6 قيد التشغيل.

دوران يميني: لإجراء أعمال التثقيب وربط اللوالب يضغط مفتاح تحويل اتجاه الدوران 8 إلى اليسار إلى حد التصادم.

دوران يساري: لملل أو نزع اللوالب والصواميل يضغط مفتاح تحويل اتجاه الدوران 8 إلى اليمين إلى حد التصادم.

ضبط نوع التشغيل

التثقيب وربط اللوالب

رکز مفتاح التحويل 4 على رمز "الثقب".



التثقيب المرفق بالطرق

اضبط مفتاح التحويل 4 على رمز "التثقيب المرفق بالطرق".



إن مفتاح التحويل 4 يتعاشق بصوت مسموع ويمكن تحويله حتى أثناء دوران الممرک.

التشغيل والإطفاء

اضغط من أجل تشغيل العدة الكهربائية على مفتاح التشغيل والإطفاء 6 وحافظ على إبقائه مضغوطاً.

لتثبيت مفتاح التشغيل والإطفاء 6 وهو في حالة الانضغاط، يضغط زر التثبيت 5.

من أجل إطفاء العدة الكهربائية بترك مفتاح التشغيل والإطفاء 6 أو إن كان قد تم تثبيته بواسطة مفتاح التثبيت 5 فيضغط مفتاح التشغيل والإطفاء 6 للحظة ثم يترك بعد ذلك.

شغل العدة الكهربائية فقط عندما تستخدمها، من أجل توفير الطاقة.

ضبط عدد الدوران/عدد الطرق

(GSB 10 RE / GSB 13 RE / GSB 16 RE)

يمكنك أن تضبط عدد دوران/طرق العدة الكهربائية قيد التشغيل دون تدريج، حسب مدى الضغط على مفتاح التشغيل والإطفاء 6.

يؤدي الضغط الخفيف على مفتاح التشغيل والإطفاء 6 إلى عدد دوران/عدد طرق منخفض. ويرتفع عدد الدوران/عدد الطرق بزيادة الضغط.

ضبط عدد الدوران/عدد الطرق مسبقاً (GSB 16 RE)

يمكنك بواسطة عجلة ضبط عدد الدوران مسبقاً 7 أن تضبط عدد الدوران/عدد الطرق المطلوب مسبقاً حتى أثناء التشغيل.

يتعلق عدد الدوران/عدد الطرق المطلوب بمادة الشغل وبظروف العمل ويمكن التوصل إليه عن طريق التجربة العملية.

عدد ربط اللوالب (تراجع الصورة D)

عندما تستخدم لقم ربط اللوالب 17 ينبغي أن تستعمل دائماً حامل لقم عام 16. استخدم فقط لقم ربط اللوالب التي تلائم رأس اللولب.
من أجل ربط اللوالب يركز مفتاح التحويل "التثقيب/التثقيب المرفق بالطرق" 4 دائماً على رمز "الثقب".

استبدال طرف المثقاب

فك طرف المثقاب (تراجع الصورة E)

من أجل فك طرف المثقاب السريع الشد 1 ولقم ويشد مفتاح ربط سداسي الحواف داخلياً 18 في طرف المثقاب السريع الشد 1 ويرکز مفتاح ربط مفتوح الفك 19 (عرض المثقاب 12) على سطح تركيز المفتاح بمحور الدوران. ضع العدة الكهربائية على قاعدة مثبنة، كمنضدة شغل مثلاً. امسك مفتاح الربط المفتوح الفك 19 بإحكام وحل طرف المثقاب السريع الشد 1 من خلال قفل مفتاح الربط السداسي الحواف داخلياً 18 باتجاه الدوران 0. يتم حل طرف المثقاب السريع الشد في حال استحصائه من خلال طريقة خفيفة على الساق الطويلة بمفتاح الربط السداسي الحواف داخلياً 18. انزع مفتاح الربط السداسي الحواف داخلياً عن طرف المثقاب السريع الشد وفك طرف المثقاب السريع الشد تماماً من خلال قفله.

يتم فك طرف المثقاب المسنن الطوق 15 بنفس الطريقة الموصوفة لطرف المثقاب السريع الشد.

تركيب طرف المثقاب (تراجع الصورة F)

يتم تركيب طرف المثقاب السريع الشد/المسنن الطوق بالتسلسل المعاكس.

⚠ يجب أن يتم شدّ طرف المثقاب بعزم دوران شدّ يتراوح من 35-30 نيوتن متر تقريباً.

شغط الغبار/النشارة

⚠ إن أغبرة بعض المواد كالطلاء الذي يحتوي على الرصاص، وبعض أنواع الخشب والفولاذ والمعادن، قد تكون مضرّة بالصحة. إن ملامسة أو استنشاق الأغبرة قد يؤدي إلى ردود فعل زائدة الحساسية و/أو إلى أمراض المجاري التنفسية لدى المستخدم أو لدى الأشخاص المتواجدين على مقربة من المكان. تعتبر بعض الأغبرة المعينة، كأغبرة البلوط والزنان بأنها مسببة للسرطان، ولا سيما بالاتصال مع المواد الإضافية لمعالجة الخشب (ملع حامض الكروميك، المواد الحافظة للخشب). يجوز أن يتم معالجة المواد التي تحتوي على الأسبستوس من قبل العمال المتخصصين فقط دون غيرهم.

- حافظ على تهوية مكان الشغل بشكل جيد.
- نضع بارتداء قناع وقاية للتنفس بفتة المرشع P2.
- تراعى الأحكام السارية في بلدكم بالنسبة للمواد المرغوب معالجتها.

⚠ تجنب تراكم الغبار بمكان العمل. يجوز أن تشتعل الأغبرة بسهولة.

البيانات الفنية

16 RE	16	13 RE	13	10 RE	10	GSB...	آلة تثقيب مرفق بالطرق
B18 1..		B17 1..					رقم الصنف
B18 6..	B18 0..	B17 6..	B17 0..	B16 1..	B16 0..	3 601 ...	
701	701	600	600	500	500	واط	القدرة الاسمية المقنية
351	351	301	301	250	250	واط	القدرة المعطاة
0-3000	3000	0-2800	2800	0-2600	2600	دقيقة ¹	عدد الدوران اللاملي
1640	1640	1570	1570	1610	1610	دقيقة ¹	أقصى عدد الدوران الحملي
26270	26270	25070	25070	25700	25700	دقيقة ¹	عدد الطرق
2,0	2,0	1,8	1,8	1,5	1,5	نيوتن متر	عزم الدوران الاسمي
●	-	-	-	-	-		ضبط عدد الدوران مسبقاً
●	-	●	-	●	-		دوران يميني/يساري
43	43	43	43	43	43	مم	Ø عنق محور الدوران
							Ø التثقيب الأقصى
16	16	13	13	10	10	مم	- الخرسانة
12	12	10	10	8	8	مم	- فولاذ
30	30	25	25	20	20	مم	- خشب
1,5-13	1,5-13	1,5-13	1,5-13	1,5-10	1,5-10	مم	مجال شد ظرف المثقاب
1,9	1,9	1,8	1,8	1,5	1,5	كغ	الوزن حسب EPTA-Procedure 01:2014
II/□	II/□	II/□	II/□	II/□	II/□		فئة الوقاية

القيم سارية المفعول لجهد اسمي [U] بمقدار 230 فولط. قد تتفاوت هذه القيم عندما يختلف الجهد عن ذلك أو بطرازات خاصة ببلدان معينة.

استبدال العدد

ظرف المثقاب السريع الشد (تراجع الصورة B)

امسك الليبسة الخلفية 3 بظرف المثقاب السريع الشد 1 بإحكام وافتل الليبسة الأمامية 2 نحو اتجاه الدوران ● إلى الحد الذي يسمح بتركيب العدة. ركب العدة.

أقبض على الليبسة الخلفية 3 بظرف المثقاب السريع الشد 1 بإحكام واغلق الليبسة الأمامية 2 بفتلها باتجاه الدوران ● بواسطة اليد بقوة، إلى حد عدم سماع صوت القابض الكلابي. يتم إقفال ظرف المثقاب بذلك بشكل آلي.

يتم فك الإقفال عند فتل الليبسة الأمامية 2 بالاتجاه المعاكس من أجل نزع العدة.

ظرف المثقاب المسنن الطوق (تراجع الصورة C)

◀ ارتد قفازات واقية عند استبدال العدة. قد يحمي ظرف المثقاب بشدة عند تنفيذ إجراءات العمل لفترة طويلة.

افتح ظرف المثقاب المسنن الطوق 15 من خلال فتله إلى أن تتمكن من تليم العدة. ركب العدة.

اغرز مفتاح ظرف المثقاب 14 في الفجوات المخصصة بظرف المثقاب المسنن الطوق 15 واحكم شد العدة بشكل منتظم.

التركيب

◀ اسحب القابس من مقبس الشبكة الكهربائية قبل إجراء أي عمل على العدة الكهربائية.

المقبض الإضافي (تراجع الصورة A)
(GSB 13 / GSB 13 RE / GSB 16 / GSB 16 RE)

◀ استعمل عدتك الكهربائية فقط مع المقبض الإضافي 11.

يمكنك أن تقوم بأرجحة المقبض الإضافي 11 حسب رغبتك لكي تتوصل إلى موقف عمل آمن وقليل الإجهاد.

افتل اللولب المجنح لضبط المقبض الإضافي 10 بعكس اتجاه حركة عقارب الساعة وابرهم المقبض الإضافي 11 إلى الوضع المرغوب. افتل اللولب المجنح 10 بعد ذلك باتجاه حركة عقارب الساعة بإحكام.

ضبط عمق التثقيب (تراجع الصورة A)

يمكنك بواسطة محدد عمق التثقيب 12 أن تحدد عمق التثقيب X المرغوب.

اضغط على زر ضبط محدد العمق 9 وركب محدد العمق في المقبض الإضافي 11.

اسحب محدد العمق إلى الخارج إلى أن تتوافق مسافة البعد بين رأس لقمة التثقيب ورأس محدد العمق مع عمق التثقيب X المرغوب.

وصف المنتج والأداء

اقرأ جميع الملاحظات التحذيرية والتعليمات. إن ارتكاب الأخطاء عند تطبيق الملاحظات التحذيرية والتعليمات قد يؤدي إلى الصدمات الكهربائية، إلى نشوب المرائق و/أو الإصابة بجروح خطيرة.



الاستعمال المخصص

الجهاز مخصص للتثقيب المرفق بالطرق في الطوب والخرسانة والحجر وأيضاً لتثقيب الخشب و المعادن والخزف واللداثن. وتصلح الأجهزة المزودة بتحكم الكتروني ودوران يميني/يساري لربط اللوالب ولقص أسنان اللوالب أيضاً.

الأجزاء المصورة

يستند ترقيم الأجزاء المصورة إلى رسوم العدة الكهربائية الموجودة في صفحة الرسوم التخطيطية.

- 1 طرف المثقاب السريع الشد*
 - 2 الليبسة الأمامية
 - 3 الليبسة الخلفية
 - 4 مفتاح تحويل "التثقيب/التثقيب المرفق بالطرق"
 - 5 زر تثبيت مفتاح التشغيل والإطفاء
 - 6 مفتاح التشغيل والإطفاء
 - 7 عجلة ضبط عدد الدوران مسبقاً (GSB 16 RE)
 - 8 مفتاح تحويل اتجاه الدوران (GSB 10 RE / GSB 13 RE / GSB 16 RE)
 - 9 زر ضبط محدد العمق*
 - 10 لولب مجنح لضبط المقبض الإضافي*
 - 11 مقبض إضافي (سطح القبض معزول)*
 - 12 محدد العمق*
 - 13 مقبض يدوي (سطح القبض معزول)
 - 14 مفتاح طرف المثقاب*
 - 15 طرف المثقاب المسنن الطوق*
 - 16 حامل اللقم العام*
 - 17 لقمة مفك براغي*
 - 18 مفتاح ربط سداسي الحواف داخلياً**
 - 19 مفتاح ربط مفتوح الفك**
- * لا يتضمن إطار التوريد الاعتيادي التوايح المصورة أو الموصوفة. يعثر على التوايح الكاملة في برنامجنا للتوايح.
** متداولة (غير مرفقة بنطاق التسليم)

◀ حافظ على إبقاء عدد القطع نظيفة وحادة. إن عدد القطع ذات حواف القطع الحادة التي تم صيانتها بعناية تتكلم بشكل أقل ويمكن توجيهها بشكل أسير.

◀ استخدم العدد الكهربائية والتوايح وعدد الشغل وإلخ. حسب هذه التعليمات. تراعى أثناء ذلك شروط الشغل والعمل المراد تنفيذه. استخدام العدد الكهربائية لغير الأشغال المخصصة لأجلها قد يؤدي إلى حدوث الحالات الخطيرة.

الخدمة

◀ اسمع بتصلب عدتك الكهربائية فقط من قبل العمال المتخصصين فقط باستعمال قطع الغيار الأصلية. يؤمن ذلك المحافظة على أمان الجهاز.

تعليمات الأمان للمثاقب

- ◀ ارتد واقية سمع عند إجراء أعمال الثقب المرفق بالطرق. إن تأثير الضجيج قد يؤدي إلى فقدان قدرة السمع.
- ◀ استخدم المقابض الإضافية إن أرفقت بالعدة الكهربائية. إن فقدان التحكم قد يؤدي إلى الإصابة بجروح.
- ◀ أمسك الجهاز من سطوح القبض المعزولة عند إجراء أعمال قد تلامس فيها عدة الشغل خطوط كهربائية منخفضة أو كابل الكهرباء الخاص بها. حيث إن ملامسة خط يسري به جهد كهربائي من شأنه أن ينقل الجهد الكهربائي للأجزاء المعدنية بالجهاز مما قد يتسبب في حدوث صدمة كهربائية.
- ◀ اقبض على العدة الكهربائية أثناء الشغل بكلتا اليدين بإحكام وقف بثبات. يتم توجيه العدة الكهربائية بكلتا اليدين بأمان أكبر.
- ◀ استخدم أجهزة تنقيب ملائمة للعثور على خطوط الامداد المخفية أو استعن بشركة الامداد المحلية. إن ملامسة الخطوط الكهربائية قد يؤدي إلى اندلاع النار وإلى الصدمات الكهربائية. إلتلاف خط الغاز قد يؤدي إلى الانفجارات. اختراق خط الماء يشكل الأضرار المادية أو قد يؤدي إلى الصدمات الكهربائية.
- ◀ اطفئ العدة الكهربائية فوراً عند استعصاء عدة الشغل. استعد لمجابهة عزم رد الفعل العالية التي تسبب الصدمات الارتدادية. تستعصي عدة الشغل عندما:
- يتم فرط تحميل العدة الكهربائية أو
- عندما تنحرف في قطعة الشغل المرغوب معالجتها.
- ◀ أمن قطعة الشغل. يتم القبض على قطعة الشغل التي تم تثبيتها بواسطة تجهيزه شد أو بواسطة الملزمة بأمان أكبر مما لو تم المسك بها بواسطة يدك.
- ◀ انتظر إلى أن تتوقف العدة الكهربائية عن الحركة قبل أن تضعها جانباً. قد تتكلم عدة الشغل فتؤدي إلى فقدان السيطرة على العدة الكهربائية.

تعليمات الأمان

ملاحظات تحذيرية عامة للعدد الكهربائية

⚠ تحذير اقرأ جميع الملاحظات التحذيرية والتعليمات.

إن ارتكاب الأخطاء عند تطبيق الملاحظات التحذيرية والتعليمات قد يؤدي إلى الصدمات الكهربائية، إلى نشوب الحرائق و/أو الإصابة بجروح خطيرة.

احتفظ بجميع الملاحظات التحذيرية والتعليمات للمستقبل.

يقصد بمصطلح "العدد الكهربائية" المستخدم في الملاحظات التحذيرية، العدد الكهربائي الموصولة بالشبكة الكهربائية (بواسطة كابل الشبكة الكهربائية) وأيضاً العدد الكهربائي المزودة بمركم (دون كابل الشبكة الكهربائية).

الأمان بمكان الشغل

حافظ على نظافة وحسن إضاءة مكان شغلك. الفوضى في مكان الشغل ومجالات العمل الغير مضاءة قد تؤدي إلى حدوث الحوادث.

لا تشغل بالعدد الكهربائية في محيط معرض لخطر الانفجار والذي تتوفر فيه السوائل أو الغازات أو الأغبرة القابلة للاشتعال. العدد الكهربائية تشكل الشر الذي قد يتطاير، فيشعل الأغبرة والأبخرة.

حافظ على بقا الأطفال وغيرهم من الأشخاص على بعد عندما تستعمل العدد الكهربائية. قد تفقد السيطرة على الجهاز عند التلهي.

الأمان الكهربائي

يجب أن يتلائم قابس وصل العدد الكهربائية مع المقبس. لا يجوز تغيير القابس بأي حال من الأحوال. لا تستعمل القوابس المهيأة مع العدد الكهربائية المؤرضة تأريض وقائي. تخفص القوابس التي لم يتم تغييرها والمقابس الملائمة من خطر الصدمات الكهربائية.

تجنب ملامسة السطوح المؤرضة كالأنياب ورادياتورات التدفئة والمدافئ أو البرادات بواسطة جسمك. يزداد خطر الصدمات الكهربائية عندما يكون جسمك مؤرض.

أبعد العدد الكهربائية عن الأمطار أو الرطوبة. يزداد خطر الصدمات الكهربائية إن تسرب الماء إلى داخل العدد الكهربائية.

لا تسيء استعمال الكابل لحمل العدد الكهربائية أو تعليقها أو لسحب القابس من المقبس. حافظ على إبعاد الكابل عن الحرارة والزيت والمواف الحادة أو عن أجزاء الجهاز المتحركة. تزيد الكابلات التالفة أو المتشابكة من خطر الصدمات الكهربائية.

استخدم فقط كابلات التمديد الصالحة للاستعمال الخارجي أيضاً عندما تشتغل بالعدد الكهربائية في الخلاء. يخفض استعمال كابل تمديد مخصص للاستعمال الخارجي من خطر الصدمات الكهربائية.

إن لم يكن بالإمكان تجنب تشغيل العدد الكهربائية في الأجواء الرطبة، فاستخدم مفتاح للوقاية من التيار المتخلف. إن استخدام مفتاح للوقاية من التيار المتخلف يقلل خطر الصدمات الكهربائية.

أمان الأشخاص

كن يقظاً وانتبه إلى ما تفعله وقم بالعمل بواسطة العدد الكهربائية بتعقل. لا تستخدم عدة كهربائية عندما تكون متعب أو عندما تكون تحت تأثير المخدرات أو الكحول أو الأدوية. عدم الانتباه للحظة واحدة عند استخدام العدد الكهربائية قد يؤدي إلى إصابات خطيرة.

ارتد عتاد الوقاية الخاص وارتد دائماً نظارات واقية. يحد ارتداء عتاد الوقاية الخاص، كقناع الوقاية من الغبار وأحذية الأمان الواقية من الانزلاق والحد أو واقية الأذنين، حسب نوع واستعمال العدد الكهربائية، من خطر الإصابة بجروح.

تجنب التشغيل بشكل غير مقصود. تأكد من كون العدد الكهربائية مطفاة قبل وصلها بإمداد التيار الكهربائي و/أو بالمركم، وقبل رفعها أو حملها. إن كنت تضع إصبعك على المفتاح أثناء حمل العدد الكهربائية أو إن وصلت الجهاز بالشبكة الكهربائية عندما يكون قيد التشغيل، فقد يؤدي ذلك إلى حدوث الحوادث.

انزع عدد الضبط أو مفتاح الربط قبل تشغيل العدد الكهربائية. قد تؤدي العدد أو المفتاح المتواجد في جزء دوار من الجهاز إلى الإصابة بجروح.

تجنب أوضاع الجسد الغير طبيعية. قف بأمان وحافظ على توازنك دائماً. سيسمح لك ذلك من السيطرة على الجهاز بشكل أفضل في المواقف الغير متوقعة.

ارتد ثياب مناسبة. لا ترتد الثياب الفضفاضة أو الملبي. حافظ على إبقاء الشعر والثياب والقفازات على بعد عن أجزاء الجهاز المتحركة. قد تشاك الثياب الفضفاضة والملبي والشعر الطويل بالأجزاء المتحركة.

إن جاز تركيب تجهيزات شفط وتجميع الغبار، فتأكد من أنها موصولة وبأنه يتم استخدامها بشكل سليم. قد يقلل استخدام تجهيزات لشفط الأغبرة من المخاطر الناتجة عن الأغبرة.

حسن معاملة واستخدام العدد الكهربائية

لا تفرط بتحميل الجهاز. استخدم لتنفيذ أشغالك العدد الكهربائية المخصصة لذلك. إنك تعمل بشكل أفضل وأكثر أماناً بواسطة العدد الكهربائية الملائمة في مجال الأداء المذكور.

لا تستخدم العدد الكهربائية إن كان مفتاح تشغيلها تالف. العدد الكهربائية التي لم تعد تسمح بتشغيلها أو بإطفاؤها خطيرة ويجب أن يتم تصليحها.

اسحب القابس من المقبس و/أو انزع المركم قبل ضبط الجهاز وقبل استبدال قطع التوابع أو قبل وضع الجهاز جانباً. تمنع إجراءات الامتياط هذه تشغيل العدد الكهربائية بشكل غير مقصود.

احتفظ بالعدد الكهربائية التي لا يتم استخدامها بعيداً عن منال الأطفال. لا تسمح باستخدام العدد الكهربائية لمن له خبرة له بها أو لمن لا يقرأ تلك التعليمات. العدد الكهربائية خطيرة إن تم استخدامها من قبل أشخاص دون خبرة.

اعتن بالعدد الكهربائية بشكل جيد. تفحص عما إذا كانت أجزاء الجهاز المتحركة تعمل بشكل سليم وبأنها غير مستعصية عن الحركة أو إن كانت هناك أجزاء مكسورة أو تالفة لدرجة تؤثر فيها على حسن أداء العدد الكهربائية. ينبغي تصليح هذه الأجزاء التالفة قبل إعادة تشغيل الجهاز. الكثير من الحوادث مصدرها العدد الكهربائية التي تم صيانتها بشكل رديء.

GSB 16 RE

برای انجام برخی از کارهای دقیق و خاصی، از یک پایه مته (متعلقات) استفاده کنید.

با گیره اتصال دستگاه که بطور جداگانه عرضه میشود، میتوان قطعه کار را بطور مطمئن محکم مهار نمود. این از کج شدن قطعه و سوانح احتمالی جلوگیری بعمل می آورد.

مراقبت و سرویس

مراقبت، تعمیر و تمیز کردن دستگاه

◀ پیش از انجام هرگونه کاری بر روی ابزار الکتریکی، دوشاخه اتصال آنرا از داخل پریز برق بیرون بکشید.

◀ ابزار الکتریکی و شیارهای تهویه آنرا تمیز نگاه دارید، تا ایمنی شما در کار تضمین گردد.

در صورت نیاز به یک کابل یدکی برای اتصال به شبکه برق، بایستی به شرکت بوش و یا به نمایندگی مجاز بوش (خدمات پس از فروش) برای ابزار آلات برقی بوش مراجعه کنید تا از بروز خطرات ایمنی جلوگیری بعمل آید.

خدمات پس از فروش و مشاوره با مشتریان

دفتر خدمات پس از فروش به سئوالات شما در باره تعمیرات، سرویس و همچنین قطعات یدکی و متعلقات پاسخ خواهد داد. تصاویر و اطلاعات در باره قطعات یدکی و متعلقات در میتوانید در سایت نامبرده زیر جستجو نمایید:

www.bosch-pt.com

تیم مشاور خدمات پس از فروش شرکت بوش با کمال میل به سئوالات شما در باره خرید، طرز استفاده و تنظیم محصولات و متعلقات پاسخ میدهد.

برای هرگونه سوال و یا سفارش ابزار یدکی و متعلقات، حتماً شماره فنی ده رقمی کالا را مطابق برچسب روی ابزار برقی اطلاع دهید.

برای استفاده از گارانتی، تعمیر دستگاه و تهیه ابزار یدکی فقط به افراد متخصص مراجعه کنید.

از رده خارج کردن دستگاه

ابزار برقی، متعلقات و بسته بندی آن، باید طبق مقررات حفظ محیط زیست از رده خارج و بازیافت شوند.

ابزارهای برقی را داخل زباله دان خانگی نیاندازید!

حق هرگونه تغییری محفوظ است.

نحوه روشن و خاموش کردن

برای روشن کردن ابزار برقی، کلید قطع و وصل 6 را فشار داده و آنرا در حالت فشرده نگهدارید.

برای قفل و تثبیت کلید قطع و وصل 6 در حالی که به داخل فشرده باشد، دکمه تثبیت 5 را فشار دهید.

برای خاموش کردن ابزار برقی، کلید قطع و وصل 6 را رها کنید و اگر کلید قطع و وصل بوسیله دکمه تثبیت 5 ثابت مانده باشد، کلید قطع و وصل 6 را کمی فشار داده و آنرا دوباره رها کنید.

جهت صرفه جویی در انرژی، ابزار برقی را فقط وقتی روشن کنید که می خواهید از آن استفاده کنید.

نحوه تنظیم سرعت و تعداد ضربه ها (GSB 10 RE / GSB 13 RE / GSB 16 RE)

شما میتوانید سرعت/تعداد ضربه را در حالت روشن بودن ابزار برقی بدون درجه بندی بر حسب اینکه تا چه حد کلید قطع و وصل 6 را فشار دهید، تنظیم کنید.

فشار آرام روی کلید قطع و وصل 6 شدت دور موتور و تعداد ضربه ها را کاهش میدهد. افزایش فشار باعث افزایش سرعت و تعداد ضربه ها میشود.

نحوه انتخاب سرعت و تعداد ضربه ها (GSB 16 RE)

بوسیله کلید قابل چرخش 7 برای تنظیم و انتخاب سرعت، میتوان سرعت و تعداد ضربه های لازم را درحال حرکت دستگاه (کارکرد) نیز تنظیم کرد.

میزان سرعت و تعداد ضربه ها به جنس قطعه کار و شرایط کار بستگی داشته و طبق تجربه عملی بدست می آید.

راهنمایی های عملی

◀ ابزار برقی را تنها در حالت خاموش روی پیچ و یا مهره قرار دهید. امکان لغزش ابزار در حال چرخش وجود دارد.

◀ ابزار الکتریکی را هنگام کار، با هر دو دست محکم گرفته و جایگاه مطمئن برای خود انتخاب کنید. ابزار برقی را میتوان با دو دست بهتر و مطمئن تر بکار گرفت و آنرا هدایت کرد.

پس از مدتی کار تمت سرعت کم، بایستی ابزار برقی را برای خنک شدن به مدت تقریباً 3 دقیقه با حداکثر سرعت در حالت آزاد بکار اندازید.

برای سوراخ کردن کاشی کلید تغییر نوع عملکرد 4 را روی علامت «سوراخ کاری» قرار دهید. پس از سوراخ کردن کاشی کلید تغییر نوع عملکرد را روی علامت «دریل کاری ضربه ای» قرار داده و با ضربه کار کنید.

برای کار روی بتن، مواد سنگی و قطعات آجری از مته های فلز سخت استفاده کنید.

برای مته کاری در فلزات فقط از مته های سالم و تیز از جنس HSS، (فولاد قوی سریع = HSS) استفاده کنید. لیست ابزار و متعلقات شرکت بوش تضمین کننده بهترین کیفیت ابزار میباشد.

بوسیله ابزار تیز کردن مته (متعلقات) میتوانید مته هایی با قطر 10-2,5 میلیمتر را به راحتی تیز کنید.

مکش گرد، براده و تراشه

گرد و غبار موادی مانند رنگ های دارای سرب، بعضی از چوب ها، مواد معدنی و فلزات میتوانند برای سلامتی مضر باشند. دست زدن و یا تنفس کردن گرد و غبار ممکن است باعث بروز آلرژی و یا بیماری مجاری تنفسی شخص استفاده کننده و یا افرادی که در آن نزدیکی میباشند، بشود.

گرد و غبارهای مخصوصی مانند گرد و غبار درخت بلوط و یا درخت راش سرطان زا هستند. بخصوص ترکیب آنها با سایر موادی که برای کار بر روی چوب (کرومات، مواد برای محافظت از چوب) بکار برده میشوند. فقط افراد متخصص مجازند با موادی که دارای آزرست میباشند کار کنند.

- توجه داشته باشید که محل کار شما از تهویه هوای کافی برخوردار باشد.

- توصیه میشود از ماسک تنفسی ایمنی با درجه فیلتر P2 استفاده کنید.

به قوانین و مقررات معتبر در کشور خود در رابطه با استفاده از مواد و قطعات کاری توجه کنید.

◀ از تجمع گرد و غبار در محل کار خود جلوگیری بعمل آورید. گرد و غبار می توانند به آسانی مشتعل شوند.

طرز کار با دستگاه

راه اندازی و نحوه کاربرد دستگاه

◀ به ولتاژ برق شبکه توجه کنید! ولتاژ منبع جریان برق باید با مقادیر موجود بر روی برچسب ابزار الکتریکی مطابقت داشته باشد. ابزارهای برقی را که با ولتاژ 230 V ولت مشخص شده اند، می توان تحت ولتاژ 220 V ولت نیز بکار برد.

تنظیم جهت چرخش (رجوع شود به تصاویر H-G) (GSB 10 RE / GSB 13 RE / GSB 16 RE)

با کمک کلید تغییر جهت چرخش 8 میتوانید جهت چرخش ابزار برقی را تغییر دهید. این عمل در حالتی که کلید قطع و وصل 6 فشرده باشد، امکان پذیر نیست.

چرخش راست گرد: برای سوراخکاری و برای بستن پیچ، کلید تغییر جهت چرخش 8 را تا نقطه ایست به سمت چپ فشار دهید.

چرخش چپ گرد: برای باز کردن و بیرون آوردن پیچ ها و مهره ها، کلید تغییر جهت چرخش 8 را تا نقطه ایست به سمت راست فشار دهید.

نحوه انتخاب نوع کار

سوراخ کاری و پیچکاری
کلید انتخاب نوع عملکرد 4 را بر روی علامت «سوراخ کاری» قرار دهید.



دریل کاری ضربه ای
کلید انتخاب نوع عملکرد 4 را بر روی علامت «دریل کاری ضربه ای» قرار دهید.



کلید انتخاب نوع عملکرد 4 بطور محسوسی جا می افتد و میتواند درحالت حرکت دستگاه نیز فعال شود.

سریوش (مهره) عقبی 3 سه نظام اتوماتیک 1 را محکم نگاه دارید و سریوش (مهره) جلویی 2 را بوسیله دست محکم به سمت چرخش 2 بچرخانید تا دیگر صدای قفل شدن آن (صدای کلیک) قابل شنیدن نباشد. سه نظام از این طریق بطور اتوماتیک قفل میشود.

جهت باز کردن قفل و بیرون آوردن ابزار، پوشش مهره (آداپتور) جلویی 2 را در جهت مخالف بچرخانید.

سه نظام معمولی (دندانه ای) (رجوع شود به تصویر C)
◀ برای تعویض ابزار از دستکش ایمنی استفاده کنید. سه نظام ممکن است در اثر کار طولانی بیش از حد گرم شود.

سه نظام معمولی (دندانه ای) 15 را با چرخاندن آن تا حدی باز کنید که بتوان ابزار را داخل آن قرار داد. ابزار را قرار دهید.

آچار سه نظام 14 را داخل سوراخهای مربوطه سه نظام معمولی (دندانه ای) 15 قرار دهید و ابزار را بطور یکنواخت مهار کنید.

ابزار برای پیچکاری (رجوع شود به تصویر D)

هنگام استفاده از سریپیچگوشی های 17 باید همیشه از یک رابط سریپیچگوشی 16 برای انواع سر پیچگوشی ها (نگهدارنده یونیورسال) استفاده کنید. تنها از سر پیچگوشی هایی استفاده کنید که با اندازه سریپیچ (گل پیچ) متناسب باشند.

برای انجام عملیات پیچکاری، کلید انتخاب نوع عملکرد 4 برای «سوراخ کاری/دریل کاری ضربه ای» را همواره بر روی علامت «سوراخ کاری» قرار دهید.

نحوه تعویض سه نظام

نحوه برداشتن سه نظام (رجوع شود به تصویر E)

برای باز کردن سه نظام اتوماتیک 1، یک آچار آلن شش گوش 18 را در سه نظام اتوماتیک 1 قرار دهید و یک آچار تخت 19 (دهانه آچار ۱۲ میلیمتر) را در محل قرارگاه آچار در محور محرک قرار دهید. ابزار برقی را بر روی یک سطح ثابت و محکم، بطور مثال بر روی یک میز کار قرار دهید. آچار تخت 19 را محکم نگهدارید و سه نظام اتوماتیک 1 را از طریق چرخاندن آچار آلن شش گوش 18 در جهت چرخش 1 کمی باز (شل) کنید. در صورت گیر کردن و محکم بودن سه نظام اتوماتیک، میتوان بوسیله یک ضربه آهسته بر روی میله (شفت) بلند آچار آلن 18، آنرا آزاد کرد. آچار آلن را از سه نظام اتوماتیک بردارید و سه نظام اتوماتیک را بطور کامل باز کنید.

برای باز کردن سه نظام معمولی (دندانه ای) 15 نیز مانند نحوه باز کردن سه نظام اتوماتیک عمل کنید.

نصب سه نظام (رجوع شود به تصویر F)

برای نصب سه نظام اتوماتیک و سه نظام معمولی (دندانه ای) باید سلسله مراتب فوق را بطور معکوس اجرا کنید.

سه نظام دستگاه باید با گشتاور مهار تقریبی 35-30 (نیوتن متر) محکم شود.



- 11 دسته کمکی (با روکش عایق دار)*
 12 تنظیم کننده عمق*
 13 دسته (با روکش عایق دار)
 14 آچار سه نظام*
 15 سه نظام معمولی (دندان ه ای)*
 16 نگهدارنده یونیورسال/رابط سریپیگوشتی برای انواع سریپیگوشتی ها*
- 17 سریپیگوشتی*
 18 آچار آلن شش گوش**
 19 آچار تخت**
- * کلیه متعلقاتی که در تصویر و یا در متن آمده است، بطور معمول همراه دستگاه ارائه نمی شود. لطفاً لیست کامل متعلقات را از فهرست برنامه متعلقات اقتباس نمایند.
 ** قابل خرید در بازار (همراه با دستگاه عرضه نمیشود)

مشخصات فنی

16 RE	16	13 RE	13	10 RE	10	GSB...	دریل/پیچ گوشتی ضربه ای
B18 1..		B17 1..					شماره فنی
B18 6..	B18 0..	B17 6..	B17 0..	B16 1..	B16 0..	3 601 ...	قدرت ورودی نامی
701	701	600	600	500	500	W	قدرت خروجی
351	351	301	301	250	250	W	سرعت در حالت آزاد
0-3000	3000	0-2800	2800	0-2600	2600	min ⁻¹	حداکثر سرعت چرخش تحت فشار (در حین عملکرد)
1640	1640	1570	1570	1610	1610	min ⁻¹	تعداد ضربه
26270	26270	25070	25070	25700	25700	min ⁻¹	گشتاور نامی
2,0	2,0	1,8	1,8	1,5	1,5	Nm	انتخاب سرعت
●	-	-	-	-	-		چرخش راست گرد/ چپ گرد
●	-	●	-	●	-		قطر محور گلوئی Ø
43	43	43	43	43	43	mm	حداکثر قطر سوراخ کاری Ø
							- بتن
16	16	13	13	10	10	mm	- فولاد
12	12	10	10	8	8	mm	- چوب
30	30	25	25	20	20	mm	
1,5-13	1,5-13	1,5-13	1,5-13	1,5-10	1,5-10	mm	دامنه مهار سه نظام
							وزن مطابق استاندارد EPTA-Procedure 01:2014
1,9	1,9	1,8	1,8	1,5	1,5	kg	کلاس ایمنی
II/□	II/□	II/□	II/□	II/□	II/□		

این اطلاعات برای ولتاژ نامی [U] 230V ولت می باشند و در صورت تغییر ولتاژ و یا در کشورهای دیگر می توانند تغییر کنند.

نصب

- ◀ پیش از انجام هرگونه کاری بر روی ابزار الکتریکی، دوشاخه اتصال آنرا از داخل پریز برق بیرون بکشید.

دسته کمکی (رجوع شود به تصویر A) (GSB 13 / GSB 13 RE / GSB 16 / GSB 16 RE)

- ◀ از ابزار برقی خود فقط همراه با دسته کمکی 11 استفاده کنید.

شما می توانید دسته کمکی 11 را به اندازه دلخواه بچرخانید، بطوریکه خوبی کار کرده و کمتر خسته شوید. پیچ خروسکی 10 برای تنظیم دسته کمکی را بر خلاف جهت حرکت عقربه ساعت بچرخانید و با چرخاندن دسته کمکی 11، آنرا در حالت دلخواه قرار دهید. سپس پیچ خروسکی 10 را با چرخاندن آن در جهت حرکت عقربه ساعت، مجدداً محکم کنید.

تعویض ابزار

سه نظام اتوماتیک (رجوع شود به تصویر B)

پوشش مهره (آداپتور) عقبی 3 سه نظام اتوماتیک 1 را محکم نگاه دارید و مهره (آداپتور) جلویی 2 را در جهت چرخش 1 بچرخانید تا بتوان ابزار را داخل ابزارگیر قرار داد. ابزار را جا گذاری کنید.

- ◀ برای یافتن لوله ها و سیمهای برق پنهان تأسیسات، از دستگاه های ردیاب مناسب آن استفاده کنید و در صورت نیاز با شرکت های کارهای تأسیسات ساختمان محل تماس بگیرید. تماس با سیم های برق میتواند باعث آتش سوزی و یا برق گرفتگی شود. آسیب دیدن لوله گاز می تواند باعث ایجاد انفجار شود. سوراخ شدن لوله آب، باعث خسارت و یا برق گرفتگی میشود.
- ◀ در صورت گیر کردن و بلوکه شدن ابزار، ابزار برقی (دستگاه) را فوراً خاموش کنید. در این حالت مواظب واکنش های شدید گشتاور باشید که باعث پس زدن (ضربه زدن) دستگاه میشود. ابزار کار ممکن است در این حالت گیر کند:
 - در صورتیکه به ابزار برقی فشار بیش از حد وارد شود و یا
 - ابزار به قطعه کار گیر کند.
- ◀ قطعه کار را محکم کنید. در صورتیکه قطعه کار به وسیله تجهیزات نگهدارنده و یا بوسیله گیره محکم شده باشد، قطعه کار مطمئن تر نگه داشته میشود، تا اینکه بوسیله دست نگهداشته شود.
- ◀ قبل از کنار گذاشتن ابزار برقی صبر کنید تا دستگاه بطور کامل از کار و حرکت بایستد. ابزار و ملحقات دستگاه ممکن است به قطعه کار گیر کرده و کنترل ابزار برقی از دست شما خارج شود.

تشریح دستگاه و عملکرد آن

کلید دستورات ایمنی و راهنمایی ها را مطالعه کنید. اشتباهات ناشی از عدم رعایت این دستورات ایمنی ممکن است باعث برق گرفتگی، سوختگی و یا سایر جراحات های شدید شود.



موارد استفاده از دستگاه

این ابزار برقی برای دریل کاری ضربه ای در آجر، بتن، سنگ، و همچنین سوراخ کاری در چوب، فلزات، سرامیک و مواد پلاستیکی مناسب است. دستگاههای مجهز به کنترل الکترونیکی و قابلیت چرخش راست گرد و چپ گرد برای پیچ گوشتی کاری و قلاویز کاری نیز مناسب میباشد.

اجزاء دستگاه

شماره های اجزاء، دستگاه که در تصویر مشاهده میشود، مربوط به شرح ابزار برقی می باشد که تصویر آن در این دفترچه آمده است.

- 1 سه نظام اتوماتیک*
- 2 پوشش مهره (آداپتور) جلوئی
- 3 پوشش مهره (آداپتور) عقبی
- 4 کلید انتخاب نوع عملکرد دریل کاری (سوراخ کاری)/ دریل کاری ضربه ای
- 5 دکمه قفل و تثبیت کلید قطع و وصل دستگاه
- 6 کلید قطع و وصل
- 7 کلید تنظیم و انتخاب سرعت (کلید دیمر) (GSB 16 RE)
- 8 کلید تغییر جهت چرخش (GSB 10 RE / GSB 13 RE / GSB 16 RE)
- 9 دکمه برای تعیین و تنظیم عمق سوراخ*
- 10 پیچ خرواسکی برای تنظیم دسته دسته کمکی*

- ◀ قبل از تنظیم ابزار الکتریکی، تعویض متعلقات و یا کنار گذاشتن آن، دوشاخه را از برق کشیده و یا باتری آنرا خارج کنید. رعایت این اقدامات پیشگیری ایمنی از راه افتادن ناخواسته ابزار الکتریکی جلوگیری می کند.
- ◀ ابزار الکتریکی را در صورت عدم استفاده، از دسترس کودکان دور نگهدارید. اجازه ندهید که افراد ناوارد و یا اشخاصی که این دفترچه راهنما را نخوانده اند، با این دستگاه کار کنند. قرار گرفتن ابزار الکتریکی در دست افراد ناوارد و بی تجربه خطرناک است.
- ◀ از ابزار الکتریکی خوب مراقبت کنید. مواظب باشید که قسمت های متمرک دستگاه خوب کار کرده و گیر نکنند. همچنین دقت کنید که قطعات ابزار الکتریکی شکسته و یا آسیب دیده نباشند. قطعات آسیب دیده را قبل از شروع به کار تعمیر کنید. علت بسیاری از سوانح کاری، عدم مراقبت کامل از ابزارهای الکتریکی می باشد.
- ◀ ابزار برش را تیز و تمیز نگهدارید. ابزار برشی که خوب مراقبت شده و از لبه های تیز برخوردارند، کمتر در قطعه کار گیر کرده و بهتر قابل هدایت می باشند.
- ◀ ابزارهای الکتریکی، متعلقات، ابزاری که روی دستگاه نصب می شوند و غیره را مطابق دستورات این جزوه راهنما طوری به کار بگیرید که با مدل این دستگاه تناسب داشته باشند. همچنین به شرایط کاری و نوع کار توجه کنید. کاربرد ابزار برقی برای موارد کاری که برای آن در نظر گرفته نشده است، میتواند شرایط خطرناکی را منجر شود.

سرویس

- ◀ برای تعمیر ابزار الکتریکی فقط به متخصصین حرفه ای رجوع کرده و از وسائل یدکی اصل استفاده کنید. این باعث خواهد شد که ایمنی دستگاه شما تضمین گردد.

نکات ایمنی برای استفاده از دریل ها

- ◀ به هنگام کار با دریل ضربه ای از گوشی ایمنی استفاده کنید. تحت تأثیر سر و صدا ممکن است به شنوایی شما آسیب برسد.
- ◀ از دسته کمکی استفاده کنید، چنانچه به همراه ابزار برقی ارسال شده باشد. از دست دادن کنترل بر ابزار برقی می تواند به کاربر آسیب برساند.
- ◀ چنانچه بسته به نوع کار خود، امکان تماس متعلقات ابزار با کابل های برق (داخل ساختمان) که قابل رؤیت نیستند و یا کابل خود ابزار برقی وجود داشته باشد، بایستی ابزار برقی را از محل دسته و سطوح عایق دار آن در دست بگیرید. تماس با سیم و کابلی که هادی جریان برق است، می تواند جریان برق را به بخش های فلزی دستگاه نیز انتقال دهد و باعث برق گرفتگی شود.
- ◀ ابزار الکتریکی را هنگام کار، با هر دو دست محکم گرفته و جایگاه مطمئنی برای خود انتخاب کنید. ابزار برقی را میتوان با دو دست بهتر و مطمئن تر بکار گرفت و آنرا هدایت کرد.

فارسی

راهنمائی های ایمنی

راهنمائی های ایمنی عمومی برای ابزارهای الکتریکی

هشدار همه دستورات ایمنی و راهنمائی ها را بخوانید. اشتباهات ناشی از عدم رعایت این دستورات ایمنی ممکن است باعث برق گرفتگی، سوختگی و یا سایر جراحات های شدید شود.

همه هشدار های ایمنی و راهنمائی ها را برای آینده خوب نگهداری کنید.

هر جا در این راهنما از «ابزار الکتریکی» صحبت میشود، منظور ابزارهای الکتریکی (با سیم برق) و یا ابزارهای الکتریکی باطری دار (بدون سیم برق) می باشد.

ایمنی محل کار

محل کار خود را تمیز، مرتب و مجزه به نور کافی نگهدارید. محیط کار نامرتب و کم نور میتواند باعث سوانح کاری شود.

با ابزار الکتریکی در محیط هایی که در آن خطر انفجار وجود داشته و حاوی مایعات، گازها و بخارهای محترقه باشد، کار نکنید. ابزار های الکتریکی جرقه هایی ایجاد می کنند که می توانند باعث آتش گرفتن گرد و غبارهای موجود در هوا شوند.

هنگام کار با ابزار الکتریکی، کودکان و سایر افراد را از دستگاه دور نگهدارید. در صورتیکه حواس شما پرت شود، ممکن است کنترل دستگاه از دست شما خارج شود.

ایمنی الکتریکی

دوشاخه ابزار الکتریکی باید با پریز برق تناسب داشته باشد. هیچگونه تغییری در دوشاخه ندهید. مبدل دوشاخه نباید همراه با ابزار الکتریکی دارای اتصال به زمین استفاده شود. دوشاخه های اصل و تغییر داده نشده و پریزهای مناسب، خطر شوک الکتریکی و برق گرفتگی را کم می کنند.

از تماس بدنی با قطعات متصل به سیم اتصال به زمین مانند لوله، شوفاز، اجاق برقی و یخچال خودداری کنید. در صورت تماس بدنی با سطوح و قطعات دارای اتصال به زمین و همچنین تماس شما با زمین، خطر برق گرفتگی افزایش می یابد.

دستگاه را از باران و رطوبت دور نگهدارید. نفوذ آب به ابزار الکتریکی، خطر شوک الکتریکی را افزایش میدهد.

از سیم دستگاه برای کارهایی چون حمل ابزار الکتریکی، آویزان کردن آن و یا خارج کردن دوشاخه از برق استفاده نکنید. کابل دستگاه را در مقابل حرارت، روغن، لبه های تیز و بخش های متحرک دستگاه دور نگهدارید. کابل های آسیب دیده و یا گره خورده خطر شوک الکتریکی را افزایش میدهند.

در صورتیکه با ابزار الکتریکی در محیط باز کار میکنید، تنها از کابل رابطی استفاده کنید که برای محیط باز نیز مناسب باشد. کابل های رابط مناسب برای محیط باز، خطر برق گرفتگی را کم می کنند.

در صورت لزوم کار با ابزار برقی در محیط و اماکن مرطوب، باید از یک کلید حفاظتی جریان خطا و نشتی زمین (کلید قطع کننده اتصال با زمین) استفاده کنید. استفاده از کلید حفاظتی جریان خطا و نشتی زمین خطر برق گرفتگی را کاهش می دهد.

رعایت ایمنی اشخاص

حواس خود را خوب جمع کنید، به کار خود دقت کنید و با فکر و هوش کامل با ابزار الکتریکی کار کنید. در صورت خستگی و یا در صورتیکه مواد مخدر، الکل و دارو استفاده کرده اید، با ابزار الکتریکی کار نکنید. یک لحظه بی توجهی هنگام کار با ابزار الکتریکی، میتواند جراحات های شدیدی به همراه داشته باشد.

از تجهیزات ایمنی شخصی و از عینک ایمنی همواره استفاده کنید. استفاده از تجهیزات ایمنی مانند ماسک ایمنی، کفش های ایمنی ضد لغزش، کلاه ایمنی و گوشی ایمنی متناسب با نوع کار با ابزار الکتریکی، خطر مجروح شدن را کاهش میدهد.

مواظب باشید که ابزار الکتریکی بطور ناخواسته بکار نیفتد. قبل از وارد کردن دوشاخه دستگاه در پریز برق، اتصال آن به باطری، برداشتن آن و یا حمل دستگاه، باید دقت کنید که ابزار الکتریکی خاموش باشد. در صورتیکه هنگام حمل دستگاه انگشت شما روی دکمه قطع و وصل باشد و یا دستگاه را در حالت روشن به برق بزنید، ممکن است سوانح کاری پیش آید.

قبل از روشن کردن ابزار الکتریکی، باید همه ابزارهای تنظیم کننده و آچار ها را از روی دستگاه بردارید. ابزار و آچارهایی که روی بخش های چرخنده دستگاه قرار دارند، میتوانند باعث ایجاد جراحات شوند. وضعیت بدن شما باید در حالت عادی قرار داشته باشد. برای کار جای مطمئنی برای خود انتخاب کرده و تعادل خود را همواره حفظ کنید. به این ترتیب می توانید ابزار الکتریکی را در وضعیت های غیر منتظره بهتر تحت کنترل داشته باشید.

لباس مناسب بپوشید. از پوشیدن لباس های گشاد و حمل زینت آلات خودداری کنید. موها، لباس و دستکش ها را از بخش های در حال چرخش دستگاه دور نگهدارید. لباس های گشاد، موی بلند و زینت آلات ممکن است در قسمت های در حال چرخش دستگاه گیر کنند.

در صورتیکه میتوانید وسایل مکش گرد و غبار و یا وسیله جمع کننده گرد و غبار را به دستگاه نصب کنید، باید مطمئن شوید که این وسایل درست نصب و استفاده می شوند. استفاده از وسایل مکش گرد و غبار مصونیت شما را در برابر گرد و غبار زیاد تر میکند.

استفاده صحیح از ابزار الکتریکی و مراقبت از آن

از وارد کردن فشار زیاد روی دستگاه خودداری کنید. برای هر کاری، از ابزار الکتریکی مناسب با آن استفاده کنید. بکار گرفتن ابزار الکتریکی مناسب باعث میشود که بتوانید از توان دستگاه بهتر و با اطمینان بیشتر استفاده کنید.

در صورت ایراد در کلید قطع و وصل ابزار برقی، از دستگاه استفاده نکنید. ابزار الکتریکی که نمی توان آنها را قطع و وصل کرد، خطرناک بوده و باید تعمیر شوند.