

Features

- Opto Isolation
4000VAC
- Zero Volt Switching or
Random Switching
(see table)
- TTL/CMOS
Compatible (Sink
mode)
- Integrated Snubber
- LED Status Indication
- Reverse Voltage
Protection for DC/AC
Types
- Output: NO/NC
Configuration
- Terminals are
polarised to prevent
reverse connection
- Built in Safety Cover
to Meet IP 20
Protection

RS PRO Panel Mount Single Phase Solid-State Relays SCR Output

RS Stock No.: See table below



RS Professionally Approved Products bring to you professional quality parts across all product categories. Our product range has been tested by engineers and provides a comparable quality to the leading brands without paying a premium price.

Product Description

The panel mount relays are widely used in industrial switching applications such as control of heaters, motors, solenoid, lighting, and microcontroller-based systems. SSR switching is preferred due to high reliability and long life and in electrically harsh environment.

Ratings are offered starting from 10 Amps to 50 Amps for 240, 480 and 600 volts applications.

General Specifications

Mounting	Panel Mount
Dimensions, mm	57.75mm x 46.6mm x 36.5mm
Weight	See table on page 4

Electrical Specifications

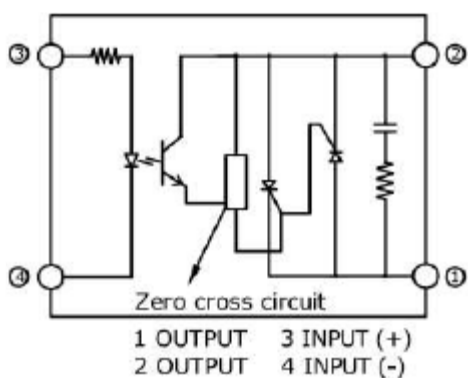
Control Voltage Range	See table on page 4
Control Current Range	See table on page 4
Pick-up Voltage	See table on page 4
Drop-out Voltage	See table on page 4
Input Resistance	See table on page 4
RMS on state Current	See table on page 4
Rep Peak Off state Voltage	600 Vac
Peak one cycle surge Current (Non-Rep)	See table on page 4
On state Voltage Drop	1.6Vac
Off state Leakage current	5mA
Zero T-On Voltage	25Vpk
Critical Rate of Rise Off state Voltage	See table on page 4
Holding Current	See table on page 4
Fuse Current	See table on page 4

Thermal Resistance	See table on page 4
Turn-On delay	10ms
Turn-Off delay	10ms
Frequency Range	47-63 Hz
Operating Temp	-30 ° to 80 ° OC

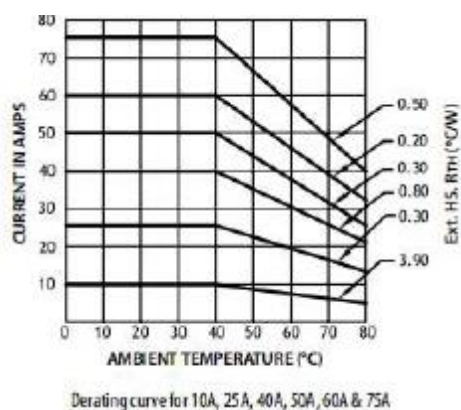
Approvals

Declarations	UL, CE, UKCA
Standards Met	IEC 62314 & IEC 62368-1

Schematic : 001SJ/K

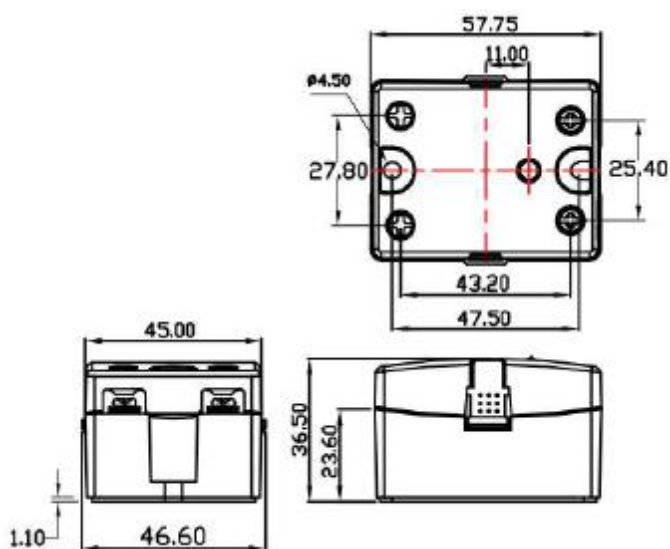


Derating Curve :



Mechanical Drawing :

Weight : 140 grams



Similar Products

Stock No.	Brand	Product Description	RMS on-state current	Control Voltage range	Control Current range	Pick-up Voltage	Drop-out voltage	Holding Current	Input Res KΩ	Peak one cycle surge Current (Non-Rep)	Critical Rate of Rise Off state Voltage	Fuse Current	Thermal Resistance
2537285	RS PRO	Solid State Relay, 240Vac (Zero-volt Switching)	10 Amp	3-32 Vdc	20mA	3Vdc	1 Vdc	50mA	1.8KΩ	100ITSM	200V/μs	50A ² s	2.0°C/W
2537286	RS PRO	Solid State Relay, 240Vac (Zero-volt Switching)	25 Amp	3-32 Vdc	3-25mA	3Vdc	1 Vdc	50mA	Current Regulator	300 ITSM	300V/μs	510A ² s	2.35°C/W
2537287	RS PRO	Solid State Relay, 240Vac (Zero-volt Switching)	50 Amp	3-32 Vdc	25mA	3Vdc	1 Vdc	70mA	Current Regulator	520ITSM	500V/μs	1250A ² s	0.63°C/W
2537288	RS PRO	Solid State Relay, 480Vac (Zero-volt Switching)	10 Amp	3-32 Vdc	1-25mA	3Vdc	1 Vdc	30mA	1.2KΩ	83 ITSM	200V/μs	41A ² s	3.0°C/W
2537290	RS PRO	Solid State Relay, 480Vac (Zero-volt Switching))	25 Amp	3-32 Vdc	1-25mA	3Vdc	1 Vdc	50mA	1.2KΩ	300ITSM	300V/μs	510A ² s	2.35°C/W
2537291	RS PRO	Solid State Relay, 480Vac (Zero-volt Switching)	50 Amp	3-32 Vdc	1-25mA	3Vdc	1 Vdc	150mA	1.2KΩ	520ITSM	1000V/μs	1350A ² s	1.0°C/W
2537293	RS PRO	Solid State Relay, 480Vac (Random Switching)	10 Amp	3-32 Vdc	1-25mA	3Vdc	1 Vdc	30mA	1.2KΩ	83 ITSM	200V/μs	41A ² s	3.0°C/W
2537294	RS PRO	Solid State Relay, 480Vac (Random Switching)	25 Amp	3-32 Vdc	1-25mA	3Vdc	1 Vdc	50mA	1.2KΩ	300ITSM	300V/μs	510A ² s	2.35°C/W
2537296	RS PRO	Solid State Relay, 480Vac (Random Switching)	50 Amp	3-32 Vdc	1-25mA	3Vdc	1 Vdc	150mA	1.2KΩ	520ITSM	1000V/μs	1350A ² s	1.0°C/W
2537297	RS PRO	Solid State Relay, 600Vac (Random Switching)	25 Amp	3-32 Vdc	6-25mA	3Vdc	1 Vdc	100mA	Current Regulator	300ITSM	500V/μs	450A ² s	1.5°C/W
2537292	RS PRO	Solid State Relay, 600Vac (Zero-volt Switching))	40 Amp	3-32 Vdc	8-30mA	3Vdc	1 Vdc	120mA	Current Regulator	500ITSM	1000V/μs	1250A ² s	0.6°C/W
2537298	RS PRO	Solid State Relay, 600Vac (Random Switching)	40 Amp	3-32 Vdc	8-30mA	3Vdc	1 Vdc	12mA	Current Regulator	500ITSM	1000V/μs	1250A ² s	0.6°C/W
2537282	RS PRO	Solid State Relay, 240Vac (Random Switching)	10 Amp	3-32 Vdc	1-20mA	3Vdc	1 Vdc	50mA	1.6KΩ	100ITSM	400V/μs	55A ² s	2.4°C/W
2537276	RS PRO	Solid State Relay, 240Vac (Zero-volt Switching)	10 Amp	3-32 Vdc	1-20mA	3Vdc	1 Vdc	50mA	1.6KΩ	100ITSM	400V/μs	55A ² s	2.4°C/W
2537283	RS PRO	Solid State Relay, 240Vac (Random Turn-on)	25 Amp	3-32 Vdc	1-20mA	3Vdc	1 Vdc	150mA	Current Regulator	250ITSM	250V/μs	300A ² s	1.5°C/W
2537277	RS PRO	Solid State Relay, 240Vac (Zero-volt Switching)	25 Amp	3-32 Vdc	1-20mA	3Vdc	1 Vdc	150mA	Current Regulator	250ITSM	250V/μs	300A ² s	1.5°C/W
2537284	RS PRO	Solid State Relay, 240Vac (Random Switching)	40 Amp	3-32 Vdc	3-25mA	3Vdc	1 Vdc	120mA	Current Regulator	335ITSM	575V/μs	664A ² s	0.97°C/W
2537278	RS PRO	Solid State Relay, 240Vac (Zero-volt Switching)	40 Amp	3-32 Vdc	3-25mA	3Vdc	1 Vdc	120mA	Current Regulator	335ITSM	575V/μs	664A ² s	0.97°C/W