

## 3470UOR100P62

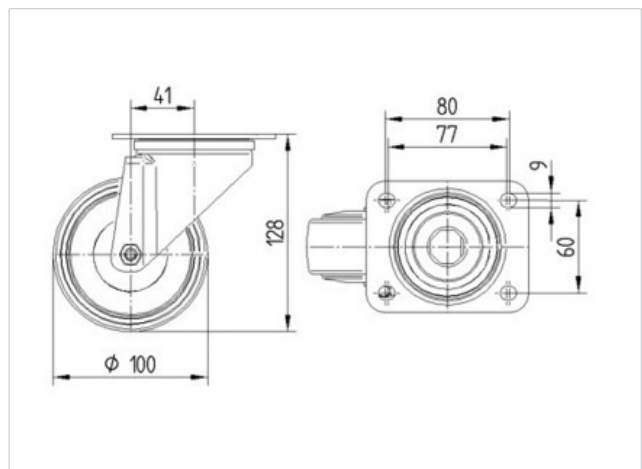
EAN 4031582010565

Swivel castor, housing made of pressed steel, bright zinc plated, blue passivated, double ball bearing swivel head, wheel axle with nut, dustguard, plate fitting.

Wheel centre made of Polyamide, roller bearing

Technical Data	
Wheel diameter	100 mm
Width of Tread	36 mm
Size of Plate	105 x 85 mm
Plate hole centres	80/77 x 60 mm
Plate hole	9 mm
Offset	41 mm
Swivel Interference	182 mm
Overall height	128 mm
Temperature	- 40 / + 80 °C
Standard	EN 12532
Weight	0.796 kg
Swivel Radius	91 mm
Hardness of tread	D 75 Shore
Load capacity	200 kg
Load capacity (static)	400 kg

Roll performance	+	+	+	+	+
Movement noise	+	+	+	+	+
Attrition	+	+	+	+	+
Corrosion resistance	+	+	+	+	+



# Product Information



## 3470UOR100P62

EAN 4031582010565

