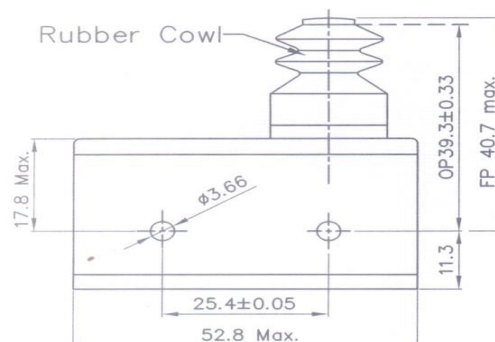


FEATURES

- SINGLE-POLE, CHANGEOVER SNAP-ACTING SWITCH.
- SLIGHTLY INCREASED CASE DIMENSIONS IN COMPARISON TO SIMILAR SWITCHES.
- ROBUST SPRING PLUNGER PROTECTED BY FLEXIBLE COWL.
- SCREW TERMINALS LOCATED IN PROTECTED WIRING CHANNELS.
- CONFORM TO IEC 1508-1 STANDARD.

RS PRO Miniature Micro Switch

RS Stock No.: 797-2505



WIDTH 20.5 max.

RS Professionally Approved Products bring to you professional quality parts across all product categories. Our product range has been tested by engineers and provides a comparable quality to the leading brands without paying a premium price.

Product Description

- *Single-pole changeover, snap-acting switch.*
- *Beryllium copper trident spring operating mechanism.*
- *Fine silver contacts..*
- *M3 terminal screws located in 4.0 mm wide wiring channels and protected by a removable base plate.*

General Specifications

Contact Configuration	SPDT
Contact Arrangement	1No + 1NC, snap action.
Contacts	Fine silver.
Terminals	M3 brass screws, nickel plated.
Case	Phenolic thermo-setting plastic.
Actuator	Spring plunger protected by flexible cowl.

Electrical Specifications

Electrical Rating		
	Load	Rating
	AC(Resistive)	15A at 125V or 15 A at 250V.
	AC(Inductive)	5 A at 125V or 5 A at 250V.
	DC(Resistive)	0.5 A at 125V or 0.25 A at 250V.
	DC(Inductive)	0.03 A at 125V or 0.02 A at 250V.
Contact Resistance		10 milliohms(max.).
Insulation Resistance		1000 Megaohms(min.).
Voltage Proof		1 KV AC for one minute.
Electrical life		50,000 Operations.
Mechanical life		1 million Operations.

S

Mechanical Specifications

Actuating Force (AF)	720gmsmax.
Release Force(RF)	170gms.(min.).
Free Position(FP)	40.7 mm.(max).
Operating Position(OP)	39.3±0.33 mm.
PreTravel	1.4 mm.(max.).
Movement Differential(MD)	0.08 mm.(max.).
Overtravel	4.6 mm.
Mounting	Two side-mounting holes of ø3.66mm provided. Use m3.5 or #6 Unified thread screws.
Unit Weight	50gms. Approx.

Operation Environment Specifications

Operating Temperature Range	-10°C to +70°C.
------------------------------------	-----------------

Protection Category

IP Rating	IP54 (enclosure).
------------------	-------------------

Approvals

Compliance/Certifications	CE/CSA.
----------------------------------	---------

Similar Products

Parameters	Stock#	Stock#	Stock#	Stock#
Brand	RS PRO	RS PRO	RS PRO	RS PRO
Contact Configuration				
Switch Operation				
Illuminated				
Actuator Colour				
Actuator Shape				
Legend Text				
Legend Text Colour				
Lens Shape/Symbol				
Contact Material				
Case Material				
Actuator Style				
Contact Current Rating				
AC Voltage Rating				
DC Voltage Rating				
Terminal Type				
Termination Style				
Contact Resistance				
Minimum Insulation Resistance				
Dielectric Strength				
Panel Cut Out Size				
Panel Cut Out Width				
Panel Cut Out Height				
Panel Cut Out Diameter				
Mounting Type				
Operating Temperature Range				
IP Rating				
Compliance/Certifications				

CONSTRUCTIONAL DIAGRAM/CIRCUIT DIAGRAMS