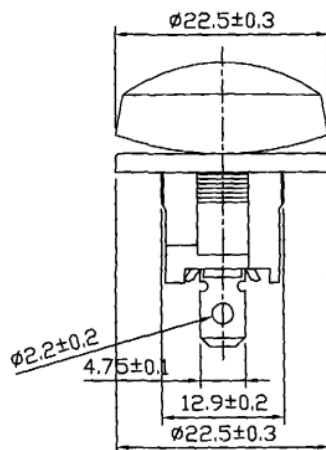
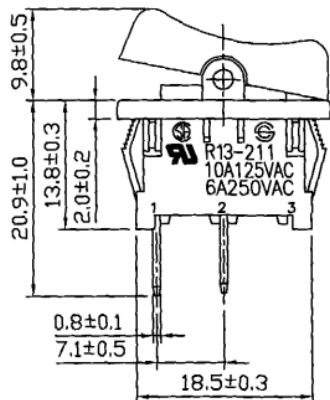
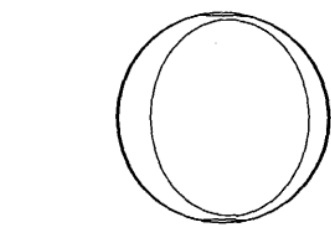


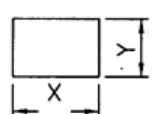
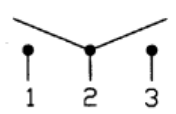
Datasheet

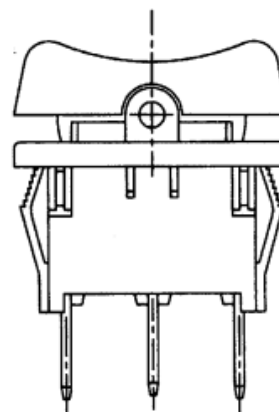
Black SPDT Rocker Switch, On-Off-On, 10 A@ 125 V ac 13mm 19.8mm

RS Stock number [419-772](#)

Dimensions: (mm)



Mounting Hole		Circuit Diagram	
			
Thickness	X	Y	
0.75...1.25	19.2-0.1	13+0.1	
1.25...2.0	19.4-0.1	13+0.1	
2.0...3.0	19.8-0.1	13+0.1	



Specifications

Rating: 10A 125V, 6A 250V AC

Contact Resistance: 50m ohm max

Insulation Resistance: DC 500V 100M ohm min.

Dielectric Strength: AC 1500V 1 min

Circuit: 3P SPST on-off

Operation Temperature: -20degC ~ 85degC