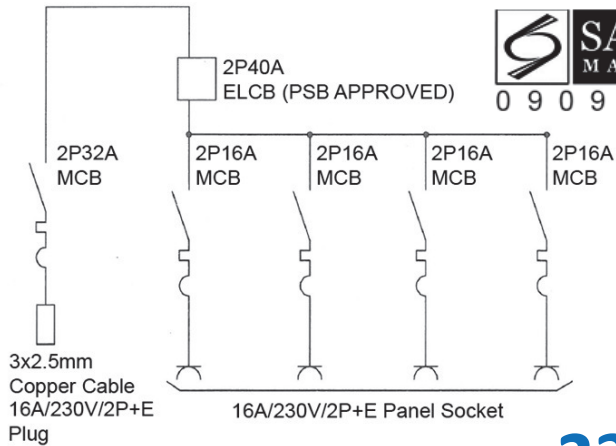


Industrial DISTRIBUTION BOX

4 WAY DISTRIBUTION BOX (WEATHERPROOF)



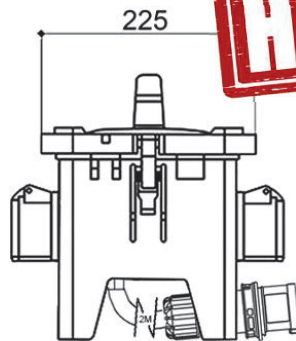
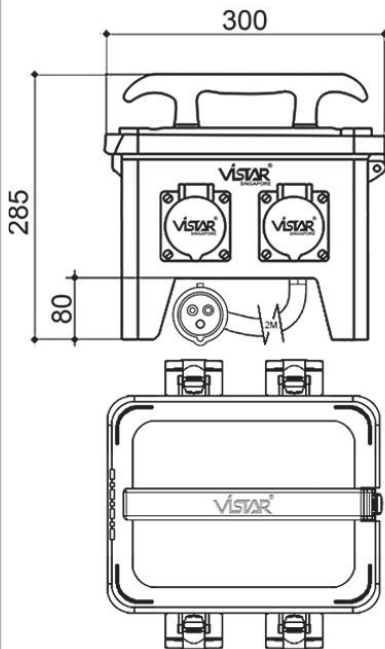
VISTAR[®]

230V



HEAVY DUTY

WEATHER-PROOF



110V

Use PSB Approved
ELCB (2P40A)

