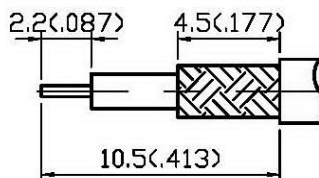
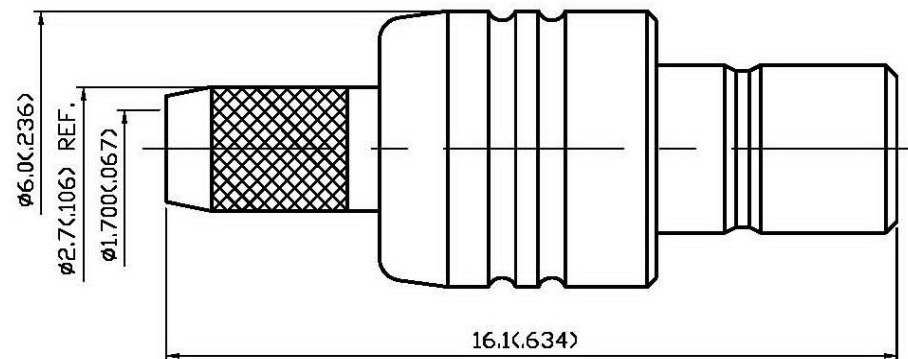
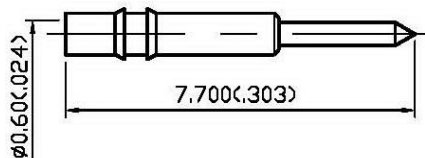
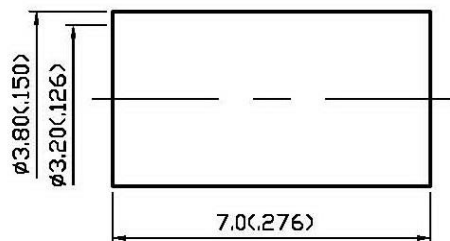


NO	DESCRIPTION	DATE
①	WORKING VOLTAGE → VOLTAGE RATING DEL PROOF VOLTAGE	07.22.13'
②	ADD VSWR	11.20.14'



STRIPPING DIMENSION
SCALE 4:1

1.0 ELECTRICAL

- 1.1 FREQUENCY RANGE: DC-4 GHz
- 1.2 NOMINAL IMPEDANCE: 50 OHMS
- 1.3 VOLTAGE RATING: 336 VOLTS MAX. ①
- 1.4 VSWR: 1.3 MAX. @1 GHz ②

2.0 MATERIALS

- 2.1 BODIES: BRASS PER JIS-C3604
- 2.2 CENTER CONTACT: BRASS PER JIS-C3604
- 2.3 INSULATION: TEFLON PER ASTM D1457 AND ASTM D1710
- 2.4 CRIMP FERRULE: BRASS PER JIS-C2700

3.0 FINISHES AND OTHERS

- 3.1 SEE BELOW TABLE FOR DETAILS.

4.0 MECHANICAL

- 4.1 INTERFACE IN ACCORDANCE WITH: MIL-STD-348A
- 4.2 FOR USE WITH RG174U OR SIMILAR STYLE CABLE
- 4.3 CABLE ATTACHMENT: OUTER: CRIMP, INNER: CRIMP
- 4.4 CRIMP SIZE REQUIRED: CONTACT: 0.64(.025) SQ. CRIMP TOOL
FERRULE: 3.3(.130) HEX. CRIMP TOOL

5.0 ENVIRONMENTAL

- 5.1 OPERATING TEMPERATURE RANGE: -40° C TO +60° C

NO	DESCRIPTION	MATERIAL	Q'TY	FINISH
6	INSULATION	TEFLON	1	NONE
5	BODY	BRASS	1	GOLD 3 μ"MIN.
4	INSULATION	PE	1	NONE
3	CHASSIS	BRASS	1	GOLD 3 μ"MIN.
2	CENTER CONTACT	BRASS	1	GOLD 30 μ"MIN.
1	CRIMP FERRULE	BRASS	1	GOLD



APPROVED

by _____ DATE: _____

DESCRIPTION		SMB STRAIGHT JACK CRIMP								
製圖	DRAWN	TOLERANCE	品名	24-06-1	T.G.G	174U	日期	DATE	版次	REV.
	Yoko									
檢圖	CHECK	.XX	±0.1	UNIT	DWG.NO.	24-0012	SCALE			
	Arc							mm(in)		
認定	APPROVAL	.XXX	±0.05	比例	8:1					
	Angela	ANGLE	±5°							