

RS PRO Photoelectric Sensor

RS Stock No.: 202-4448, 202-4449, 202-4450,
202-4451

FEATURES

- Universal housing, an ideal replacement for a wide range of sensor types;
- IP67, suitable for harsh environments;
- One-click distance setting, accurate and fast;
- Background suppression type, stable detection for both white and black targets;
- Visible light spot for easy installation and commissioning;
- NO and NC are switchable.
- Bracket Included: 33*30*14mm



RS Professionally Approved Products bring to you professional quality parts across all product categories. Our product range has been tested by engineers and provides a comparable quality to the leading brands without paying a premium price.

Part Number Description

Part number	Sensing distance	Light source	Output	Connection
202-4448	35cm (adjustable)	Red light (640nm)	NPN NO/NC	2m PVC cable
202-4450	35cm (adjustable)	Red light (640nm)	PNP NO/NC	2m PVC cable
202-4449	35cm (adjustable)	Red light (640nm)	NPN NO/NC	M8 connector
202-4451	35cm (adjustable)	Red light (640nm)	PNP NO/NC	M8 connector

General Specifications

Detection Type	Background suppression
Rated distance	35cm
Distance adjustment	5-turn knob adjustable
Response Time	≤0.5ms
Spot size	10mm@35cm
Indicator	Green light: power, stable signal (Flashing means unstable signal) Yellow light: output, overload or short circuit (flash)
Operating Temperature	-25°C...55 °C
Storage temperature	-25°C...70 °C
Anti-ambient light	Anti-sunlight interference ≥ 10,000lux; Incandescent light interference ≥ 3,000lux

Electrical Specifications

Operating Supply Voltage	10...30 VDC
Current Consumption	≤25mA
Voltage Drop	≤1V
Load Current	≤200mA
Hysteresis	<5%
Reverse Polarity Protection	YES
Overload Protection	YES
Short Circuit Protection	YES

Mechanical Specifications

Body Style	Block
Mounting Type	Screw
Housing Material	PC+ABS
Lens/Face Material	PMMA
Dimensions	32.5*20*10.6mm
Weight	50g (connector type) / 90g (cable type)

Protection Category

IP Rating	IP67
-----------	------

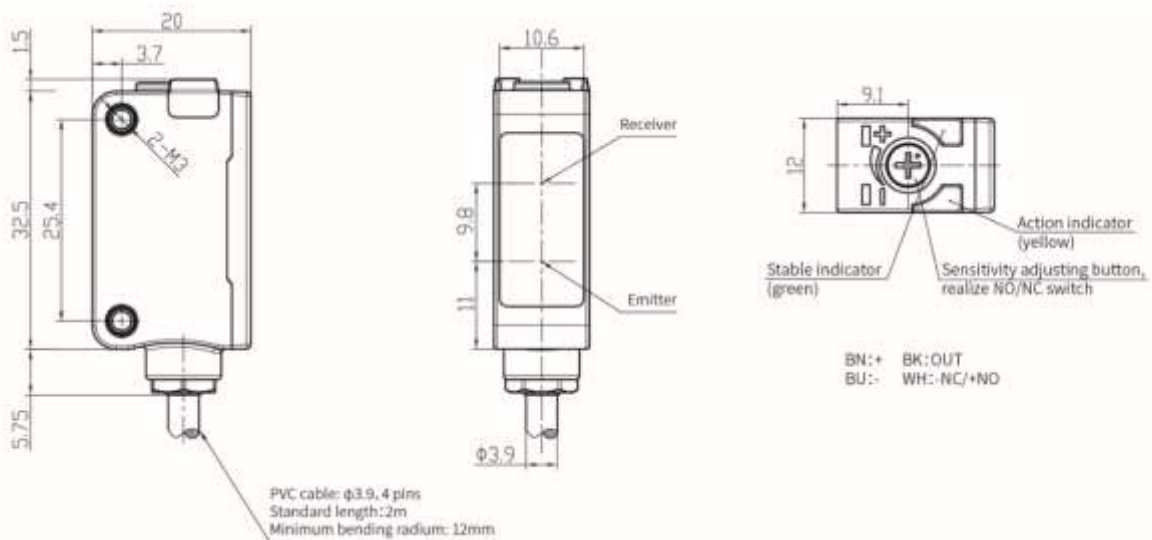
Additional Information

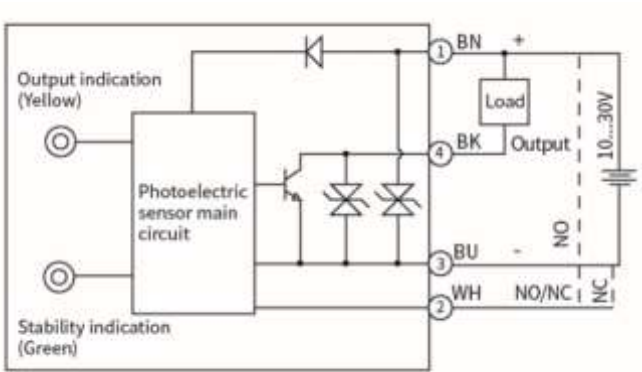
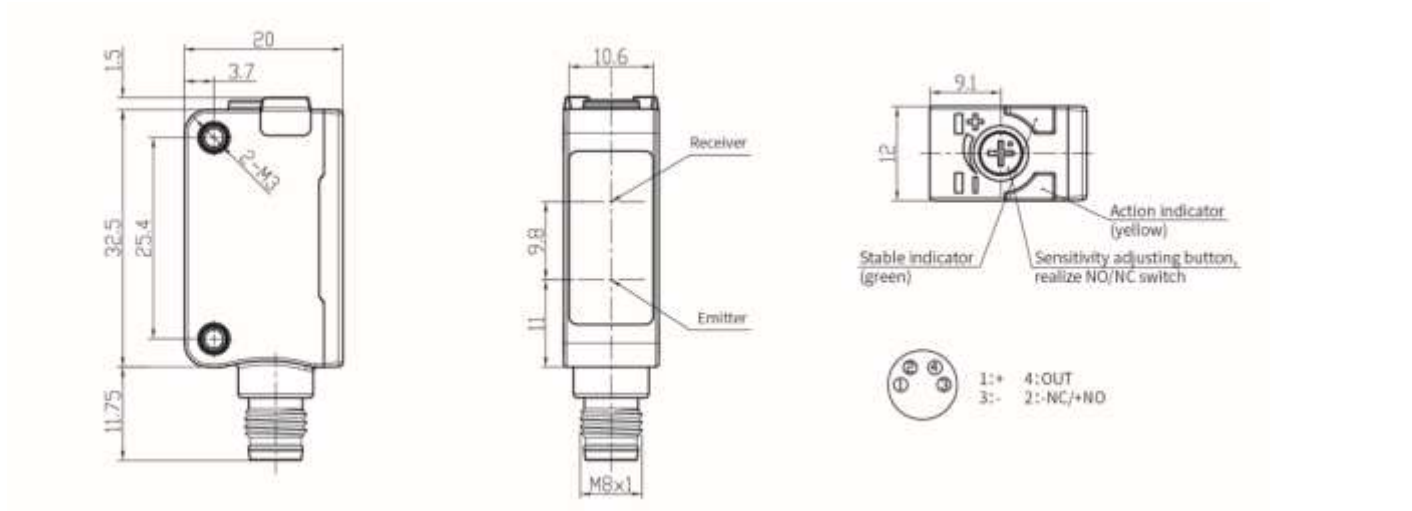
Custom Tariff Number/HS code	903180
NO/NC adjustment	NO: When the white wire is connected to the positive or suspended; NC: When the white wire is connected to the negative.

Approvals

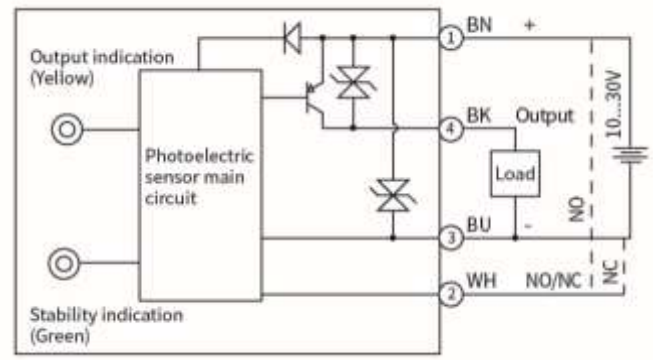
Compliance/Certifications	CE
---------------------------	----

Dimension and Wiring





NPN



PNP