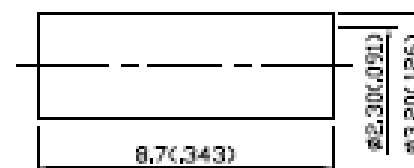
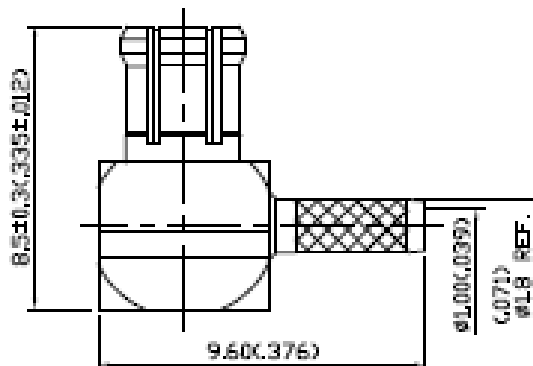
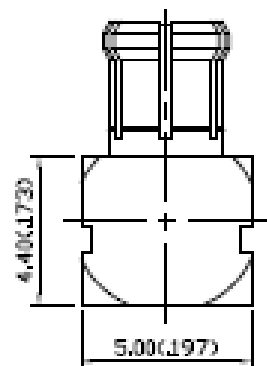


NO	DESCRIPTION	DATE
⚠	MODIFICATION PART ③	09.04.03'
⚠	PP — PE	08.30.06'
⚠	ADD 0.3 MAX, 1 4.15 MIN, ADD 0.35 MIN, BACKGROUND FORMAT UPDATED	10.08.07'
⚠	MIL-STD-348A—CECC 22220 -55°C TO +155°C— -40°C TO +60°C	12.24.08'



1.0 ELECTRICAL

- 1.1 FREQUENCY RANGE: DC-3 GHz
- 1.2 NOMINAL IMPEDANCE: 50 OHM
- 1.3 VSWR: 1.3 MAX

2.0 MATERIALS

- 2.1 BODIES: BRASS PWB DS-C3604
BERYLLIUM COPPER PWB ASTM B188 UBS C17300
- 2.2 CENTER CONTACT: BRASS PWB DS-C3604
- 2.3 INSULATION: TEFLON PWB ASTM D1497 AND ASTM D6710
- 2.4 CRIMP FERRULE: BRASS PWB DS-C2700

3.0 FINISHES AND OTHERS

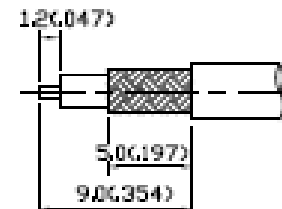
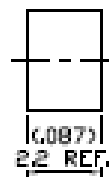
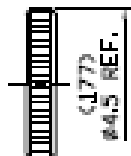
- 3.1 SEE BELOW TABLE FOR DETAILS.

4.0 MECHANICAL

- 4.1 INTERFACE IN ACCORDANCE WITH CECC 22220 ⚠
- 4.2 FOR USE WITH HELIX® OR SIMILAR STYLE CABLE
- 4.3 CABLE ATTACHMENT: COVER: CRIMP, BORE: SOLDER
- 4.4 CRIMP SIZE REQUIRED: CONTACT: SOLID
FERRULE: 2-0(.110) HSC CRIMP TOOL

5.0 ENVIRONMENTAL

- 5.1 OPERATING TEMPERATURE RANGE: -40° C TO +80° C ⚠



STRIPPING DIMENSION

APPROVED

by

DATE

NO	DESCRIPTION	MATERIAL	Q'TY	FINISH
7	CRIMP FERRULE	BRASS	1	GOLD
8	INSULATION	PE	1	NONE
5	WASHER	BRASS	1	GOLD 3μ" MIN.
4	BODY II	BRASS	1	GOLD 3μ" MIN.
3	BODY I	BERYLLIUM COPPER	1	GOLD 3μ" MIN.
2	INSULATION	TEFLON	1	NONE
1	CENTER CONTACT	BRASS	1	GOLD 30μ" MIN.



DESCRIPTION		MCX RIGHT ANGLE PLUG CRIMP		DRAWN		TOLERANCE		品名		27-03-5 T.G.G 178U		DATE		REV.	
制	Yoko	.X	±0.2	原	UNIT	DWG.NO. 27-0054		ROHS COMPLIANT		(500)		07.16.03'		A-4	
檢	Monica	.XX	±0.1	比	mm(In)										
監	APPROVAL	.XXX	±0.05	例	SCALE										
定	Monica	ANGLE	±5°	例	6:1										