

## FEATURES

- Material: UL approved Nylon 66, 94V-2
- Color: Natural
- CABLE CLAMPS are designed to hold cables, tubes, and components in domestic appliance, electronics and electric apparatus generally.
- interior edges are radiused to protect cable insulation.
- To apply, just clamp down on loosen cables and screw it to chassis.

## RS PRO P Clip

RS Stock No.: 2209398, 2209397



RS Professionally Approved Products bring to you professional quality parts across all product categories. Our product range has been tested by engineers and provides a comparable quality to the leading brands without paying a premium price.

## P Clip

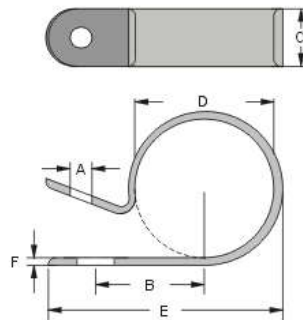
### Product Description ATTRIBUTE 1

- Material: UL approved Nylon 66, 94V-2
- Color: Natural
- CABLE CLAMPS are designed to hold cables, tubes, and components in domestic appliance, electronics and electric apparatus generally.
- interior edges are radiused to protect cable insulation.
- To apply, just clamp down on loosen cables and screw it to chassis.

### General Specifications

Series	P Clip
Type	
Colour	Natural
Material	Nylon66, 94V-2
UV Resistant	NO
Minimum Operating Temperature	-40°C
Maximum Operating Temperature	85°C
Fire Behaviour	NO

### Mechanical Specifications



Unit:mm

RS Article(will be replayed RS new article no.)	A	B	C	D	Bundle Dia.	E	F	Packing
1877615	5	11.2	10	8.4	7.9 (5/16")	22.6	1.15	100PC
	5	15.8	14.4	17.4	15.8 (5/8")	32.6	1.4	

**Approvals**

<b>Declarations</b>	
<b>Standards Met</b>	RoHS

**Similar Products**

Stock No.	Brand	Product Name	Colour	Material
817-8968	RS	P CLIP	NATURAL	NYLON66
817-8959	RS	P CLIP	NATURAL	NYLON66

