



EN

Datasheet

RS PRO OPEN BARREL FEMALE DISCONNECTORS

Stock number: **2055269**

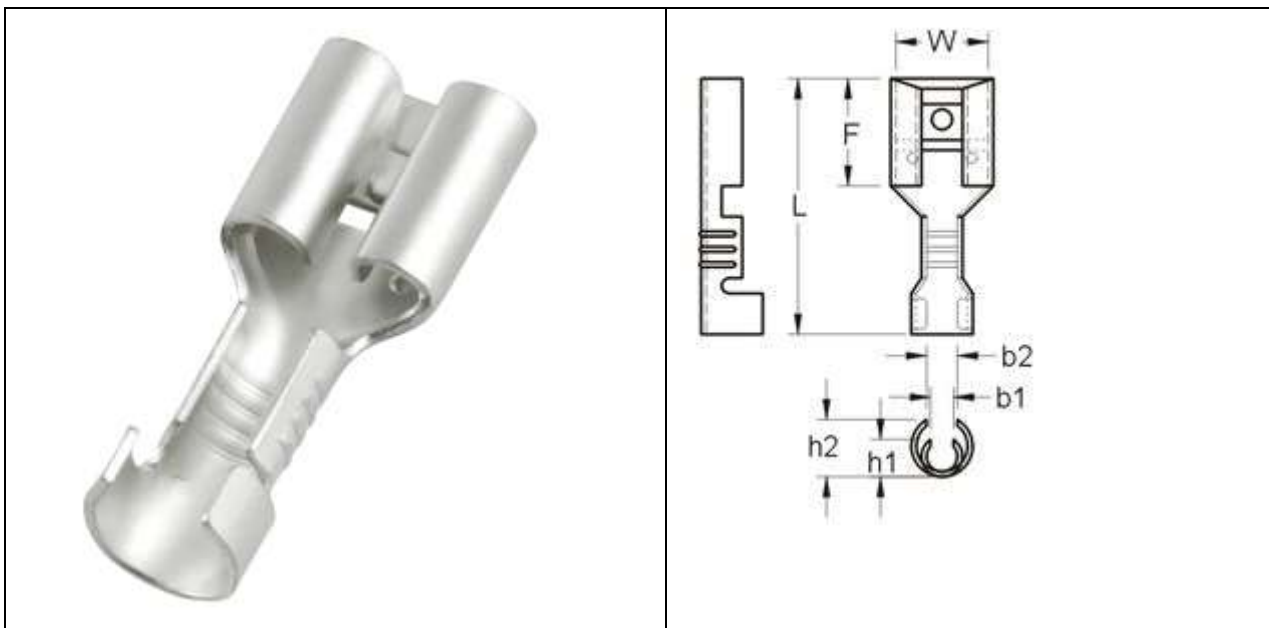
TERMINAL MATERIAL: BRASS

TERMINAL SURFACE TREATMENT: TIN PLATED

MATCHING: 0.032X0.250 INCH (0.8X6.35MM)

WIRE RANGE: 12-10 A.W.G. (2.5-6.0mm²)

THICKNESS: 0.4MM



WIRE RANGE A.W.G. mm ²	NEMA TAB	DIMENSION (mm)							
		W	F	L	b1	b2	h1	h2	T
12-10 A.W.G. 2.5-6 mm ²	.032×.250 (0.8×6.35)	6.6	7.5	19.2	3	4	4.2	5.5	0.4

