

5.8mm Crimp Housing Wire to Wire / Wire to Board

multicomp PRO

**RoHS
Compliant**



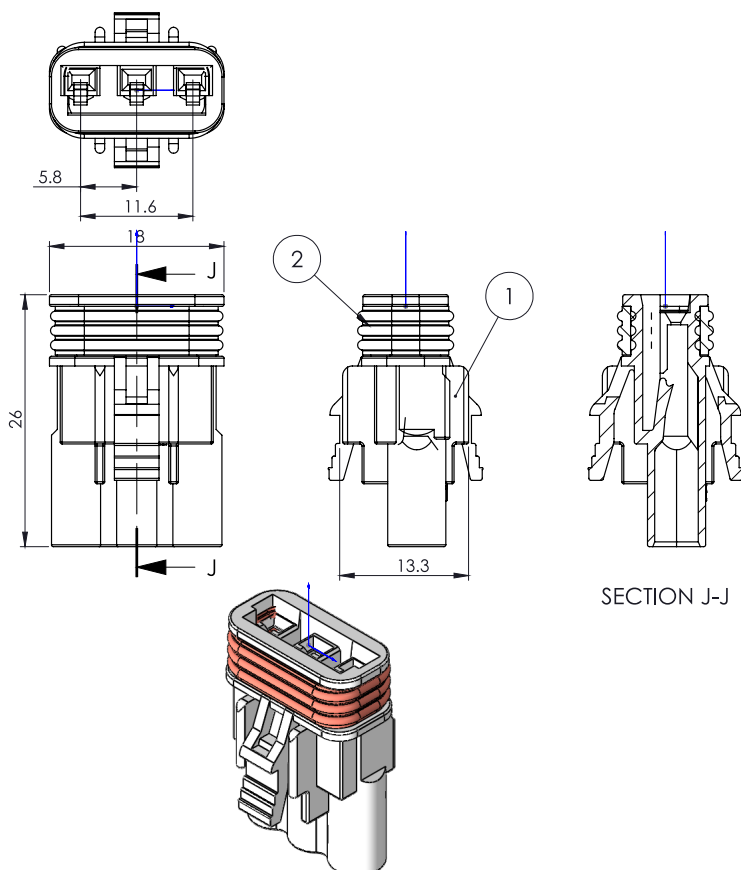
Specifications

Pitch	: 5.8mm
Rated Voltage	: 300V
Rated Current	: 10A Max.
Withstand Voltage	: 1700V AC R.M.S
Contact Resistance	: 10mΩ Max.
Insulation Resistance	: 1000MΩ Min./ 500V DC
Temperature Range	: -40°C to +105°C
Waterproof Grade	: IP67

Materials

Housing	: PBT, UL 94V-0, White Colour
Wire-Housing Seal	: Silicon Rubber

Diagram



Dimensions : Millimetres

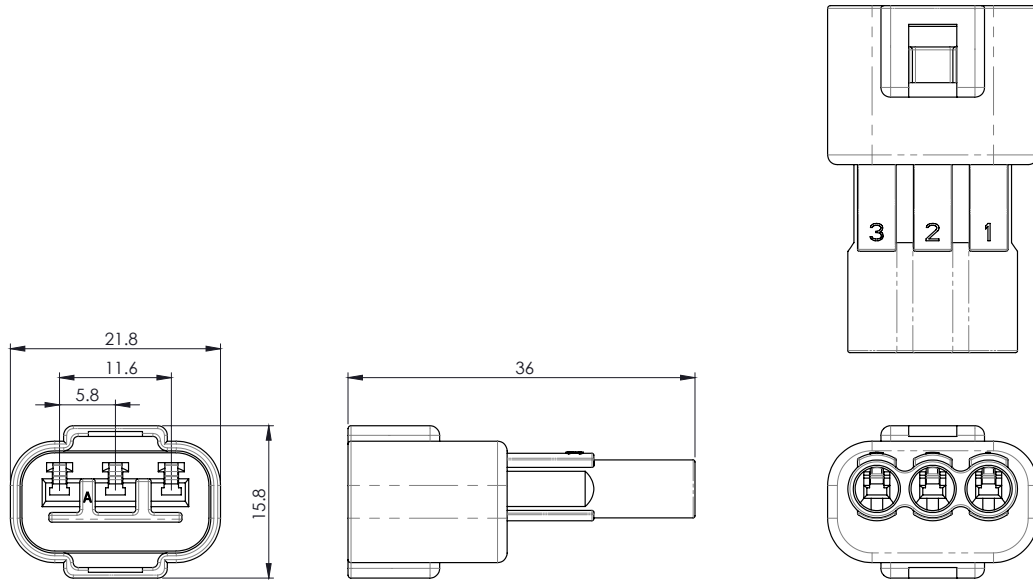
Newark.com/multicomp-pro
Farnell.com/multicomp-pro
sg.element14.com/b/multicomp-pro

multicomp PRO

5.8mm Crimp Housing

Wire to Wire / Wire to Board

multicomp PRO



Part Number Table

Description	Positions	Part Number
Crimp Housing, Male, Waterproof, White, IP67	1	MP013593
Crimp Housing, Female, Waterproof, White, IP67		MP013594
Crimp Housing, Male, Waterproof, White, IP67	2	MP013596
Crimp Housing, Female, Waterproof, White, IP67		MP013597
Crimp Housing, Male, Waterproof, White, IP67	3	MP013599
Crimp Housing, Female, Waterproof, White, IP67		MP013600

Dimensions : Millimetres

Important Notice : This data sheet and its contents (the "Information") belong to the members of the AVNET group of companies (the "Group") or are licensed to it. No licence is granted for the use of it other than for information purposes in connection with the products to which it relates. No licence of any intellectual property rights is granted. The Information is subject to change without notice and replaces all data sheets previously supplied. The Information supplied is believed to be accurate but the Group assumes no responsibility for its accuracy or completeness, any error in or omission from it or for any use made of it. Users of this data sheet should check for themselves the Information and the suitability of the products for their purpose and not make any assumptions based on information included or omitted. Liability for loss or damage resulting from any reliance on the Information or use of it (including liability resulting from negligence or where the Group was aware of the possibility of such loss or damage arising) is excluded. This will not operate to limit or restrict the Group's liability for death or personal injury resulting from its negligence. Multicomp Pro is the registered trademark of Premier Farnell Limited 2019.

Newark.com/multicomp-pro
 Farnell.com/multicomp-pro
 sg.element14.com/b/multicomp-pro

multicomp PRO