

Datasheet

RS PRO M12 Male Straight – RJ45 Adapter

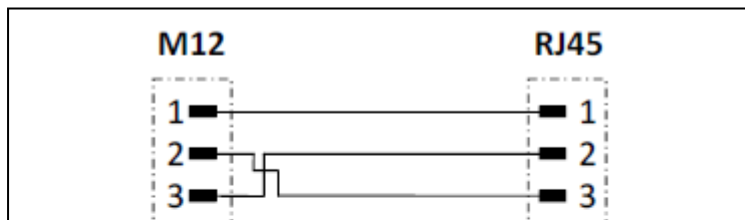
Part No: 2017086

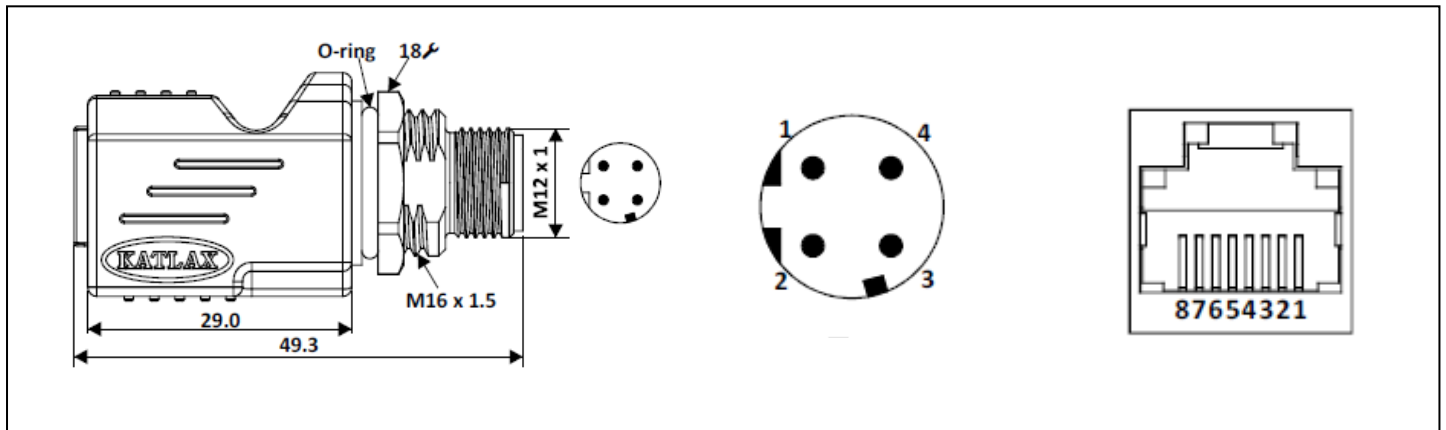


Technical Specifications:

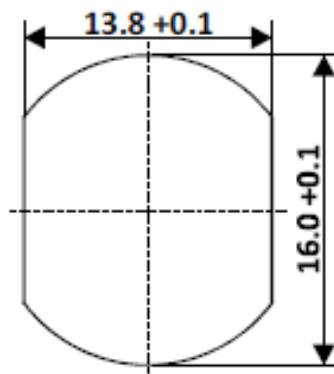
Rated Operational Voltage	120 V AC	
Current Rating	1.5 A	
Insulation Resistance	≤100 MΩ	
Temperature Range	0° ... +70°C	
Coding	D-Coded	
Degree of Protection	M12 = IP67 / RJ45 = IP20	
	M12	RJ45
Grip Material	PU	PBT
Contact	Cu-Zn	Copper Alloy
Contact Plating	Gold Flash	Gold Flash
Contact Carrier	Nylon 66	
O-ring	Neoprene	
Coupling Nut	Brass Nickel-Plated	

Wiring Diagram:





Recommended Panel Cut-out:



Quality Standard: IEC 61076-2-101

 <p>TÜVRheinland CERTIFIED</p>	<p>Type Approved Safety Regular Production Surveillance</p>	
	<p>www.tuv.com ID 1111210483</p>	

