

## FEATURES

- Ideal for control panels, switchboards, distribution systems that require visual indication and status of a 3-phase power supply
- Used to indicate that all phases are present and phase sequence is correct (or incorrect)
- Designed for use on 3-phase, 3-wire supplies
- Individual Green LED's to indicate the presence (or absence) of each phase
- Bi-colour Red/Green LED indication for phase sequence status
- Compact, 17.5mm DIN Rail housing

# RS PRO 3-Phase Sequence/Failure Indicator

RS Stock No.: 2257384



RS Professionally Approved Products bring to you professional quality parts across all product categories. Our product range has been tested by engineers and provides a comparable quality to the leading brands without paying a premium price.

## 3-Phase Voltage Monitoring Relays

### Product Description

A 3-Phase indicator for monitoring a 3-wire supply and providing a visual indication as to the status of the phase sequence/rotation and presence of all phases. One bi-colour LED is used to indicate phase rotation illuminating in green to confirm the sequence is correct and changing to red if the rotation is incorrect. Three individual green LED's are used to indicate the status of each phase i.e. L1, L2 and L3.

### General Specifications

<b>Monitoring mode:</b>	Phase Sequence/Failure
<b>Phase sequence detection:</b>	Yes
<b>Phase present indication:</b>	Green LED (x3)
<b>Phase sequence status indication:</b>	Bi-colour LED (x1) Green = Sequence correct Red = Sequence incorrect

### Mechanical Specifications

<b>Housing:</b>	Grey flame retardant UL94
<b>Dimensions:</b>	To DIN 43880. Width 17.5mm
<b>Weight:</b>	48g
<b>Mounting option:</b>	On to 35mm symmetric DIN rail to BS EN 60715 or direct surface mounting via 2 x M3.5 or 4BA screws using the black clips provided on the rear of the unit.
<b>Terminal size:</b>	Up to 2,5mm <sup>2</sup> wires

### Electrical Specifications

<b>Input:</b>	L1, L2, L3
<b>Supply/monitoring voltage U:</b>	320 – 490V AC
<b>Frequency range:</b>	48 – 63Hz
<b>Overvoltage category:</b>	III (IEC 60664)
<b>Rated impulse withstand voltage:</b>	4kV (1.2/50µS)
<b>Power consumption (max.):</b>	< 4VA

# 3-Phase Voltage Monitoring Relays

## Protection Category

<b>IP Rating</b>	IP20 (Terminal Protection)
------------------	----------------------------

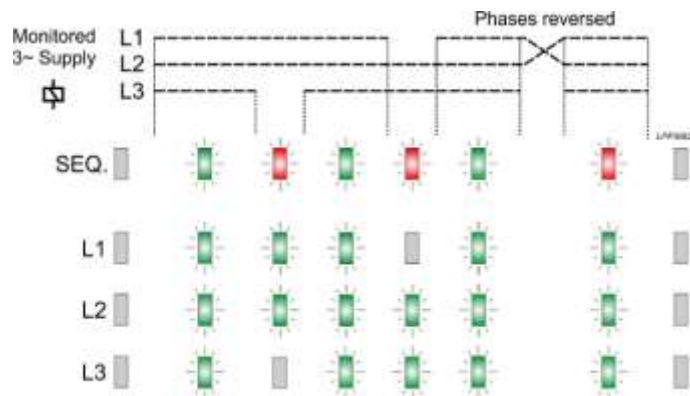
## Additional Information

<b>Custom Tariff Number</b>	85394900
-----------------------------	----------

## Approvals

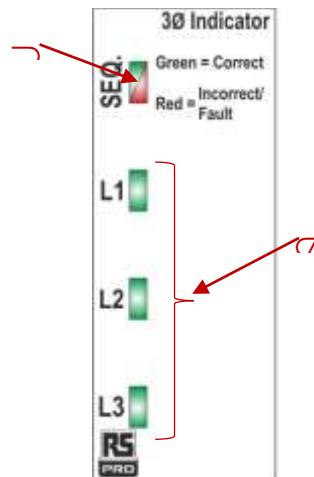
<b>Declarations</b>	CE, RoHS and C-tick compliant
<b>Standards Met</b>	EMC: Immunity EN 61000-6-2, Emissions: EN 61000-6-4

## Function Diagram



## Front Panel LED's

1. Phase Sequence status (Bi-colour Red/Green) LED
2. Phase presence status (Green) LED's

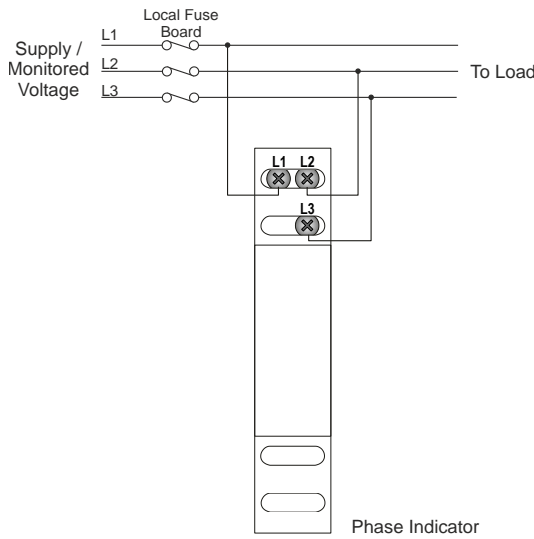


# 3-Phase Voltage Monitoring Relays

## LED Indication/Status

Supply fault:	SEQ. LED	L1 LED	L2 LED	L3 LED
L1 Phase missing	Red	Off	On	On
L2 Phase missing	Red	On	Off	On
L3 Phase missing	Red	On </td <td>On</td> <td>Off</td>	On	Off
Phases reversed	Red	On	On	On
Any 2 or more phases missing	Off	Off	Off	Off

## Connection Diagram



## Dimensions

