

KTB MH 352620 S4E3

Weidmüller Interface GmbH & Co. KG

Klingenbergstraße 26

D-32758 Detmold

Germany

www.weidmueller.com

Similar to illustration



Abbildung ähnlich

The Klippon® TB enclosure range provides excellent performance characteristics, even under the most difficult environmental conditions. In addition, it complies with the stricter requirements of potentially explosive atmospheres found specifically in the process or power generation industries. The Klippon® TB MH enclosure range offers further improvements to a product line that is already successfully leading the market.

The Klippon® TB MH enclosure range has the following advantages:

- Available in 15 sizes and 3 standard depths
- Equipped with up to 4 gland plates
- The gasket is protected against compression
- Completely removable padlock tab
- Cover lock outside the sealed zone
- Improved temperature performance
- IP66/IP67 protection
- Completely removable lid – without a tool
- Earthing stud in the cover and base of the enclosure
- Welded mounting feet
- International approvals

General ordering data

Version	Klippon TB MH (Terminal Box - Multi Hinge), Empty enclosure, stainless steel enclosure, Height: 350 mm, Width: 260 mm, Depth: 200 mm, Gland plates: Bottom, left, right, Material: Stainless steel 1.4404 (316L), electropolished, silver
Order No.	1194880000
Type	KTB MH 352620 S4E3
GTIN (EAN)	4032248977505
Qty.	1 pc(s).

KTB MH 352620 S4E3
Weidmüller Interface GmbH & Co. KG

Klingenbergstraße 26

D-32758 Detmold

Germany

www.weidmueller.com
Technical data
Dimensions and weights

Depth	200 mm	Depth (inches)	7.874 inch
Height	350 mm	Height (inches)	13.78 inch
Width	260 mm	Width (inches)	10.236 inch
Mounting dimension - height	250 mm	Mounting dimension - width	316 mm
Net weight	8,380 g		

Temperatures

Operating temperature	Note: room temperature (service)	Limited to IP66 protection when used in temperatures greater than 105 °C.
-60 °C...135 °C		

Environmental Product Compliance

REACH SVHC	Lead 7439-92-1	SCIP	8d5fcdfe-c58e-44e1-a6b4-74d2bbccc9dd
------------	----------------	------	--------------------------------------

Cable glands, left

M12	38	M16	26
M20	17	M25	14
M32	7	M40	6
M50	3	M63	2
M75	2		

Cable glands, right

M12	38	M16	26
M20	17	M25	14
M32	7	M40	6
M50	3	M63	2
M75	2		

Cable glands, top/bottom

M12	33	M16	22
M20	14	M25	12
M32	6	M40	5
M50	2	M63	2
M75	1		

KTB MH 352620 S4E3
Weidmüller Interface GmbH & Co. KG

 Klingenbergstraße 26
 D-32758 Detmold
 Germany

www.weidmueller.com
Technical data
Certificate numbers enclosure

Approval conditions		Attestation of Conformity No. (AoC)	
	ATEX, CCoE, DNV, EAC, IECEx, INMETRO, KC, NEPSI, CCC, RMRS, UL AEx Class Div., UL AEx Class Zone, cULus		DE PS261X 160309 001ISS03
Certificate No. (ATEX)	PTB11ATEX2019	Certificate No. (CCOE)	P461058_1
Certificate No. (DNVGL)	TAE000013S	Certificate No. (EAC)	C-DE.HB07.B.00089-20
Certificate No. (IECEX)	IECEXPTB11.0071	Certificate No. (MARITREG)	21.50075.272
Certificate No. Electronic Box (NEPSI)	2020322303003289	Certificate No. UL 508A	E223801
Certificate No. UL Haz.Loc.	E223792	Certificate No. UL Ord.Loc.	E243298
Certificate No. UL Terminal Box	E223792	Certificate no. (INMETRO)	IEX13.0006U
Certificate no. (cULus)	E243298	Certificate no. Terminal Box (AEx)	E223792
Certificate no. Terminal Box (ATEX)		Certificate no. Terminal Box (EAC)	C-DE.HB07.B.00089/20 Ex Terminal Box; C- DE.A154.B.00251/19 Ind. Terminal Box
	IBExU14ATEX1050	Certificate no. Terminal Box (INMETRO)	LMP 21.0017
Certificate no. Terminal Box (IECEX)	IECEXIBE14.0013	Certificate no. empty enclosure (ATEX)	IBExU14ATEX1028 U
Certificate no. Terminal Box (KOSHA)	16-AV4BO-0245X	Certificate no. empty enclosure (IECEX)	IECEX IBE 14.0004U
Certificate no. empty enclosure (ECAS)	21-09-25241/ E21-09-053807	Certificate no., empty enclosure (EAC)	C-DE.HB07.B.00089/20
Certificate no. empty enclosure (INMETRO)	IEx 17.0020U		
Declaration of Conformity No. (DoC LVD)	DE PS261X 160412 001ISS02		

KTB MH 352620 S4E3
Weidmüller Interface GmbH & Co. KG

Klingenbergstraße 26

D-32758 Detmold

Germany

www.weidmueller.com
Technical data
General information

AF size	10 mm	Access opening: height	297 mm
Access opening: width		Areas of use	Explosive risk zone, Process industry, Oil and gas industry, Chemical industry, Offshore, Onshore
Dimension of box	201 mm	Enclosure attachment	4 welded-on mounting feet with 11 mm holes (2 slotted feet and 2 cross-shaped feet)
Flange plate	450x5 10x290	Flange plate mounting	M6 hexagonal head screws 10 SW
Gland plates	Yes	Impact resistance	7 J ATEX version, 10 J version standard
Integral fixing	Bottom, left, right	Lid attachment	4 hinges and M6 hex-head slotted screws SW10
Material	4, 6 or 9 stud bolts M6 inner (female) thread	Material thickness of cover	1.5 mm
Material thickness of enclosure	Stainless steel 1.4404 (316L)	Material thickness of flange	3 mm
Max. payload	1.5 mm	Note: protection class	If used in temperature ranges above 105 °C, IP protection is limited to IP 66.
	36 kg	Opening angle lid	130 °
Number of lid screws	4	Operating temperature, min.	-60 °C
Operating temperature, max.	135 °C	Position PE bolts	Enclosure side C
Overall dimensions	361 x 341 x 215	Protection degree	IP66, IP67
Protection class (UL)	Type 3, Type 4x, Type 12	Standards	DIN EN 62208 - Empty enclosure standard, DIN EN 61373 Class 1B**, DIN EN 15085-2, EN 60079-0, EN 60079-7, EN 60079-31, IEC 60079-0, IEC 60079-7, IEC 60079-31
Seal material	Silicone	Torque for lid screws	2.5 Nm
Surface finish	electropolished		

Housing earth

Earth, enclosure, internal	Welded-on M6 stainless-steel earth stud in enclosure body and lid.
----------------------------	--

horizontal assembly

WDU 10 / ZDU 10	2x15	WDU 16 / ZDU 16	1x12
WDU 2,5 / ZDU 2,5 / IDU 2,5	2x31	WDU 35 / ZDU 35	1x9
WDU 4 / ZDU 4	2x26	WDU 6 / ZDU 6	2x19

vertical assembly

WDU 10 / ZDU 10	1x25	WDU 16 / ZDU 16	1x20
WDU 2,5 / ZDU 2,5 / IDU 2,5	2x49	WDU 35 / ZDU 35	1x15
WDU 4 / ZDU 4	1x41	WDU 6 / ZDU 6	1x31

KTB MH 352620 S4E3

Weidmüller Interface GmbH & Co. KG
 Klingenbergstraße 26
 D-32758 Detmold
 Germany

www.weidmueller.com

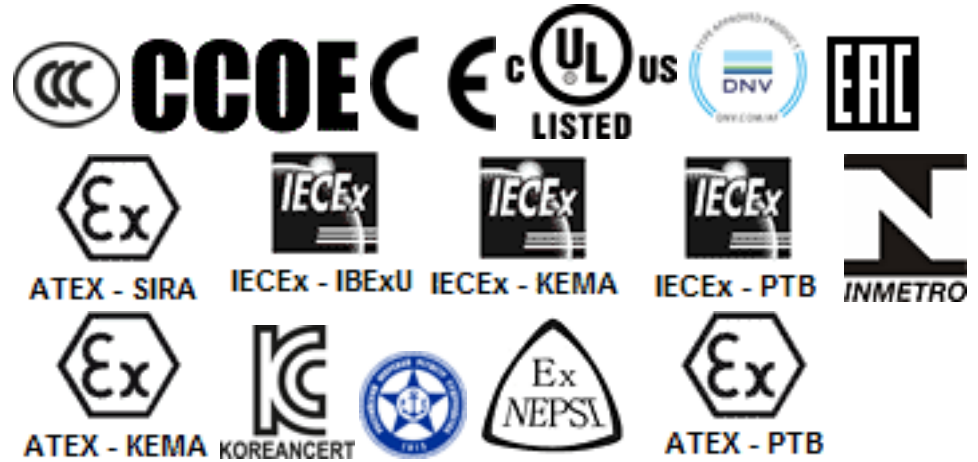
Technical data

Classifications

ETIM 6.0	EC002503	ETIM 7.0	EC002503
ETIM 8.0	EC002503	ECLASS 9.0	27-18-05-02
ECLASS 9.1	27-18-05-02	ECLASS 10.0	27-18-05-02
ECLASS 11.0	27-18-05-02	ECLASS 12.0	27-18-05-02

Approvals

Approvals



ROHS	Conform
UL File Number Search	UL Website
Certificate no. (cULus)	E243298

KTB MH 352620 S4E3

Weidmüller Interface GmbH & Co. KG

Klingenbergstraße 26

D-32758 Detmold

Germany

www.weidmueller.com

Technical data

Downloads

Approval/Certificate/Document of Conformity	C-DE.HB07.B.00089-Empty Enclosures and Ex. Terminal Box C-DE.AJ54.B.00251.19 Ind. Terminal Box CCC 2020322303002358 KTB Assembly Enclosure CCC 2020322303002357 KTB Empty Enclosure Attestation of Conformity - Klippon TB Empty Enclosures - AoC DE PS261X 160309 001ISS05 IEX17.0020U IBEXU14ATEX1028U IBEXU14ATEX1050 IECEXIBE14.0004U IECEXIBE14.0013 TAE000013S 15.40073.250 RUC-DE.MIO62.B.04799 GYJ14.1310X IECEXPTB11.0071 PTB11ATEX2019 16-AV4BO-245X P4610581_1 21-09-25241/E21-09-053807 LMP 21.0017 - CAIXA DE JUNÇÃO KLIPPON TB - KTB MH QL FS EU Declaration of Conformity - Klippon TB Empty Enclosures - DoC DE PS261X 160412 001ISS03
Engineering Data	CAD data – STEP
Engineering Data	EPLAN, WSCAD
Tender specification	Klippon TB MH 352620 S4E3_1194880000_DE Klippon TB MH 352620 S4E3_1194880000_EN Klippon TB MH 352620 S4E3_1194880000_NL
User Documentation	Assembly guidelines - empty enclosures
Catalogues	Catalogues in PDF-format
Brochures	MB OVERV. PROCESS WD DE MB KLIPPON ENCL.TECN EN MB PROCESS EN FL WIND 2012 EN FL APPL PROCESS EN FL SHIPBUILDING 2016 EN FL RAILWAY 2014 EN PI KLIPPON TB MH QL EN PI KLIPPON TB MH QL EN

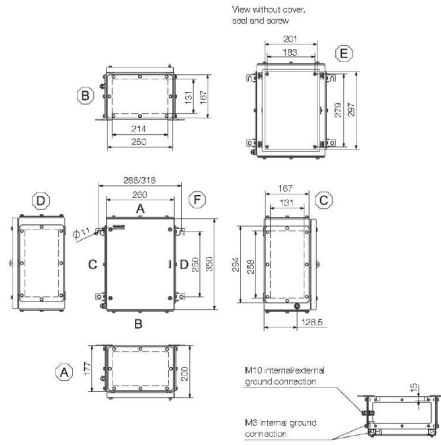
KTB MH 352620 S4E3

Weidmüller Interface GmbH & Co. KG
 Klingenbergstraße 26
 D-32758 Detmold
 Germany

www.weidmueller.com

Drawings

Dimensioned drawing



Mouser Electronics

Authorized Distributor

Click to View Pricing, Inventory, Delivery & Lifecycle Information:

[Weidmuller:](#)

[1194880000](#)