



# Datasheet

## RS PRO Two Compartment Enclosures

Stock number: 2006683

EN

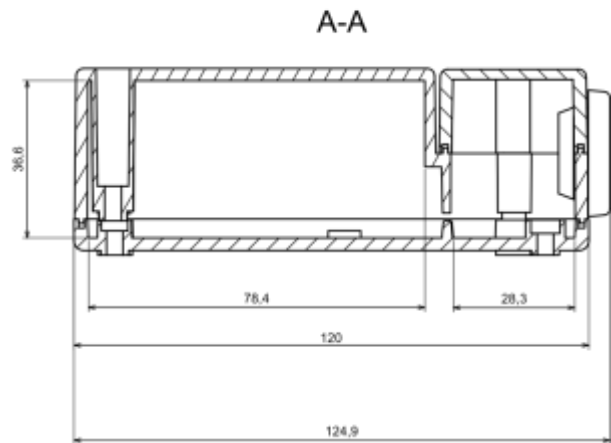
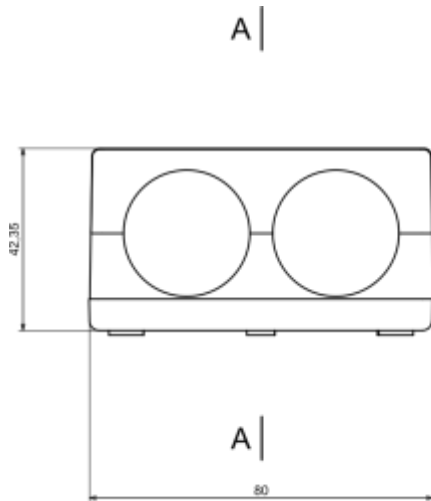


### Product Details

Two compartment enclosure with rubber plugs, made of light gray ABS. Small compartment for electrical connections has its own cover for easy access. The enclosure provides IP40 and IK07 protection rating it is ideal for applications that doesn't require hermetic seal.

### Features and Benefits

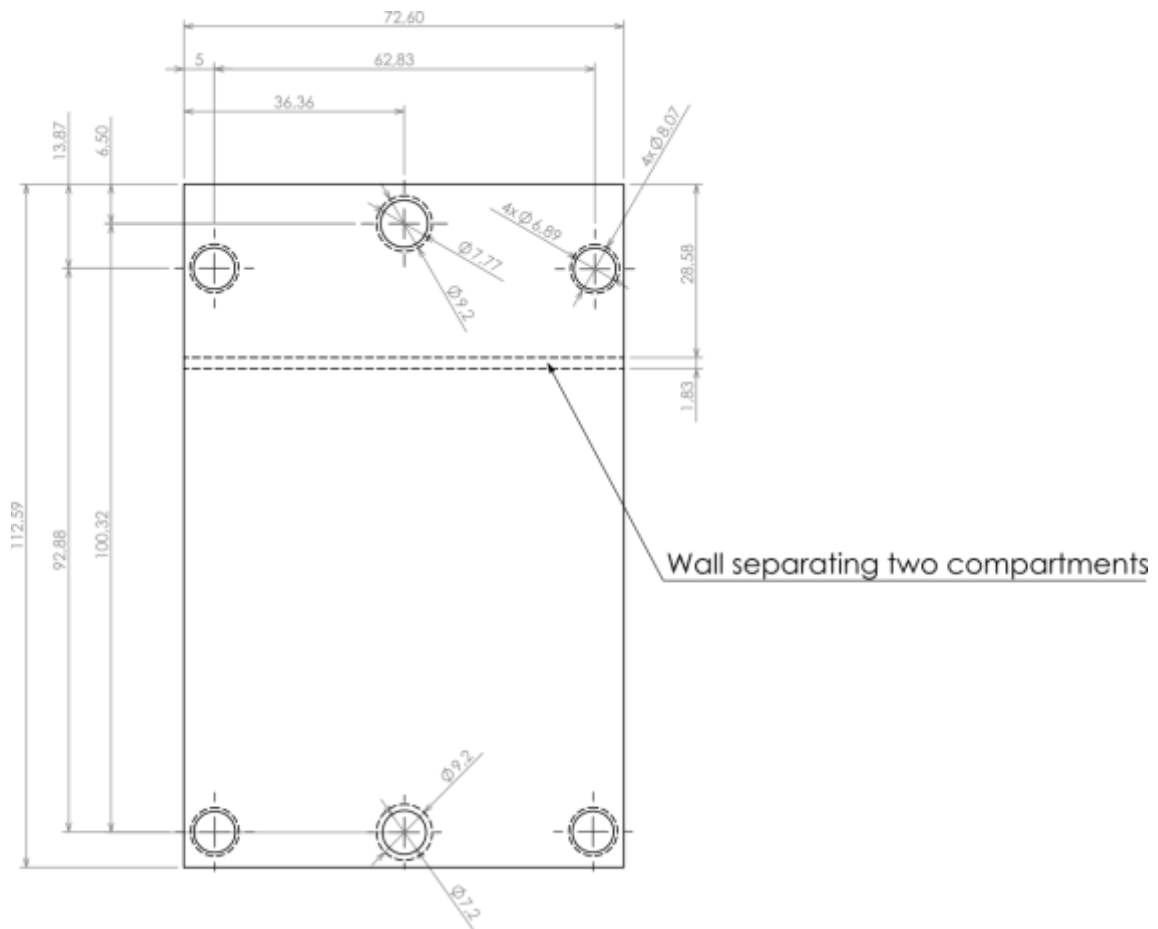
- Made of ABS
- Available in light gray color
- Protection against liquids and solid objects: IP40 rating
- Shock protection level: IK07 rating
- Two compartments
- Supplied with screw and rubber caps



Category	Enclosures special other
Type	Full
Material	ABS
Option	Without gasket
Height	43.0 mm
Width	80.0 mm
Length	120.0 mm
Colour	Lightgray (J)
Protection level	IP40
Property class	IK07
Standards Met	RoHS Compliant
Accessories	Screw 3/16: 4.0 pcs Screw 3/30: 2.0 pcs Rubber cap: 2.0 pcs
Certificate number	CE/031/18



## Max PCB size



Dashed line shows outline of the mounting boss under PCB board  
Recommended mounting holes diameter  $\phi 3,5\text{mm}$   
All dimensions are given within  $\pm 0,5\text{mm}$  tolerance