



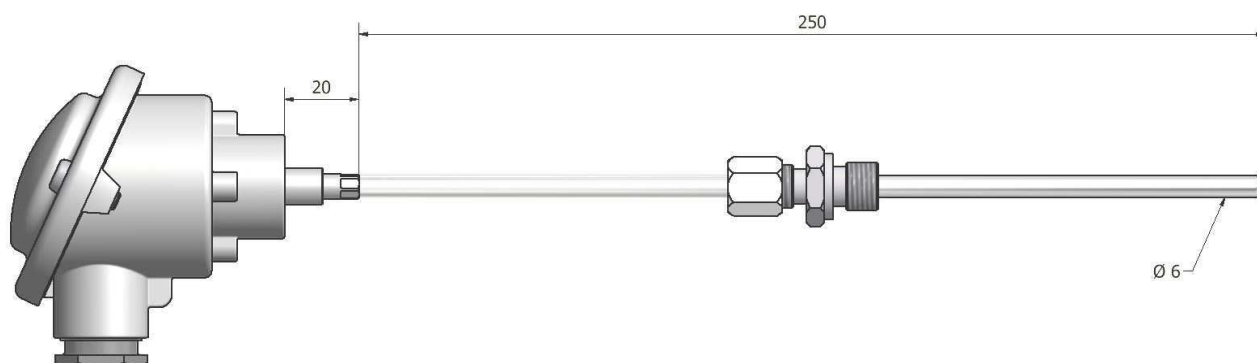
# Data sheet

## CTMTCB

ENGLISH

RS Stock No. 896-8409

RS Stock No. 896-8409



Thermocouple K . Ø6 x 250 . Sliding fitting

**RANGE :**

0°C / +1000°C

**USE:**

Universal

**KEY POINT:**

Reagent, Strong with adjustable process fitting

**SPECIFICATIONS :**

Thermocouple K type (NiCr-Ni-Al)  
Ungrounded hot junction  
Sheath material : SS310  
Mineral pressed Insulation  
Bendable  
B DIN head  
Process connection sliding fitting 1/4" BSPP

**DIMENSIONS:**

Length = 250 mm  
Diameter = 6 mm

**METROLOGICAL DATA:**

As per IEC 584  
Standard tolerance TC "K" class1:  
-40°C < t° < +375°C = ± 1,5°C  
375°C < t° < +1000°C = ±0.004. [t]  
Time constant in water: < 2 s  
Output signal EMF(mV) as per curve of K type as per norme IEC 60584