

FEATURES

- Rated currents from 16A
- General purpose four-wire filtering
- Voltage rating 300 and 520VAC for world wide acceptance

RS PRO Power Line Filters

RS Stock No.: 2378751, 2378752



RS Professionally Approved Products bring to you professional quality parts across all product categories. Our product range has been tested by engineers and provides a comparable quality to the leading brands without paying a premium price.

Power Line Filters

Product Description

- For photovoltaic systems and industrial applications
- Three-phase motor drives
- UPS/SMPS
- Industrial automation equipment

General Specifications

Protection against interference of voltage. Used as a main input filter, YX91 filters can keep the system reliable by restrain the conducted interference. Customized products according to customer's requirements

Mechanical Specifications

<i>size</i>	98X80X40mm (L X W X H)
<i>weight</i>	0.573kgs

Electrical Specifications

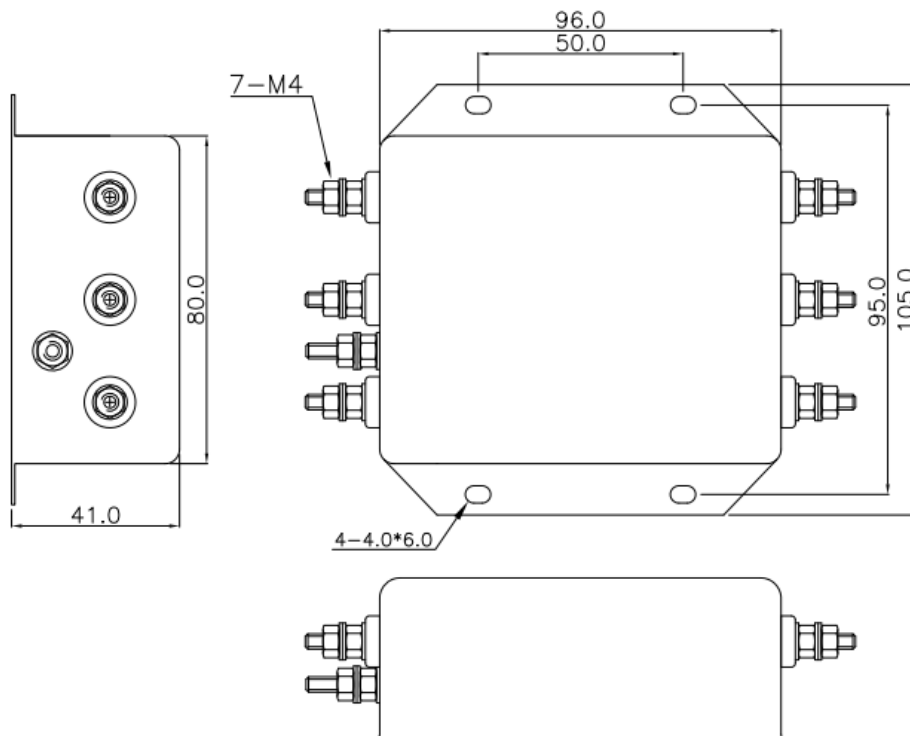
Rated Voltage Max.	300/520VAC,50/60Hz
Operating frequency	50/60Hz
Rated currents	16A@50°C
Hipot Rating	L-N: 1600VDC L/N-G: 4000VDC

Protection Category

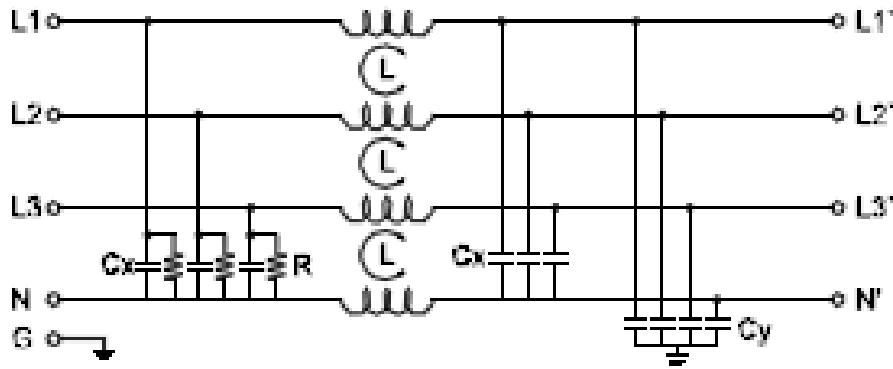
according to IEC 60529 IP40

Approvals

Declarations	CUL;TUV;CE
Standards Met	UL1283, CSA C22.2 No.8; IEC/EN 60939,;

Physical Dimensions:

Electrical Schematic:



Insertion loss table(In 50ohm system according IEC/CISPR No.17)

———— Common mode - - - - - Differential mode

16A

