

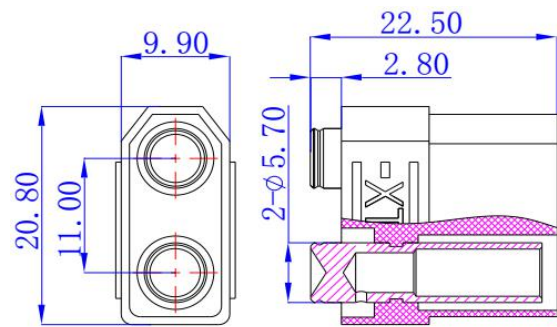


Datasheet

RS PRO XT90PB Female connector

Stock number: 180-5381

EN



Section

Material & Parameter

Recommend USE :Battery

Color: Yellow

Metal Material: Brass Gold Plated

Plastic Material: PA

FR Level: UL94 V0

Cable Spec: PCB

Certification: ---

Contact Resistance: 0.30mΩ

Rated Voltage: DC 500V

Rated Current: 40A

Momentary Current: 90A

Use Times: 1000 TIMES

Use Temperature: -20°C to 120°C

Remark: Data sheet will change according with the test background