

# Short Metal Pushbutton Switches **multicomp**<sup>PRO</sup>

RoHS  
Compliant



## Specifications

Rating	: 2A/36V DC
Electrical Life	: 200,000 make-and-break cycles at full load.
Mechanical Life	: 1,000,000. Cycles
Dielectric Strength	: 2,000V RMS@sea level
Contact Resistance	: 50mΩ MAX. @1A 12V DC (initial value)
Operating Temperature	: -20°C to 70°C
Travel	: ABOUT 1.8 ±0.2mm
Operation Pressure	: 4.5 ±1.5N
Ingress Protection	: IP67, IK10 (Stainless)
Torque	: 1Nm to 3Nm

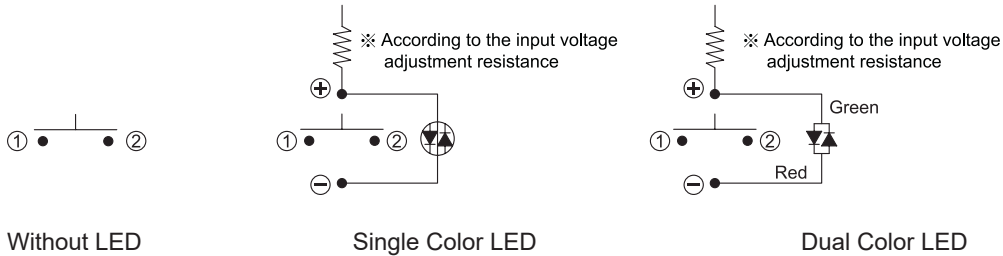
Current limiting resistor is required to limit led forward current to 20mA

## Materials

Bushing	: Stainless Steel
Base	: PA66, White UL-94V0
Actuator	: PC, Translucent UL-94V2 Stainless Steel
Inner Assembly	: PC,Transparent UL-94V2
Spring	: Spring steel
Sealing	: Sillicone,Translucent
O-Ring	: Sillicone, Black
Terminal	: Brass, Gold flash plated
Contact	: Brass, Sliver alloy
Hex Nut	: Brass, Nickel plated

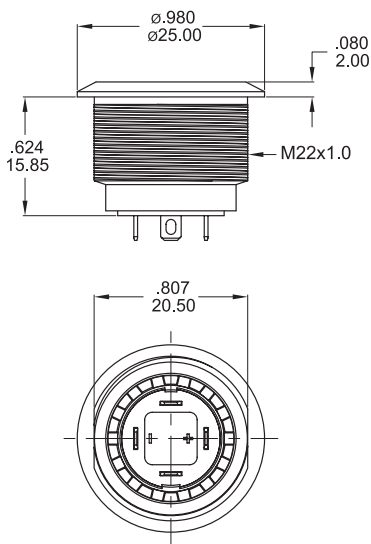
# Short Metal Pushbutton Switches **multicomp** PRO

## Circuit

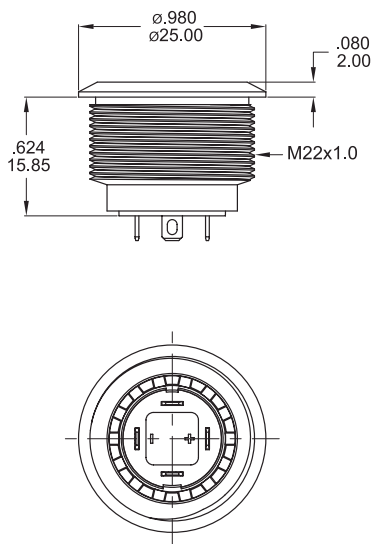


## Body Type

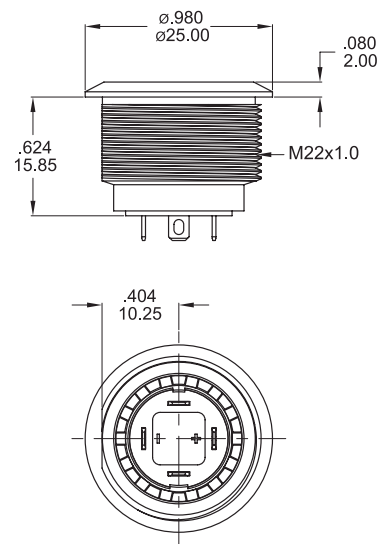
Double flat



Non-flat

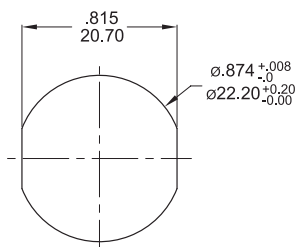


D Shape

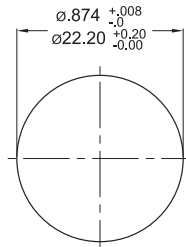


## Panel Cutout

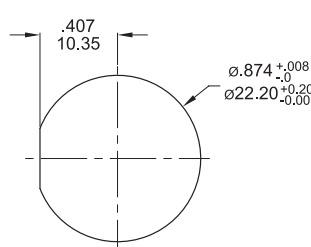
Thickness: 6.0mm(Max.)



Double flat



Non-flat



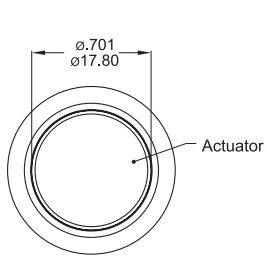
D Shape

Dimensions : Millimetres

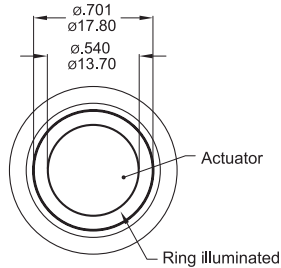
# Short Metal Pushbutton Switches **multicomp** PRO

## Light Type

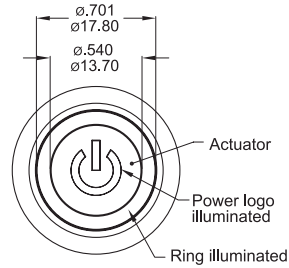
### N Without LED



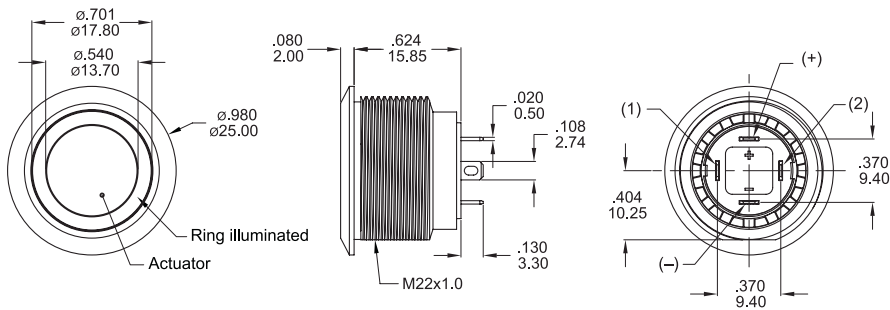
### E Ring



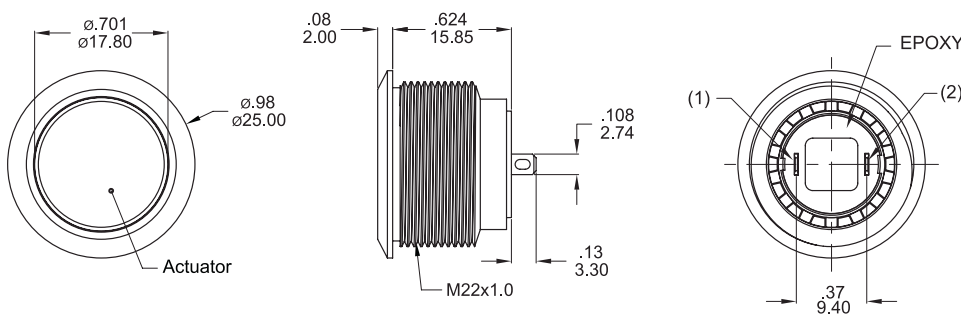
### P Power+Ring



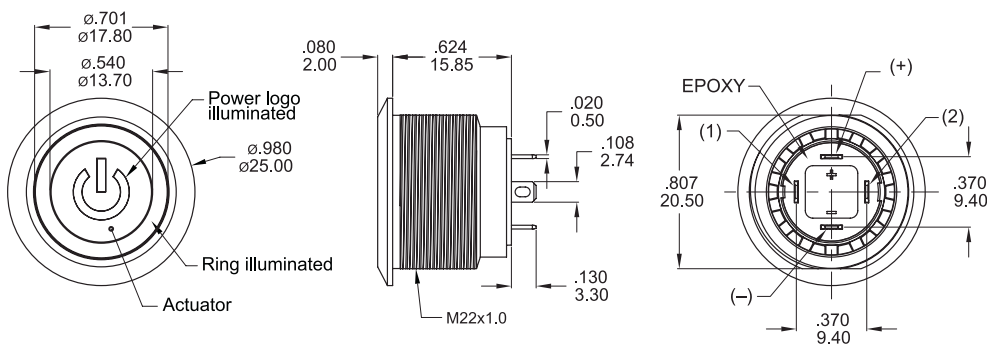
## E Ring



## N Without LED



## P Power+Ring



Dimensions : Millimetres

# Short Metal Pushbutton Switches **multicomp** PRO

---

## Part Number Table

Description	Part Number
Pushbutton Switch, 22mm, Red LED	MPM22-A03FE-3-R-3V
Pushbutton Switch, 22mm, W/O LED	MPM22-A02FN-0-JR-0V
Pushbutton Switch, 22mm, Red LED	MPM22-A01FP-3-JR-3V

**Important Notice :** This data sheet and its contents (the "Information") belong to the members of the AVNET group of companies (the "Group") or are licensed to it. No licence is granted for the use of it other than for information purposes in connection with the products to which it relates. No licence of any intellectual property rights is granted. The Information is subject to change without notice and replaces all data sheets previously supplied. The Information supplied is believed to be accurate but the Group assumes no responsibility for its accuracy or completeness, any error in or omission from it or for any use made of it. Users of this data sheet should check for themselves the Information and the suitability of the products for their purpose and not make any assumptions based on information included or omitted. Liability for loss or damage resulting from any reliance on the Information or use of it (including liability resulting from negligence or where the Group was aware of the possibility of such loss or damage arising) is excluded. This will not operate to limit or restrict the Group's liability for death or personal injury resulting from its negligence. Multicomp Pro is the registered trademark of Premier Farnell Limited 2019.

Newark.com/multicomp-pro  
Farnell.com/multicomp-pro  
sg.element14.com/b/multicomp-pro

**multicomp** PRO