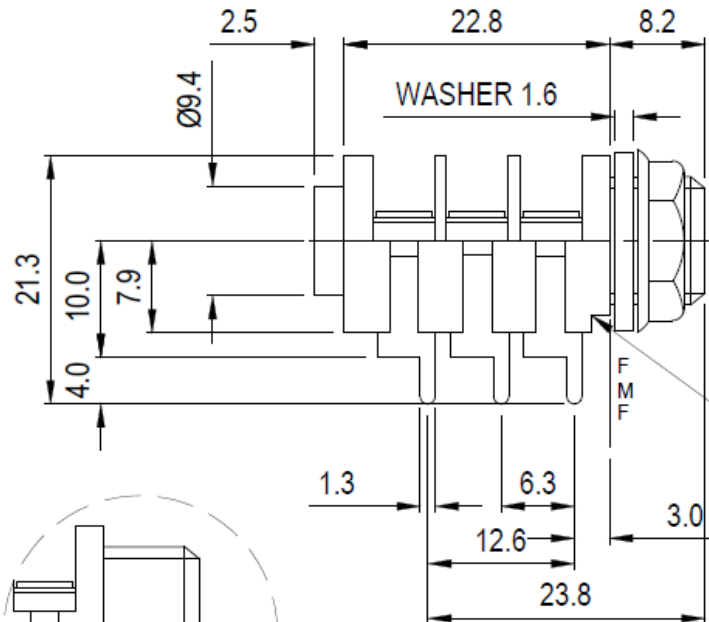




Datasheet

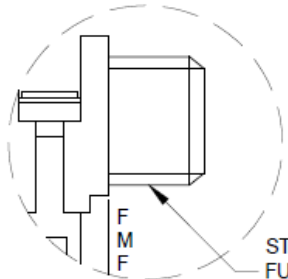
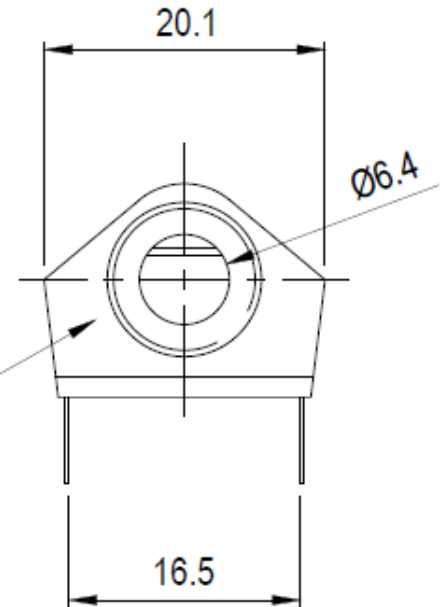
RS PRO – S2/BBB/PCA Jack Socket (Assembled)

ENGLISH

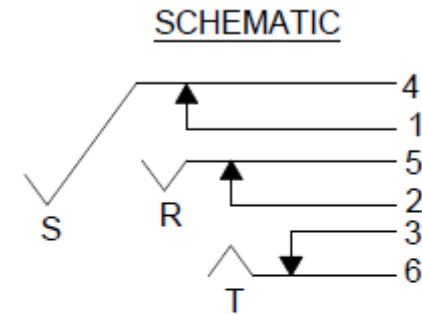
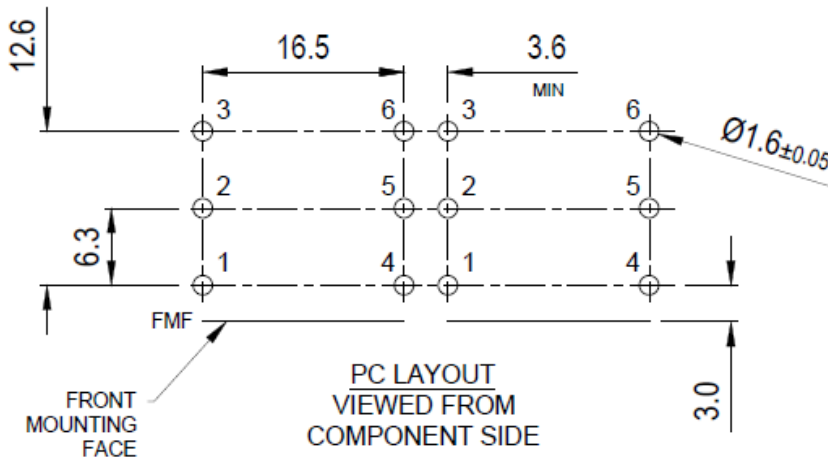


THIS RECESS IS TO FACILITATE MOUNTING IN FLOWSOLDER JIGS

NUT + WASHER NOT SHOWN.



STANDARD NOSE
FULL THREAD
7/16" x 20 TPI UNF



SWITCH CONTACTS OPEN WHEN PLUG IS INSERTED, CLOSE WHEN PLUG IS WITHDRAWN.

Specification

- Withstand Voltage: 2000V dc min.
- Maximum Current: 5amps
- Temperature Rating: -10°C to 70°C
- Life (Minimum): 10,000+ Operations
- Nominal Contact Resistance: <math><50\text{m}\Omega</math>

Notes

- Maximum Panel Thickness 4.6mm
- Supplied with nut & fibre washer assembled