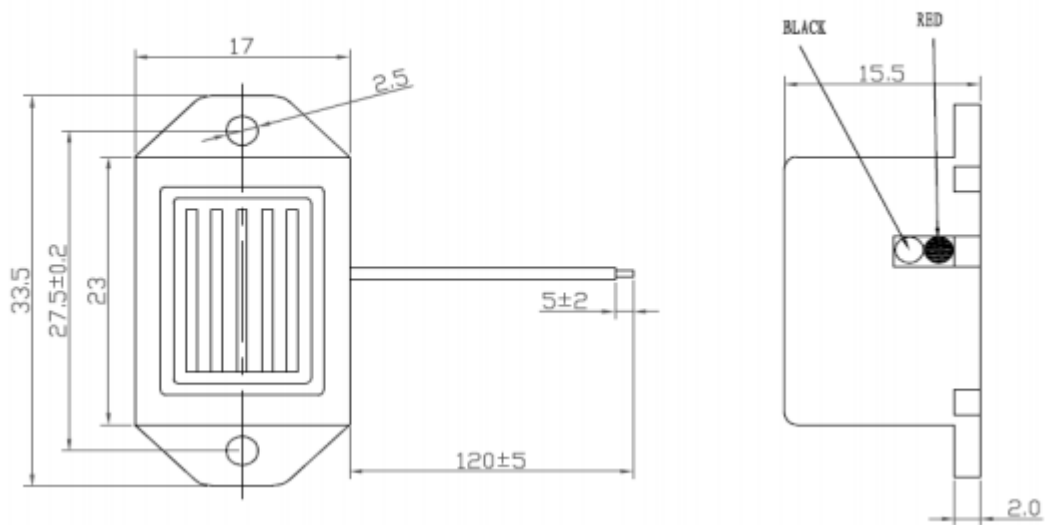


## Datasheet

# 15V dc Flange Mount Electrmagnetic Buzzer, 75dB Continuous

RS Stock number [724-3184](#)

Dimensions: (Unit: mm; Tolerance:  $\pm 0.5$ m)



### Features:

- Colour: Black
- Housing Material: ABS
- Internal drive circuit

All data at 25°C unless otherwise specified.

SPECIFICATIONS	Electro Mechanical Indicator
Operating Voltage	9 – 15 VDC
Rated voltage	12 VDC
Rated Current at rated voltage Max	25mA @ 12v
Sound Output at 20cm, at rated voltage	$\geq 75$ dB @ 6v
Resonant Frequency	400 $\pm$ 100Hz
Tone	Continuous
Operating Temperature	-10 ~ +60°C
Storage Temperature	-10 ~ +70°C
Weight	10g