

RoHS
Compliant



Specification

| | |
|--------------------------------------|--|
| Rated Voltage | : 100V AC to 120V AC 50Hz/60Hz |
| Rated Current | : 0.221 AMP @ 50Hz 0.211 AMP @ 60Hz |
| Rated Power | : 3.2 W@ 50Hz 3.3 W @ 60Hz |
| Tolerance | : ±15% on Rated Power and Current |
| Rated Speed | : 3100 RPM ±20% in Free Air at Rated Voltage @ 50Hz 3200 RPM ±20% in Free Air at Rated Voltage @ 60Hz |
| Max. Airflow At Zero Static Pressure | : Nominal 40 / MIN. 34 CFM @ 50Hz Nominal 41 / MIN. 34.9 CFM @ 60Hz |
| Max. Static Pressure At Zero Airflow | : Nominal 0.14 / MIN. 0.12 inch-H ₂ O @ 50Hz Nominal 0.15 / MIN. 0.13 inch-H ₂ O @ 60Hz |
| Acoustic Noise | : Nominal 32 dB(A) / MAX. 36.8 dB(A) @ 50Hz Nominal 33 dB(A) / MAX. 37.9 dB(A) @ 60Hz |
| Insulation Class | : UL CLASS : A |
| Ingress Protection | : None |
| Life Expectancy | : 60,000 Hours at 40°C, 65% Humidity, 90% CL. |
| Direction of Rotation | : Counter-Clockwise From Blade Side |
| Electromagnetic Interference | : X1 Capacitor 1.5uF/300V Min. (Optional, Across Line and Neutral Of AC Power Input Leads) |

Mechanical

| | |
|------------------------|---------------------------------|
| Bearing System | : Vapo Bearing System |
| Materials of Frame | : Thermoplastic PBT of UL 94V-0 |
| Materials of Fan Blade | : Thermoplastic PBT of UL 94V-0 |
| Impeller Balance Grade | : G6.3 Per ISO 1940-1:2003(E) |
| Weight | : 99.3 Grams |

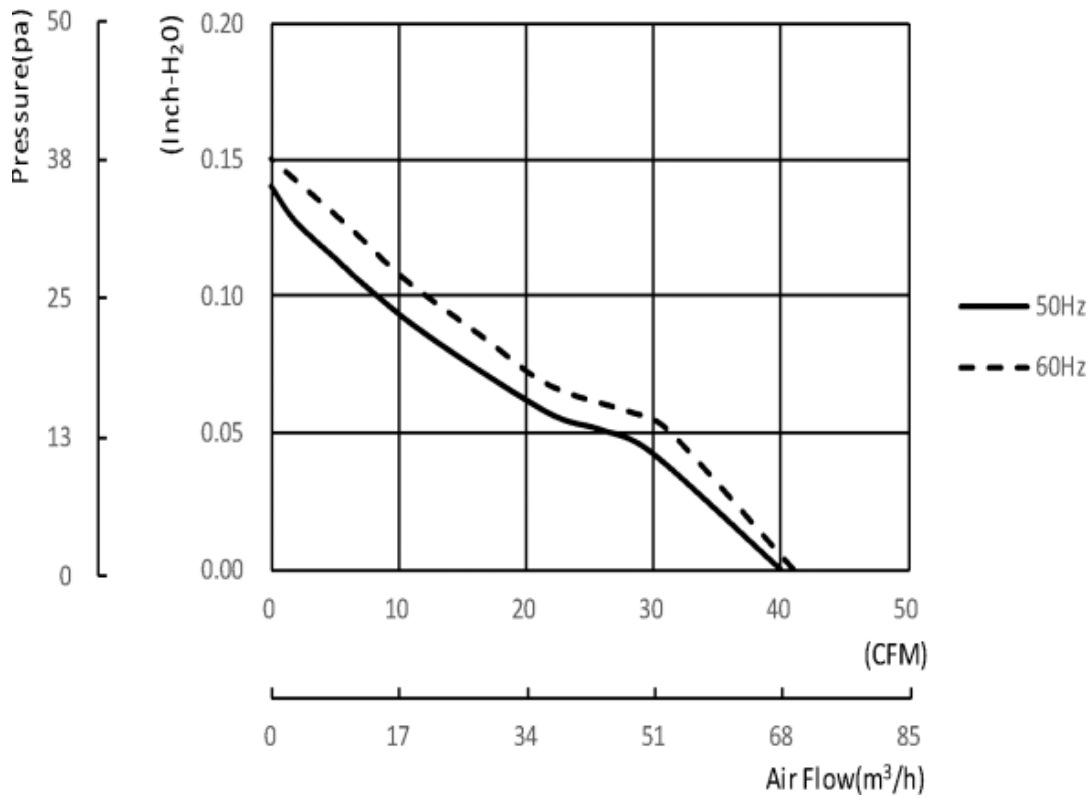
Environmental

| | |
|-----------------------------|------------------|
| Operating Temperature Range | : -20°C to +70°C |
| Storage Temperature Range | : -40°C to +70°C |
| Operating Humidity Range | : 5 to 90% RH |
| Storage Humidity Range | : 5 to 95% RH |

Protection

- Over Temperature Protection

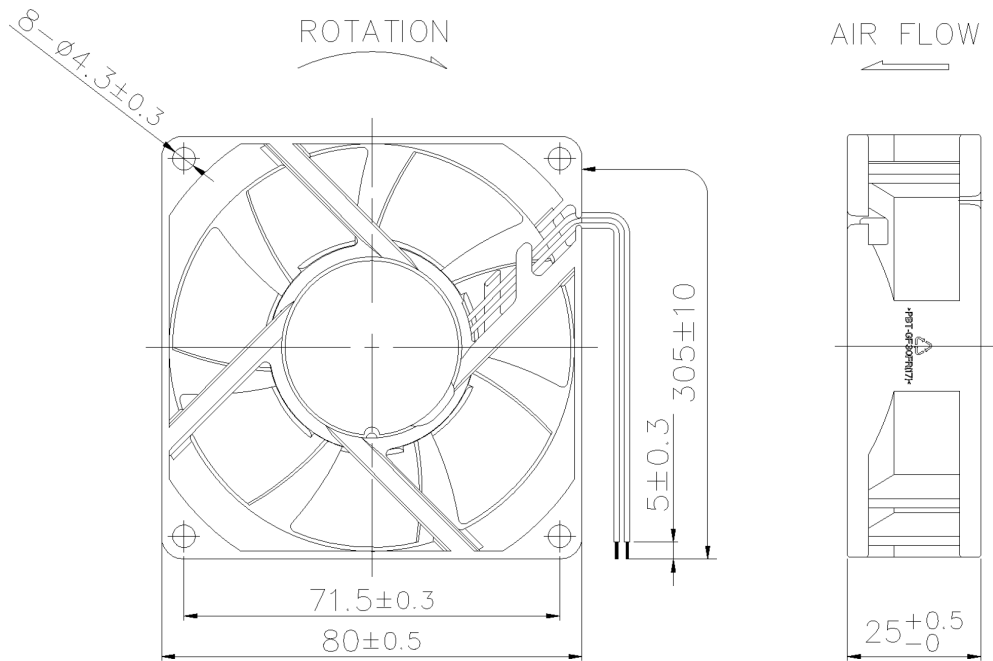
Air Flow & Static Pressure Curve



NOTE: The airflow and static pressure are measured with specific fixture.

Dimensions

| Screw Type (Pan Head) | Torque | Screw Spec. | |
|-----------------------|------------|-------------|-----------------|
| | | Size | Standard |
| Machine Screw | 3~4 kgf-cm | M4.0 | JISB1111-1974 |
| Self-Tapping Screw | 5~6 kgf-cm | Φ5.0 | JISB1122 Type 2 |



Note:

- 1. Lead Wire: ULS3266 #Z24AWGE Gray
- 2. Frame Type: Flange

Dimensions : Millimetres

Part Number Table

| Description | Part Number |
|--|------------------------|
| AC Axial Fan, 80mm × 80mm × 25mm, 100V - 120V AC | MP-CF1082HVL-10000-999 |

Important Notice : This data sheet and its contents (the "Information") belong to the members of the AVNET group of companies (the "Group") or are licensed to it. No licence is granted for the use of it other than for information purposes in connection with the products to which it relates. No licence of any intellectual property rights is granted. The Information is subject to change without notice and replaces all data sheets previously supplied. The Information supplied is believed to be accurate but the Group assumes no responsibility for its accuracy or completeness, any error in or omission from it or for any use made of it. Users of this data sheet should check for themselves the Information and the suitability of the products for their purpose and not make any assumptions based on information included or omitted. Liability for loss or damage resulting from any reliance on the Information or use of it (including liability resulting from negligence or where the Group was aware of the possibility of such loss or damage arising) is excluded. This will not operate to limit or restrict the Group's liability for death or personal injury resulting from its negligence. Multicomp Pro is the registered trademark of Premier Farnell Limited 2019.