

## FEATURES

- All Fluids compatible
- Mechanical resistance
- Silicon free

# RS PRO Bulkhead Connector

RS Stock No.: 2312548



RS PROfessionally Approved Products bring to you professional quality parts across all product categories. Our product range has been tested by engineers and provides a comparable quality to the leading brands without paying a premium price.

## Product Description

The RS PRO bulkhead connector works in -0.99 bar to 50 bar pressure range. It mainly used in compressed air pneumatic automation, industrial water circuits, inert gases, Fluids, Steam, vacuum applications. High performances in pressure and temperatures (+300°C). Available with sharp threads. RoHS and REACH compliant.

## General Specifications

<b>Pneumatic Fitting Type</b>	Bulkhead Threaded Adaptor
<b>Angle</b>	Straight
<b>Shape Type</b>	Straight
<b>Maximum Operating Pressure</b>	50bar
<b>Applications</b>	Compressed air pneumatic automation, industrial water circuits, inert gases, Fluids, Steam, vacuum applications

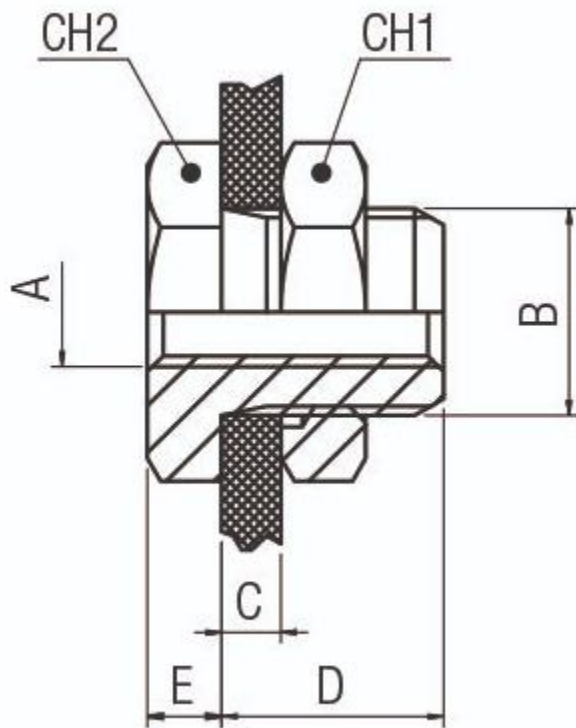
## Mechanical Specifications

<b>Connection Style</b>	Threaded
<b>Number of Inlet Ports</b>	1
<b>Tube Connection A</b>	G 1/2 Female
<b>Tube Connection A - Tube Size</b>	1/2in
<b>Tube Connection B</b>	M28 Male
<b>Tube Connection B - Tube Size</b>	M28

Connectors	
Connector A	G 1/2 Female
Threaded Connection A	1/2in
Threaded Connection A – Gender	Female
Connector B	M28 Male
Threaded Connection B	M28

### Similar Products

Parameters	2312668	2312669
Brand	RS PRO	RS PRO
Pneumatic Fitting Type	Bulkhead Threaded-to-Tube Adaptor	Bulkhead Threaded-to-Tube Adaptor
Angle	Straight	Straight
Shape Type	Straight	Straight
Maximum Operating Pressure	20bar	20bar
Connection Style	Threaded-to-Tube	Threaded-to-Tube
Number of Inlet Ports	1	1
Inlet Port	Push In 4mm	Push In 6mm
Tube Connection A	Push In 4mm	Push In 6mm
Tube Connection A - Tube Size	4mm	6mm
Tube Connection B	1/8 in Female	1/4 in Female
Tube Connection B - Tube Size	1/8 in	1/4 in
Threaded Connection	1/8 in Female	1/4 in Female
Length	29mm	33mm
Wrench Size 1	15mm	16mm
Wrench Size 2	17mm	17mm
Connector A	Push In 4mm	Push In 6mm
Threaded Connection A	4mm	6mm
Connector B	1/8 in Female	1/4 in Female
Threaded Connection B	1/8in	1/4in
Threaded Connection B – Gender	Female	Female



A	B	C	D	E	CH1	CH2	Pack.
1/2	M28x1.5	21	27	6	36	32	10