

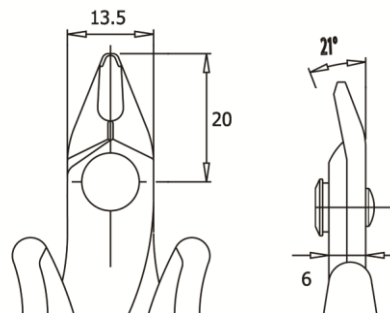


ENGLISH

Datasheet

Cable Cutters

Cable Cutter, 138mm Overall Length, 1.63mm cutting capacity



[RS Stock No. 606-507](#)

Tool for a chamfered cut. The special treatment of blades make this tool particularly suitable for the cutting of ferrous material. Cutting force (kg) 8.5 / Copper wire (\varnothing mm)1.63 (awg) 14 / Steel thickness 3.0mm. Tool length 138mm.