



RS PRO 3/2, 5/2 or 5/3 Manual and mechanical actuated spool valves



- > Port size: G1/8 or G1/4, \varnothing 6 mm PIF
- > Wide range of operators
- > Suitable for multi-directional flow and dual supply applications
- > High flow capacity



Technical features

Medium:

Compressed air, filtered, lubricated and non-lubricated

Operation:

Spool valve, directly and indirectly actuated

Ports:

1/8", \varnothing 6 mm PIF (available on the PA range only) and 1/4"

Operating pressure:

Max. 10 bar (145 psi)

Flow:

Size	l/min	Cv	Kv
1/8"	335	0,34	0,295
1/4"	965	0,98	0,351

Ambient/Media temperature:

0 ... +70°C (+32 ... +158°F)

Air supply must be dry enough to avoid ice formation at temperatures below +2°C (+35°F).

Mounting:

Through-holes in valve body

3/2 way PA body valves:

Metal versions are available on request

Port assembly torque:

Use recommended torque for fittings. This should not exceed 10 Nm, otherwise damage may occur to body.

PIF Ports:

The PIF fittings are suitable for PA 11 or 12, PU (92 to 98 shore) and other plasticised or unplasticised tubing which conforms to the tolerances specified in BS5409, Part 1, 1976, light and normal duty, DIN 73378, DIN74234, NFE 49-100. Tube is to be cut square and free of burrs.

Materials:

Plastic version for 3/2 way valves:

Body and end cover: PA6

Operators: Aluminium, steel, plastic etc.

Seals: NBR

Metal version:

Body: diecast zinc

End cover:

aluminium or glass-filled nylon

Operators: Aluminium,

steel, plastic etc.

Seals: NBR

Technical data

3/2-mechanical valves

Symbol	Port size	Actuation	Body	Operating pressure (bar)	Operating force (N)	Weight (kg)	Dimension No.	RS Stock No
	G1/8	Plunger/spring	PA6	-0,9 ... 10	31	0,06	1	2354724
	ø 6 mm	Plunger/spring	PA6	-0,9 ... 10	31	0,07	1	
	G1/4	Plunger/spring	Zinc	-0,9 ... 10	53	0,34	23	
	G1/8	Plunger/pilot	Zinc	-0,9 ... 10 *1)	18	0,20	2	
	G1/8	Roller/spring	PA6	-0,9 ... 10	31	0,06	3	
	ø 6 mm	Roller/spring	PA6	-0,9 ... 10	31	0,07	3	
	G1/4	Roller/spring	Zinc	-0,9 ... 10	61	0,34	24	
	G1/8	Roller/pilot	Zinc	-0,9 ... 10	18 *1)	0,18	4	
	G1/4	Roller/pilot	Zinc	-0,9 ... 10	13 *1)	0,39	25	
	G1/8	Roller lever/pilot	Zinc	-0,9 ... 10	9 *1)	0,25	6	
	G1/4	Roller lever/pilot	Zinc	-0,9 ... 10	9 *1)	0,45	27	
	G1/8	Roller lever/spring	PA6	-0,9 ... 10	31	0,09	5	
	ø 6 mm	Roller lever/spring	PA6	-0,9 ... 10	31	0,10	5	
	G1/4	Roller lever/spring	Zinc	-0,9 ... 10	45	0,41	26	
	G1/8	Roller lever (heavy duty) /spring	PA6	-0,9 ... 10	31	0,12	7	2354723
	ø 6 mm	Roller lever (heavy duty) /spring	PA6	-0,9 ... 10	31	0,13	7	
	G1/8	One way trip lever/spring	PA6	-0,9 ... 10	31	0,12	9	
	G1/8	One way trip lever (heavy duty) /spring	PA6	-0,9 ... 10	31	0,15	10	
	ø 6 mm	One way trip lever (heavy duty) /spring	PA6	-0,9 ... 10	31	0,16	10	
	G1/8	Antenna/spring	PA6	-0,9 ... 10	0,3	0,10	11	
	ø 6 mm	Antenna/spring	PA6	-0,9 ... 10	0,3	0,11	11	
	G1/8	Sensitive roller/spring	Zinc	-0,9 ... 10	1	0,25	8	

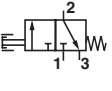
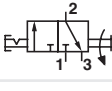
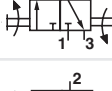
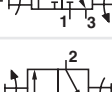
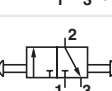
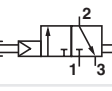
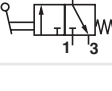
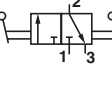
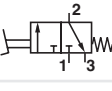
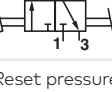

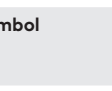
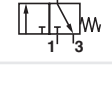
*1) At zero bar, reset pressure 2 bar minimum
Pressure for pilot function is the minimum pressure to operate the valve. The valve may switch below this pressure.

3/2-manual valves

Symbol	Port size	Actuation	Body	Colour	Operating pressure (bar)	Operating force (N)	Weight (kg)	Dimension No.	RS Stock No
	G1/8	Button/spring	PA6	Black	-0,9 ... 10	31	0,07	33	
	ø 6 mm	Button/spring	PA6	Black	-0,9 ... 10	31	0,08	33	
	G1/8	Button/spring	PA6	Green	-0,9 ... 10	31	0,07	33	
	ø 6 mm	Button/spring	PA6	Green	-0,9 ... 10	31	0,08	33	
	G1/8	Button/spring	PA6	Red	-0,9 ... 10	31	0,07	33	
	ø 6 mm	Button/spring	PA6	Red	-0,9 ... 10	31	0,08	33	
	G1/4	Knob/spring	Zinc	Black	-0,9 ... 10	53	0,41	67	
	G1/8	Knob/spring	PA6	Black	-0,9 ... 10	18	0,07	44	
	ø 6 mm	Knob/spring	PA6	Black	-0,9 ... 10	18	0,08	44	
	G1/8	Button (palm) /spring	PA6	Red	-0,9 ... 10	31	0,13	35	
	ø 6 mm	Button (palm) /spring	PA6	Red	-0,9 ... 10	31	0,14	35	
	G1/8	Button (palm) /spring	PA6	Green	-0,9 ... 10	31	0,13	35	
	ø 6 mm	Button (palm) /spring	PA6	Green	-0,9 ... 10	31	0,14	35	
	G1/8	Button (palm) /spring	PA6	Black	-0,9 ... 10	31	0,13	35	
ø 6 mm	Button (palm) /spring	PA6	Black	-0,9 ... 10	31	0,14	35		
	G1/8	Button/pilot	Zinc	Black	-0,9 ... 10 *1)	18	0,22	34	
	G1/8	Button/pilot	Zinc	Green	-0,9 ... 10 *1)	18	0,22	34	
	G1/8	Button/pilot	Zinc	Red	-0,9 ... 10 *1)	18	0,22	34	
	G1/4	Button/pilot	Zinc	Black	-0,9 ... 10 *1)	13	0,42	68	

*1) At zero bar, reset pressure 2 bar minimum
Pressure for pilot function is the minimum pressure to operate the valve. The valve may switch below this pressure.

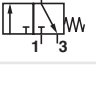
3/2-manual valves

Symbol	Port size	Actuation	Body	Colour	Operating pressure (bar)	Operating force (N)	Weight (kg)	Dimension No.	RS Stock No
	G1/8	Button (shrouded)/spring	PA6	Black	-0,9 ... 10	31	0,11	36	
	ø 6 mm	Button (shrouded)/spring	PA6	Black	-0,9 ... 10	31	0,12	36	
	G1/8	Button (shrouded)/spring	PA6	Green	-0,9 ... 10	31	0,11	36	
	ø 6 mm	Button (shrouded)/spring	PA6	Green	-0,9 ... 10	31	0,12	36	
	G1/8	Button (shrouded)/spring	PA6	Red	-0,9 ... 10	31	0,11	36	
	ø 6 mm	Button (shrouded)/spring	PA6	Red	-0,9 ... 10	31	0,12	36	
	G1/8	Emergency stop/twist reset	PA6	Red	-0,9 ... 10	18	0,15	37	2354726
	ø 6 mm	Emergency stop/twist reset	PA6	Red	-0,9 ... 10	18	0,16	37	
	G1/8	Rotary knob/set reset	PA6	Black	-0,9 ... 10	—	0,14	46	
	ø 6 mm	Rotary knob/set reset	PA6	Black	-0,9 ... 10	—	0,15	46	
	G1/8	Button (palm)/key	PA6	Red	-0,9 ... 10	31	0,20	39	
	ø 6 mm	Button (palm)/key	PA6	Red	-0,9 ... 10	31	0,21	39	
	G1/8	Key/key	PA6	Red	-0,9 ... 10	—	0,16	48	
	ø 6 mm	Key/key	PA6	Red	-0,9 ... 10	—	0,17	48	
	G1/8	Knob/knob	PA6	Black	-0,9 ... 10	18	0,07	44	
	ø 6 mm	Knob/knob	PA6	Black	-0,9 ... 10	18	0,08	44	
	G1/4	Knob/knob	Zinc	Black	-0,9 ... 10	13	0,37	69	
	G1/8	Knob/knob or pilot	Zinc	Black	-0,9 ... 10	18	0,21	45	
	G1/4	Knob/knob or pilot	Zinc	Black	-0,9 ... 10 *3)	13	0,41	70	
	G1/8	Knob lever/spring	PA6	Black	-0,9 ... 10	18	0,09	43	
	G1/8	Lever/spring	Zinc	Black	-0,9 ... 10	9	0,28	42	
	G1/4	Lever/spring	Zinc	Black	-0,9 ... 10	15	0,48	71	
	G1/8	Toggle/toggle	PA6	Black	-0,9 ... 10	28	0,06	41	2354725
	ø 6 mm	Toggle/toggle	PA6	Black	-0,9 ... 10	28	0,07	41	
	G1/8	Lever/lever	PA6	Black	-0,9 ... 10	9	0,29	42	
	G1/8	Lever/lever	Zinc	Black	-0,9 ... 10	13	0,17	40	
	G1/4	Lever/lever	Zinc	Black	-0,9 ... 10	13	0,48	71	
	G1/8	Pedal/spring	Zinc	Black	-0,9 ... 10	22	1,03	49	
	G1/4	Pedal/spring	Zinc	Black	-0,9 ... 10	22	1,23	66	
	G1/8	Pedal/pedal	Zinc	Black	-0,9 ... 10	22	1,07	49	
	G1/4	Pedal/pedal	Zinc	Black	-0,9 ... 10	22	1,27	66	

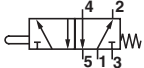
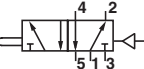
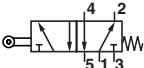
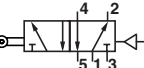
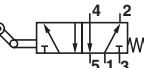
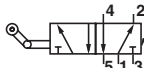
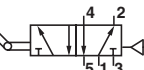
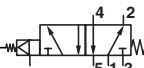
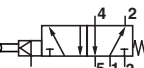
*3) Reset pressure: 4 bar minimum

Pressure for pilot function is the minimum pressure to operate the valve. The valve may switch below this pressure.

3/2-adaptor valves for Klöckner Möller actuators

Symbol	Port size	Actuation	Body	Operating pressure (bar)	Operating force (N)	Weight (kg)	Dimension No.	RS Stock No
	G1/8	Plunger/spring	PA6	-0,9 ... 10	31	0,60	78	
	ø 6 mm	Plunger/spring	PA6	-0,9 ... 10	31	0,50	78	

5/2-mechanical valves

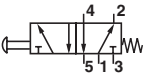
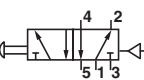
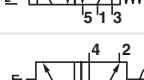
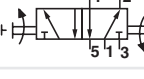

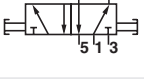

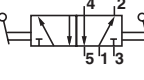
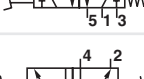




Symbol	Port size	Actuation	Operating pressure (bar)	Operating force (N)	Weight (kg)	Dimension No.	RS Stock No
	G1/8	Plunger/spring	-0,9 ... 10	54	0,25	12	
	G1/4	Plunger/spring	-0,9 ... 10	62	0,46	28	
	G1/8	Plunger/pilot	-0,9 ... 10	22 *1)	0,31	13	
	G1/8	Roller/spring	-0,9 ... 10	54	0,25	14	
	G1/4	Roller/spring	-0,9 ... 10	67	0,46	29	
	G1/8	Roller/pilot	-0,9 ... 10	22 *1)	0,29	15	
	G1/4	Roller/pilot	-0,9 ... 10	13 *1)	0,50	30	
	G1/8	Roller lever/spring	-0,9 ... 10	31	0,32	16	
	G1/4	Roller lever/spring	-0,9 ... 10	45	0,53	31	
	G1/8	Roller lever (heavy duty)/spring	-0,9 ... 10	31	0,29	18	
	G1/8	One-way trip/spring	-0,9 ... 10	31	0,32	20	
	G1/8	One-way trip (heavy duty)/spring	-0,9 ... 10	31	0,29	21	
	G1/8	Roller lever/pilot	-0,9 ... 10	9 *1)	0,36	17	
	G1/4	Roller lever/pilot	-0,9 ... 10	9 *1)	0,57	32	
	G1/8	Antennar/spring	-0,9 ... 10 *2)	0,3	0,30	22	
	G1/8	Sensitive roller/spring	-0,9 ... 10 *2)	1	0,36	19	

*1) At zero bar, reset pressure 2 bar minimum

*2) Constant pilot pressure supply: 3 bar minimum

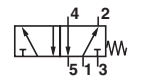
The operating pressure for pilot function is the minimum pressure to operate the valve. The valve may switch below this pressure.

5/2-manual valves

Symbol	Port size	Actuation	Colour	Operating pressure (bar)	Operating force (N)	Weight (kg)	Dimension No.	RS Stock No
	G1/8	Button (palm)/spring	Black	-0,9 ... 10	54	0,26	50	
	G1/8	Button (palm)/spring	Green	-0,9 ... 10	54	0,26	50	
	G1/8	Button (palm)/spring	Red	-0,9 ... 10	54	0,26	50	
	G1/4	Button/spring	Black	-0,9 ... 10	62	0,47	72	
	G1/8	Button (palm)/spring	Red	-0,9 ... 10	31	0,40	51	
	G1/8	Button (palm)/spring	Green	-0,9 ... 10	31	0,40	51	
	G1/8	Button (palm)/spring	Black	-0,9 ... 10	31	0,40	51	
	G1/8	Button (palm)/pilot	Black	-0,9 ... 10 *1)	22	0,34	53	
	G1/8	Button (palm)/pilot	Green	-0,9 ... 10 *1)	22	0,34	53	
	G1/8	Button (palm)/pilot	Red	-0,9 ... 10 *1)	22	0,34	53	
	G1/8	Button (shrouded)/spring	Black	-0,9 ... 10	54	0,32	52	
	G1/8	Button (shrouded)/spring	Green	-0,9 ... 10	54	0,32	52	
	G1/8	Button (shrouded)/spring	Red	-0,9 ... 10	54	0,32	52	
	G1/8	Emergency stop/twist reset	Red	-0,9 ... 10	18	0,54	51	
	G1/8	Button (palm)/key		-0,9 ... 10	—	0,48	55	
	G1/8	Key/key		-0,9 ... 10	—	0,47	64	
	G1/8	Rotary knob/knob reset		-0,9 ... 10	—	0,48	54	
	G1/8	Knob/knob	Black	-0,9 ... 10	22	0,28	61	
	G1/4	Knob/knob	Black	-0,9 ... 10	13	0,49	74	
	G1/8	Knob, push/knob, pull or pilot	Black	-0,9 ... 10 *1)	22	0,32	62	
	G1/4	Knob, push/knob, pull or pilot	Black	-0,9 ... 10 *1)	13	0,54	73	
	G1/8	Knob lever/spring		-0,9 ... 10	31	0,35	60	
	G1/8	Lever/spring	Black	-0,9 ... 10	16	0,40	58	
	G1/4	Lever/spring	Black	-0,9 ... 10	15	0,60	75	
	G1/8	Toggle/toggle	Black	-0,9 ... 10	13	0,28	56	
	G1/8	Toggle/toggle	Black	-0,9 ... 10	48	0,27	57	2354743
	G1/8	Lever/lever	Black	-0,9 ... 10	13	0,40	59	
	G1/4	Lever/lever	Black	-0,9 ... 10	13	0,61	75	
	G1/8	Pedal/spring	Black	-0,9 ... 10	22	1,12	65	2354744
	G1/4	Pedal/spring	Black	-0,9 ... 10	22	1,33	77	
	G1/8	Pedal/pedal	Black	-0,9 ... 10	22	1,18	65	
	G1/4	Pedal/pedal	Black	-0,9 ... 10	22	1,27	76	

The operating pressure for pilot function is the minimum pressure to operate the valve. The valve may switch below this pressure.

5/2-adaptor valves for Klöckner Möller actuators

Symbol	Port size	Actuation	Operating pressure (bar)	Operating force (N)	Weight (kg)	Spare kit	Dimension No.	RS Stock No
	G1/8	Plunger/spring	-0,9 ... 10	54	0,25		79	



5/3-manual valves

Symbol	Port size	Actuation	Colour	Function	Operating pressure (bar)	Operating force (N)	Weight (kg)	Dimension No.	RS Stock No
	G1/8	Lever/spring/lever	Black	APB	-0,9 ... 10	15	0,85	60	
	G1/4	Lever/spring/lever	Black	APB	-0,9 ... 10	15	1,06	76	
	G1/8	Lever/spring/lever	Black	COE	-0,9 ... 10	15	0,85	60	
	G1/4	Lever/spring/lever	Black	COE	-0,9 ... 10	15	1,06	76	
	G1/8	Lever/lever/lever	Black	APB	-0,9 ... 10	12	0,44	60	
	G1/4	Lever/lever/lever	Black	APB	-0,9 ... 10	12	0,65	76	
	G1/8	Lever/lever/lever	Black	COE	-0,9 ... 10	12	0,44	60	
	G1/4	Lever/lever/lever	Black	COE	-0,9 ... 10	12	0,65	76	

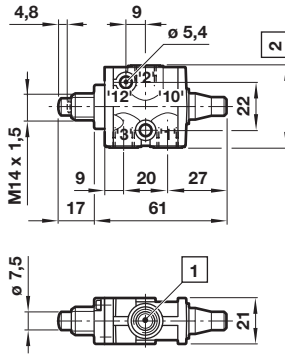
Dimensions

Dimensions in mm
Projection/First angle



1

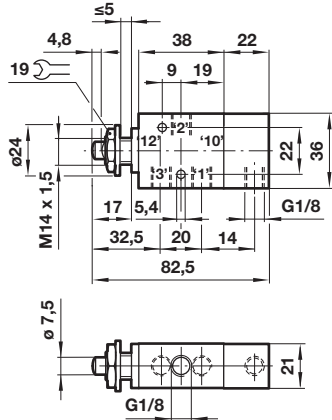
3/2 Plunger actuated spring return valve



The plunger on this valve is designed for axial loading only.
Nut and mounting washer kit supplied as optional.

2

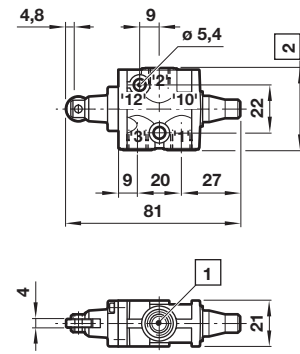
3/2 Plunger actuated pilot return valve



Full movement: 4,8 mm
Panel hole: \varnothing 15 mm
The plunger on this valve is designed for axial loading only. This valve can be panel mounted.

3

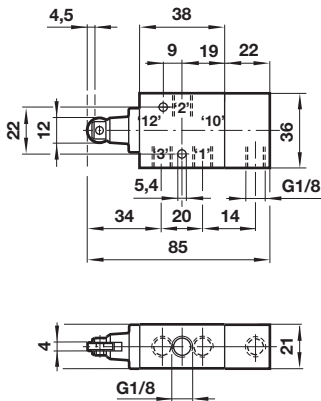
3/2 Roller actuated spring return valve



Maximum recommended cam rise: 4,5 mm
Cam angle of approach: 30° maximum
Cam speed: 8 m/min. maximum
Operating speed: 300 cpm

4

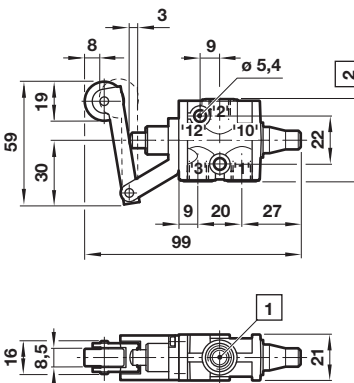
3/2 Roller actuated pilot return valve



Maximum recommended cam rise: 4,5 mm
Cam angle of approach: 30° maximum
Cam speed: 8 m/min. maximum
Operating speed: 300 cpm

5

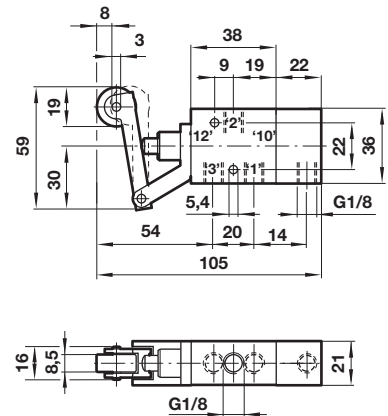
3/2 Roller lever actuated spring return valve



Operating travel: 8 mm
Over-travel: 3 mm
Cam angle of approach: 45° maximum
Cam speed: 8 m/min. maximum
Operating speed: 300 cpm

6

3/2 Roller lever actuated pilot return valve



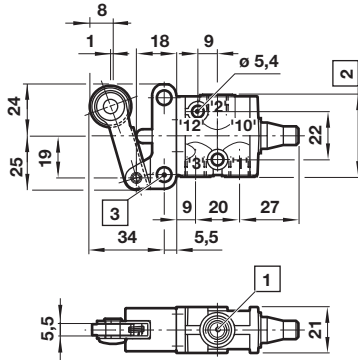
Operating travel: 8 mm;
Over-travel: 3 mm
Cam angle of approach: 45° maximum
Cam speed: 8 m/min. maximum
Operating speed: 300 cpm

1 Port size G1/8 or \varnothing 6 mm

2 37 mm for G1/8 and 45 mm for \varnothing 6 mm

7

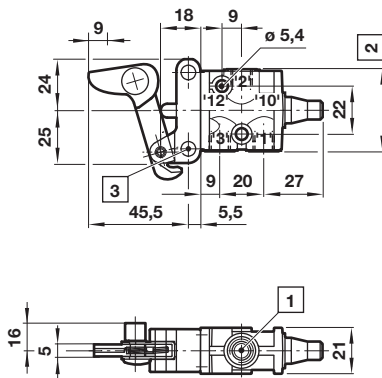
3/2 Heavy duty roller lever actuated spring return valve



Operating Travel: 8 mm
 Over-travel: 1 mm
 Cam angle of approach: 45° maximum
 Cam speed: 8 m/min. maximum
 Operating speed: 300 cpm

10

3/2 Heavy duty one-way trip actuated spring return valve

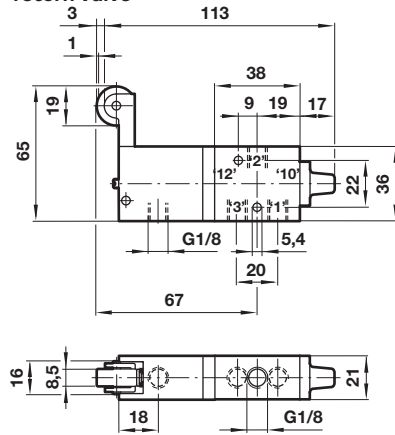


Cam rise: 9 mm
 Cam angle of approach: 90° maximum
 Cam speed: 2 m/min. maximum
 Operating speed: 120 cpm

- 1 Port size G1/8 or \varnothing 6 mm
- 2 37 mm for G1/8 and 45 mm for \varnothing 6 mm
- 3 0,7 mm thick spacing washer must be used if additional mounting holes are used.

8

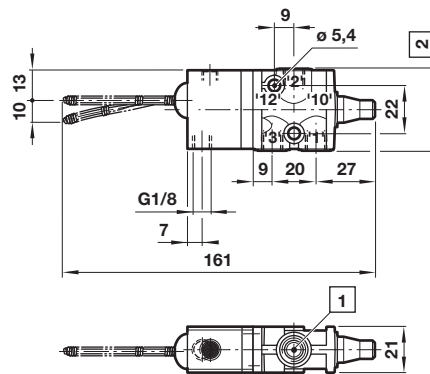
3/2 Sensitive roller lever actuated spring return valve



Pre-travel: 1 mm; Over-travel: 3 mm
 Cam angle of approach: 45° maximum
 Cam speed: 6,5 m/min. maximum

11

3/2 Antenna actuated spring return valve



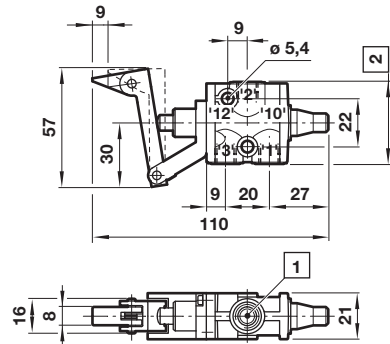
Operating movement:
 10 mm minimum in any direction.

9

Dimensions in mm
 Projection/First angle



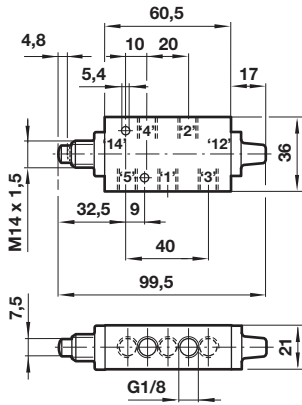
3/2 One-way trip actuated spring return valve



Cam rise: 9 mm
 Cam angle of approach: 90° maximum
 Cam speed: 2 m/min. maximum
 Operating speed: 120 cpm

12

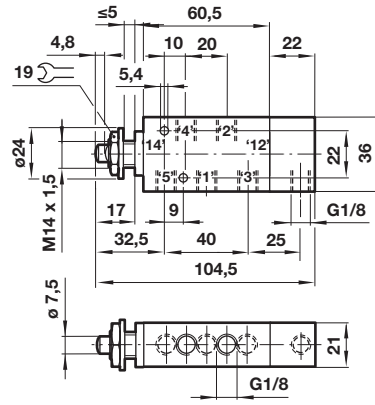
5/2 Plunger actuated spring return valve



Full movement: 4,8 mm
The plunger on this valve is designed for axial loading only.
Nut and mounting washer kit supplied as optional

13

5/2 Plunger actuated pilot return valve



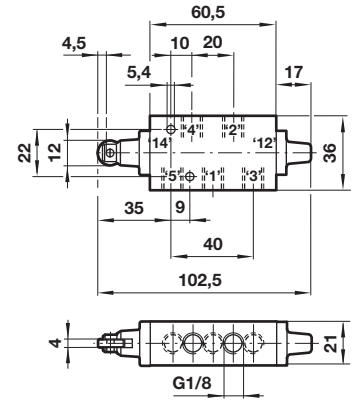
Full movement: 4,8 mm
Panel hole: Ø 15 mm
The plunger on this valve is designed for axial mounting only. This valve can be panel mounted.

14

Dimensions in mm
Projection/First angle



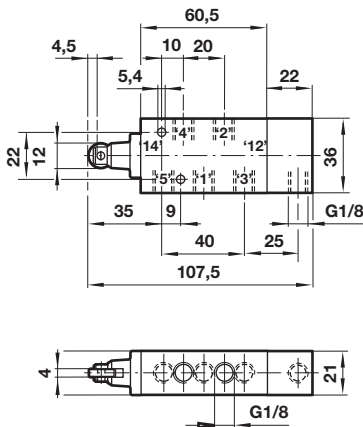
5/2 Roller actuated spring return valve



Maximum recommended cam rise: 4,5 mm
Cam angle of approach: 30° maximum
Cam speed: 8 m/min. maximum
Operating speed: 300 cpm

15

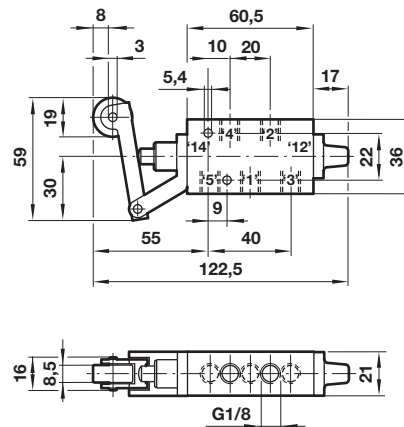
5/2 Roller actuated pilot return valve



Maximum recommended cam rise: 4,5 mm
Cam angle of approach: 30° maximum
Cam speed: 8 m/min. maximum
Operating speed: 300 cpm

16

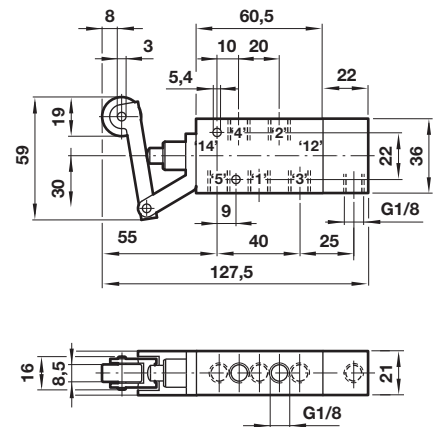
5/2 Roller lever actuated spring return valve



Operating travel: 8 mm
Over-travel: 3 mm
Cam angle of approach: 45° maximum
Cam speed: 8 m/min. maximum
Operating speed: 300 cpm

17

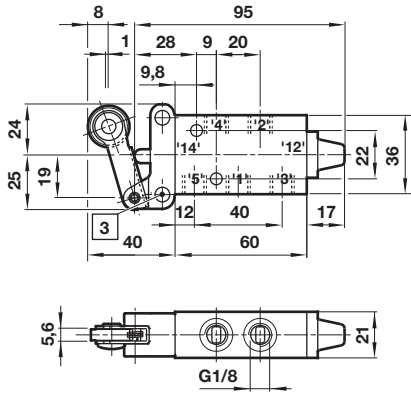
5/2 Roller lever actuated pilot return valve



Operating travel: 8 mm; Over-travel: 3 mm
Cam angle of approach: 45° maximum
Cam speed: 8 m/min. maximum
Operating speed: 300 cpm

18

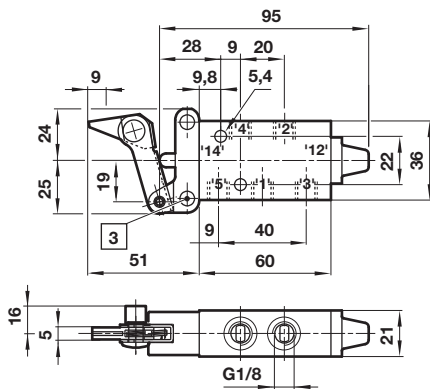
5/2 Heavy duty roller lever actuated spring return valve



Operating travel: 8 mm
 Over-travel: 1 mm
 Cam angle of approach: 45° maximum
 Cam speed: 8 m/min. maximum
 Operating speed: 300 cpm

21

5/2 Heavy duty one-way trip actuated spring return valve

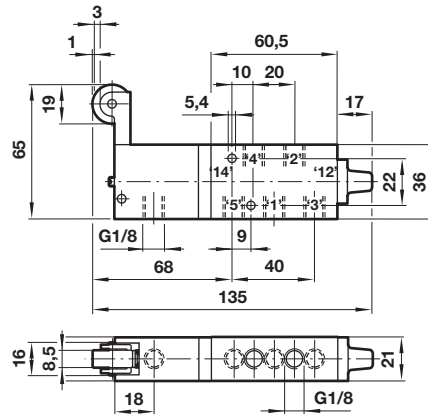


Cam rise: 9 mm
 Cam angle of approach: 90° maximum
 Cam speed: 2 m/min. maximum
 Operating speed: 120 cpm

3 0,7 mm thick spacing washer must be used if additional mounting holes are used.

19

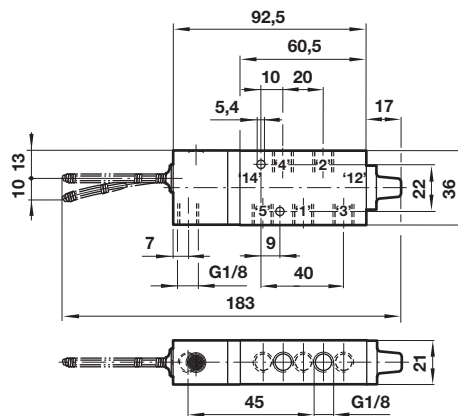
5/2 Sensitive roller lever actuated spring return valve



Pre-travel: 1 mm
 Over-travel: 3 mm
 Cam angle of approach: 45° maximum
 Cam speed: 6,5 m/min. maximum

22

5/2 Antenna actuated spring return valve



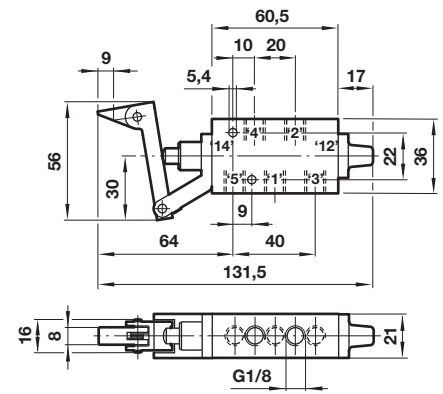
Operating movement: 10 mm minimum in any direction.

20

Dimensions in mm
 Projection/First angle



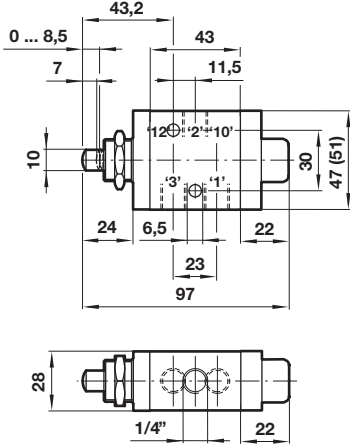
5/2 One-way trip actuated spring return valve



Cam rise: 9 mm
 Cam angle of approach: 90° maximum
 Cam speed: 2 m/min. maximum
 Operating speed: 120 cpm

23

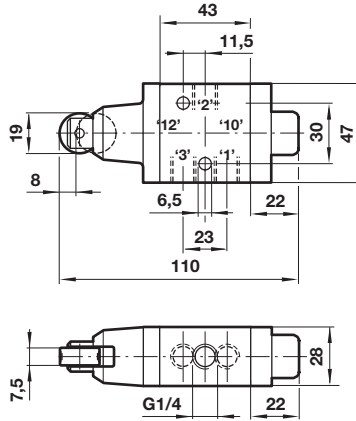
3/2 Plunger actuated spring return valve



Panel hole: \varnothing 21 mm
The plunger on this valve is designed for axial loading only.

24

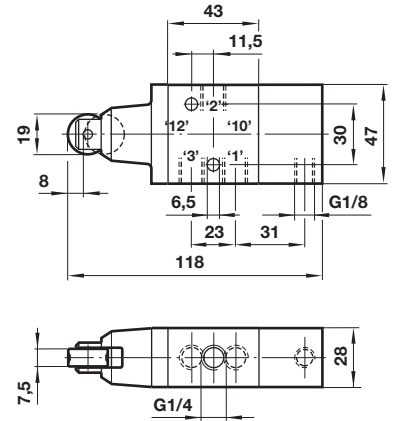
3/2 Roller actuated spring return valve



Cam angle of approach: 45° maximum
Cam speed: 6 m/min. maximum
Operating speed: 200 cpm

25

3/2 Roller actuated pilot return valve



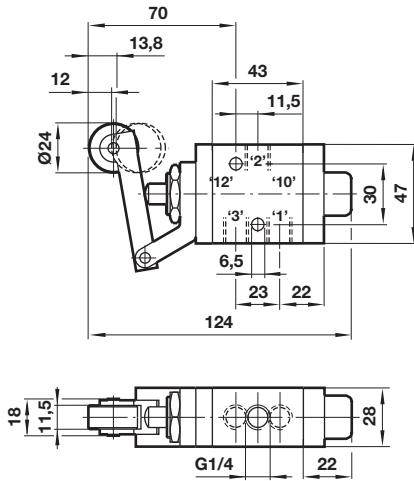
Cam angle of approach: 45° maximum
Cam speed: 6 m/min. maximum
Operating speed: 200 cpm

Dimensions in mm
Projection/First angle



26

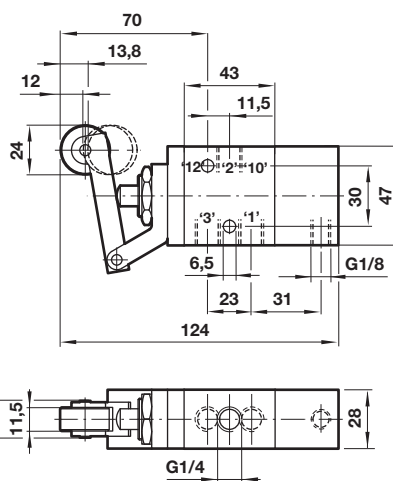
3/2 Roller lever actuated spring return valve



Cam angle of approach: 45° maximum
Cam speed: 5 m/min. maximum
Operating speed: 150 cpm

27

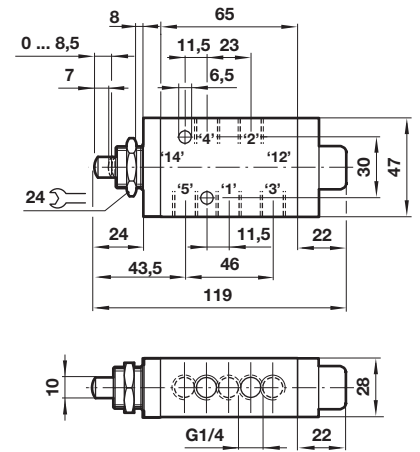
3/2 Roller lever actuated pilot return valve



Cam angle of approach: 45° maximum
Cam speed: 5 m/min. maximum
Operating speed: 150 cpm

28

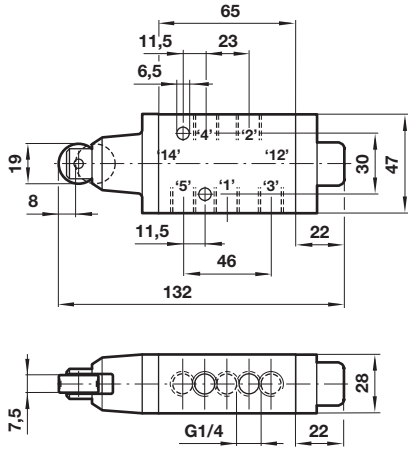
5/2 Plunger actuated spring return valve



Panel hole: \varnothing 21 mm
The plunger on this valve is designed for axial loading only.

29

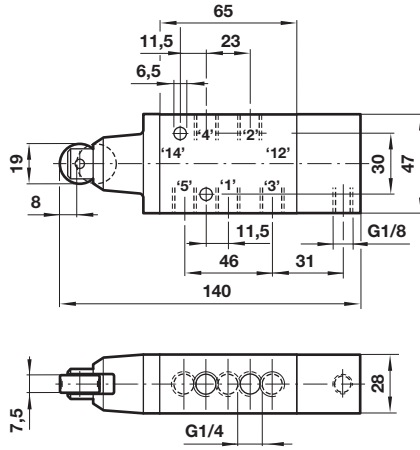
5/2 Roller actuated spring return valve



Cam angle of approach: 45° maximum
 Cam speed: 6 m/min. maximum
 Operating speed: 200 cpm

30

5/2 Roller actuated pilot return valve



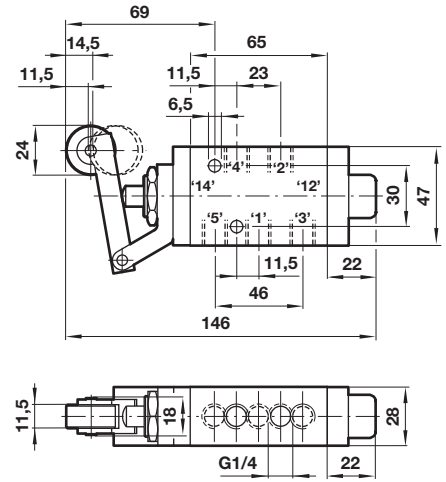
Cam angle of approach: 45° maximum
 Cam speed: 6 m/min. maximum
 Operating speed: 200 cpm

31

Dimensions in mm
 Projection/First angle



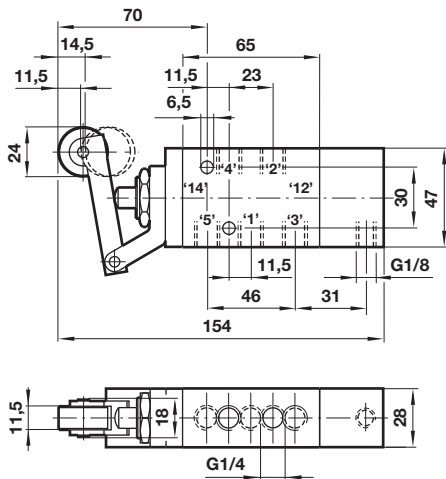
5/2 Roller lever actuated spring return valve



Cam angle of approach: 45° maximum
 Cam speed: 5 m/min. maximum
 Operating speed: 150 cpm

32

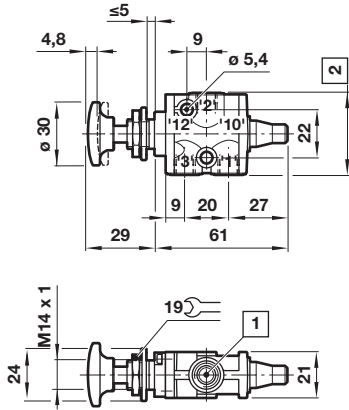
5/2 Roller lever actuated pilot return valve



Cam angle of approach: 45° maximum
 Cam speed: 5 m/min. maximum
 Operating speed: 150 cpm

33

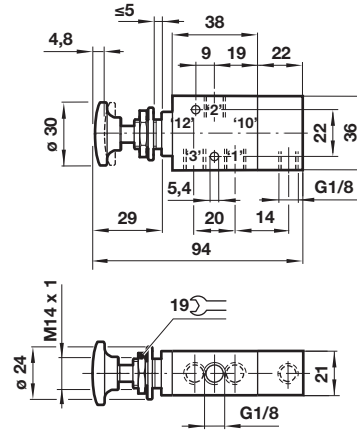
3/2 Button operated spring return valves



These valves are suitable for panel mounting by means of an optional nut and washer; a shrouded panel mounting kit is also available.

34

3/2 Button operated pilot return valve

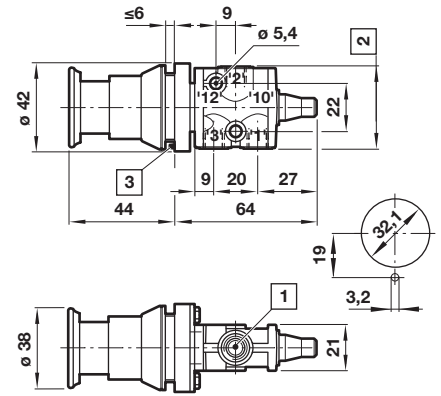


These valves are suitable for panel mounting by means of an optional nut and washer, a shrouded panel mounting kit is also available

35

3/2 Button (Palm) operated spring return valves

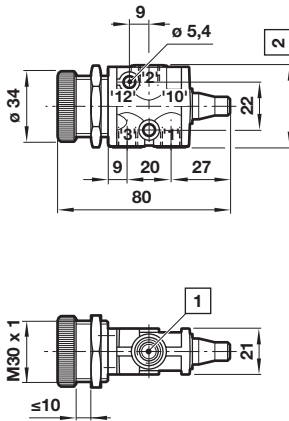
Dimensions in mm
Projection/First angle



These valves are suitable for panel mounting.

36

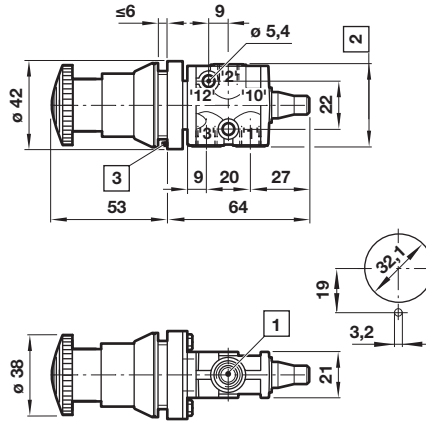
3/2 Button (Shrouded) operated spring return valves



These valves are suitable for panel mounting.

37

3/2 Button (Palm) operated, twist return valve (Emergency stop)

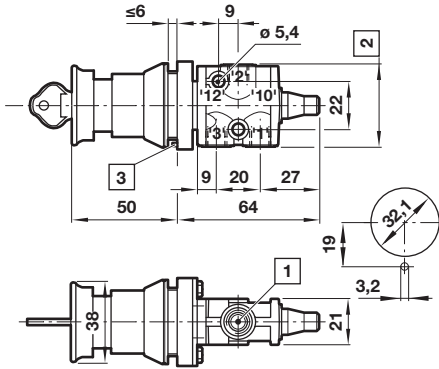


Valve latches when button is depressed and returns when the locking ring is rotated anti-clockwise.
This valve is suitable for panel mounting.

- 1 Port size G1/8 or ø 6 mm
- 2 37 mm for G1/8 and 45 mm for ø 6 mm

39

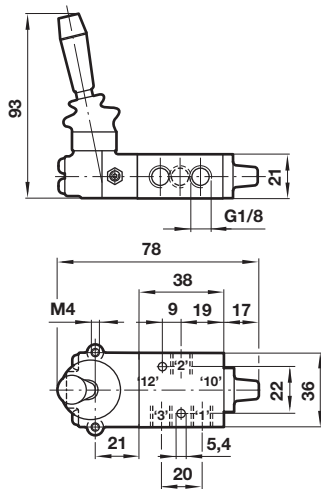
3/2 Button (Palm) operated key return valve



Valve latches when button is depressed. To reset, turn key. This valve is suitable for panel mounting.

42

3/2 Lever operated spring return valve

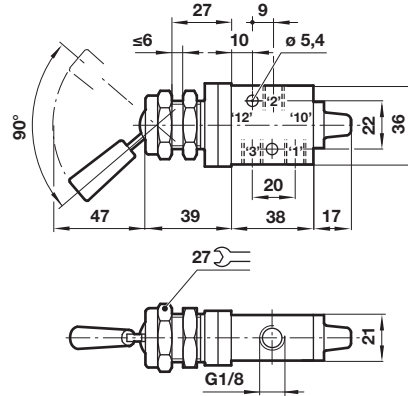


Model 03043702 features a positive detent in each position and is suitable for panel mounting by means of a bezel kit
Panel hole: Ø 24 mm
Panel thickness: 8 mm maximum

- 1 Port size G1/8 or ø 6 mm
- 2 37 mm for G1/8 and 45 mm for ø 6 mm

40

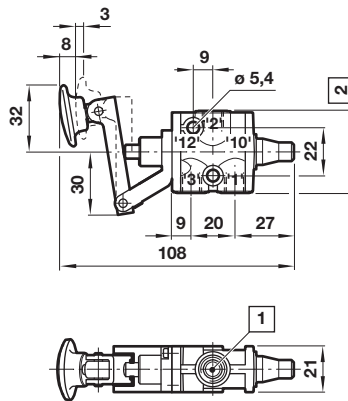
3/2 Toggle operated toggle return valve



Panel hole: Ø 22,5 mm
This valve is suitable for panel mounting.

43

3/2 Knob lever operated spring return valve



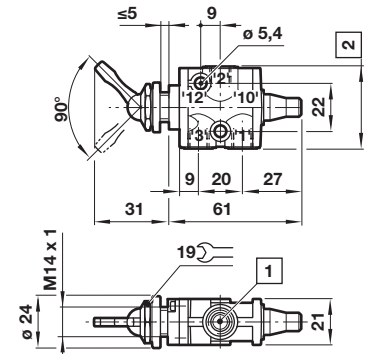
This valve is suitable for panel mounting.
Panel hole: Ø 24 mm
Panel thickness: 8 mm maximum

41

Dimensions in mm
Projection/First angle



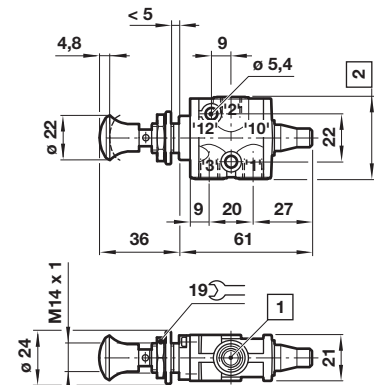
3/2 Toggle operated spring return valve



This valve is suitable for panel mounting. A fingertip extension is available for this valve

44

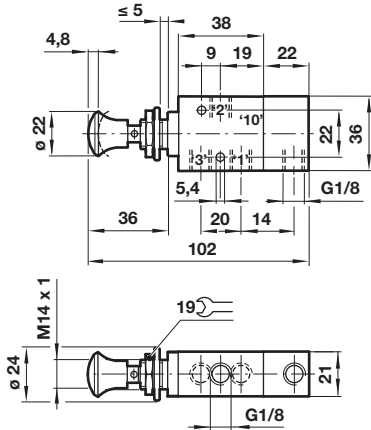
3/2 Knob operated spring return valve
3/2 Knob operated knob return valve



This valve is suitable for panel mounting by means of an optional nut and washer

45

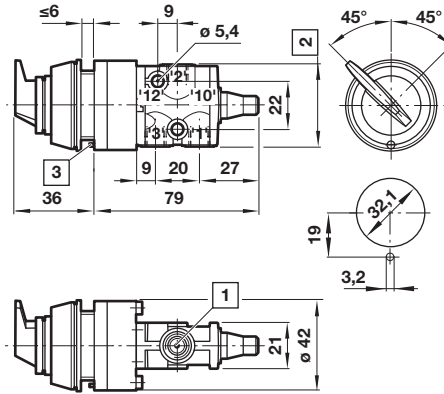
3/2 Knob operated, knob or pilot return valve



This valve is suitable for panel mounting by means of an optional nut and washer,

46

3/2 Rotary knob operated rotary knob return valve



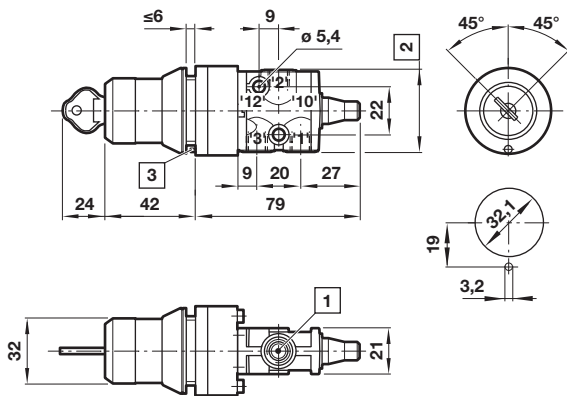
Switch shown in non-operated position. This valve is suitable for panel mounting.

Dimensions in mm
Projection/First angle



48

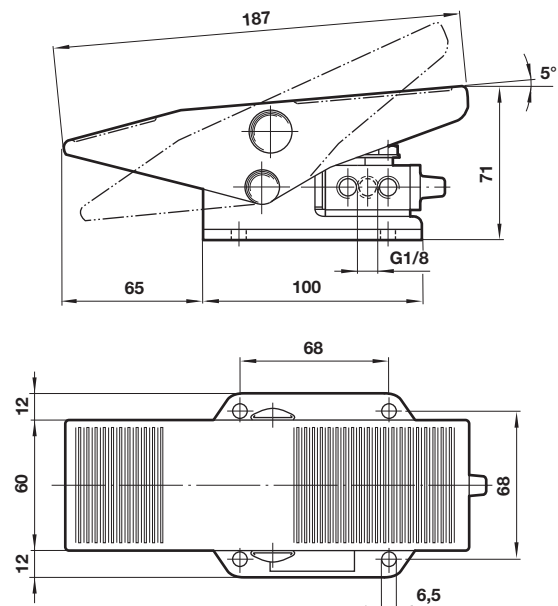
3/2 Key operated key return valve



The key is removable in both positions. Key slot shown in non-operated position. Two keys are supplied. This valve is suitable for panel mounting.

49

**3/2 Pedal operated spring return valve
3/2 Pedal operated pedal return valve**



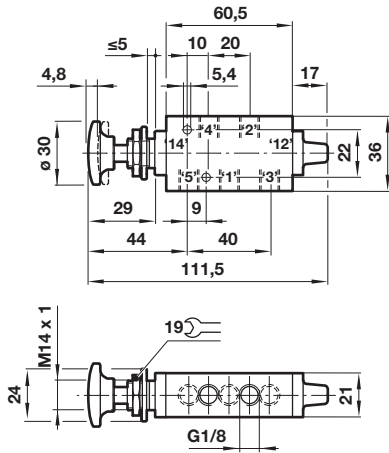
A foot guard is available for this valve

1 Port size G1/8 or 6 mm

2 37 mm for G1/8 and 45 mm for 6 mm

50

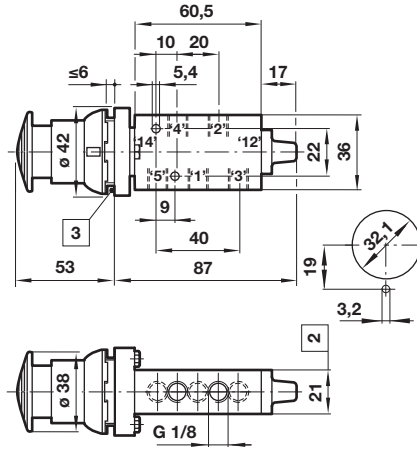
5/2 Button (Palm) operated spring return valves



Operating force: 54 N
These valves are suitable for panel mounting by means of an optional nut and washer,

51

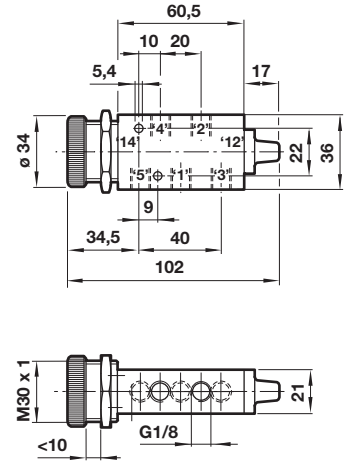
5/2 Button (Palm) operated spring return valves



These valves are suitable for panel mounting.

52

5/2 Button (Shrouded) operated spring return valves



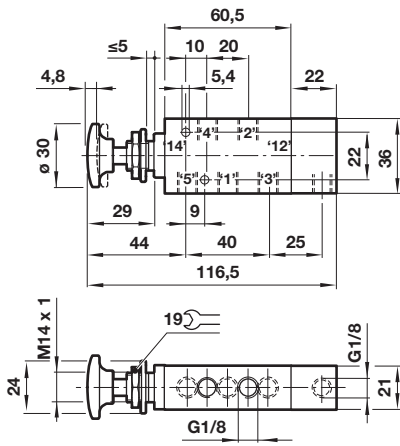
These valves are suitable for panel mounting.

Dimensions in mm
Projection/First angle



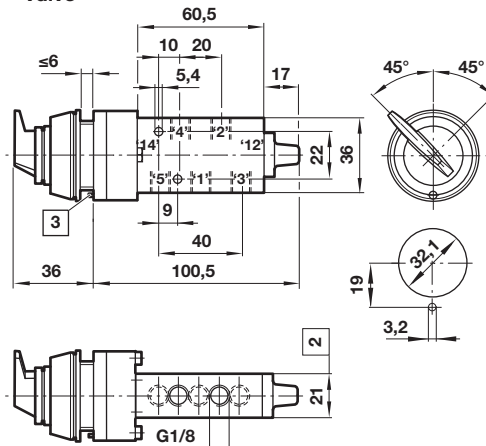
53

5/2 Button (Palm) operated pilot return valves



54

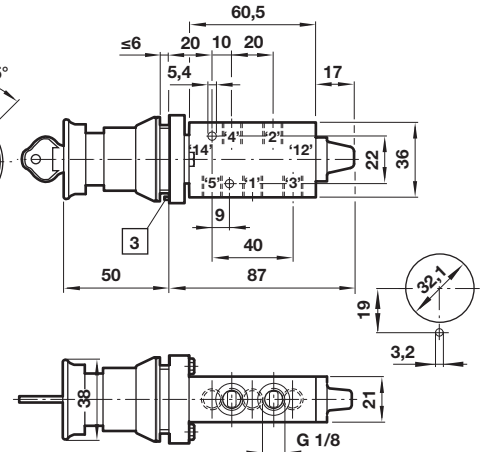
5/2 Rotary knob operated rotary knob return valve



Switch shown in non-operated position
This valve is suitable for panel mounting.

55

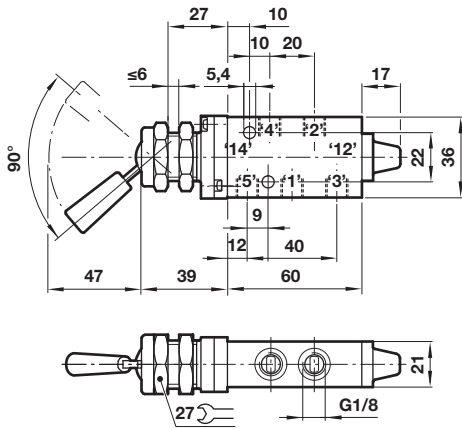
5/2 Button (Palm) operated key return valve



Valve latches when button is depressed.
To reset, turn key. This valve is suitable for panel mounting.

56

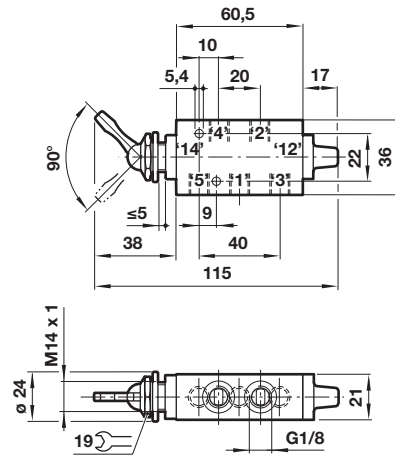
5/2 Toggle operated toggle return valve



Panel hole: \varnothing 22,5 mm
This valve is suitable for panel mounting.

57

5/2 Toggle operated spring return valve5

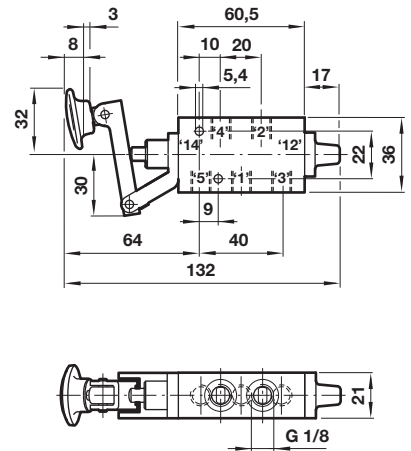


58

Dimensions in mm
Projection/First angle



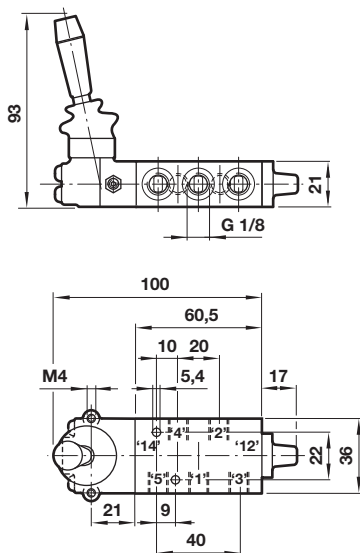
5/2 Lever operated spring return valve



This valve is suitable for panel mounting.
Panel hole: \varnothing 24 mm
Panel thickness: 8 mm maximum

59

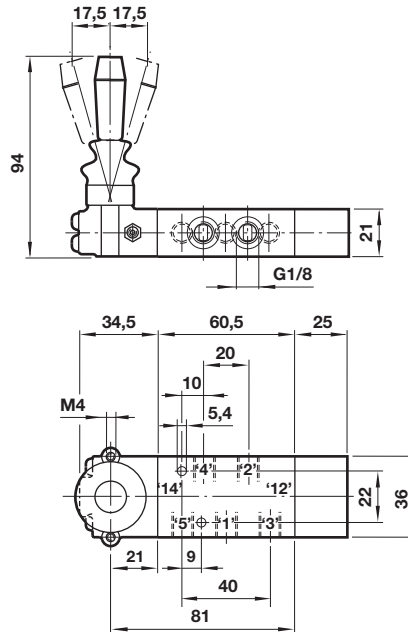
5/2 Lever operated valve



Both models are suitable for panel mounting by means of a bezel kit, reference 03 3437 64.
Panel hole: \varnothing 24 mm
Panel thickness: 8 mm maximum

60

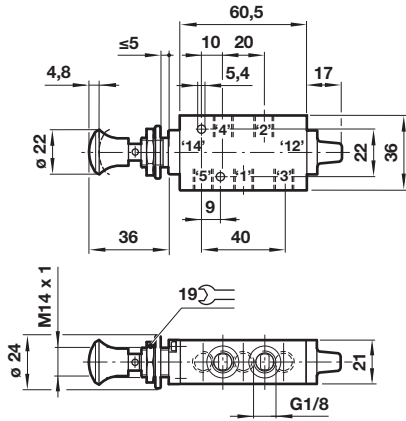
5/3 Lever operated valves



All models are suitable for panel mounting, by means of a bezel kit, reference 03 3437 64.
Panel hole: \varnothing 24 mm
Panel thickness: 8 mm maximum

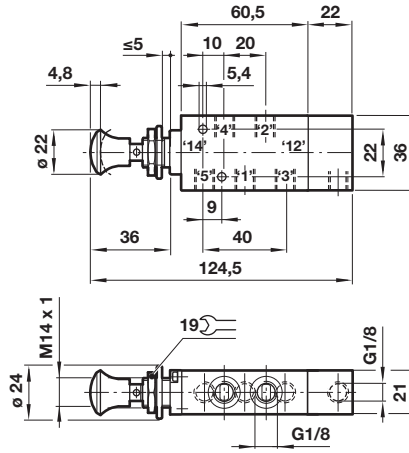
61

5/2 Knob operated knob return valve



62

5/2 Knob operated, knob or pilot return valve

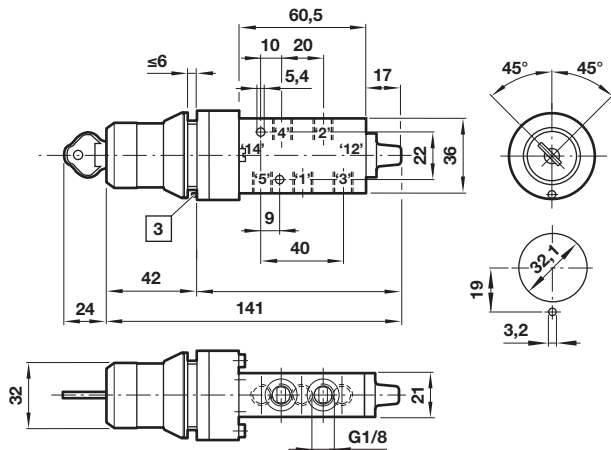


Dimensions in mm
Projection/First angle



64

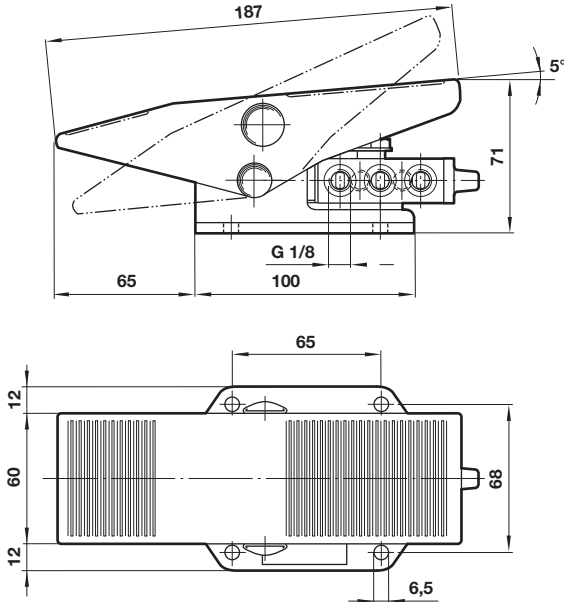
5/2 Key operated key return valve



The key is removable in both positions.
Key slot shown in non-operated position.
Two keys are supplied.
This valve is suitable for panel mounting.

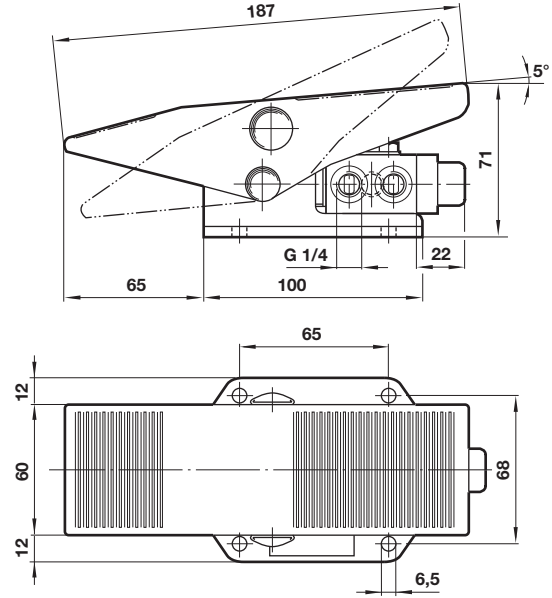
65

5/2 Pedal operated spring return valve
5/2 Pedal operated pedal return valve



66

3/2 Pedal operated spring return valve
3/2 Pedal operated pedal return valve

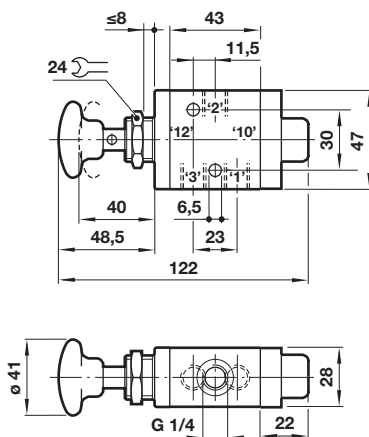


Dimensions in mm
Projection/First angle



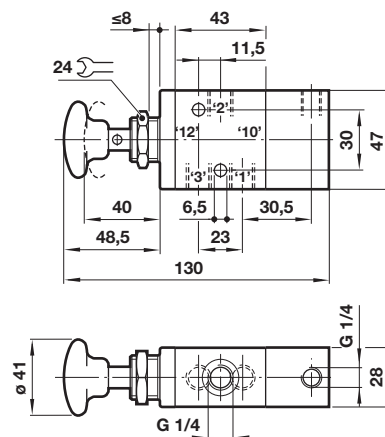
67

3/2 Button operated spring return valve



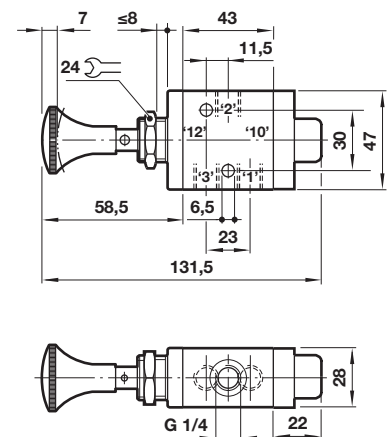
68

3/2 Button operated pilot return valve



69

3/2 Knob operated knob return valve



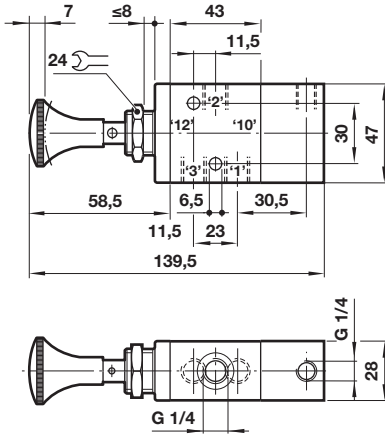
This valve is suitable for panel mounting and includes a nut and washer.
Panel hole: $\varnothing 21$ mm

This valve is suitable for panel mounting and includes a nut and washer.
Panel hole: $\varnothing 21$ mm

This valve is suitable for panel mounting and includes a nut and washer.
Panel hole: $\varnothing 21$ mm

70

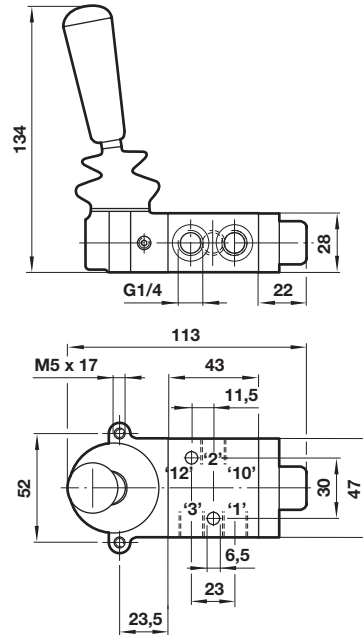
3/2 Knob operated, knob or pilot return valve



This valve is suitable for panel mounting and includes a nut and washer.
Panel hole: Ø 21 mm

71

3/2 Lever operated valve



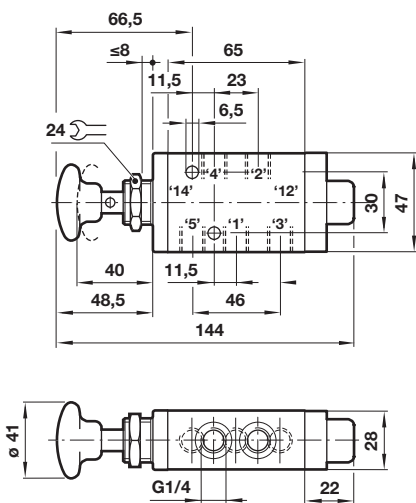
Model 03063702 features a positive detent in each position.
Both models are suitable for panel mounting by means of a bezel kit, reference 03363764.
Panel hole: Ø 31 mm
Panel thickness: 8 mm maximum

Dimensions in mm
Projection/First angle



72

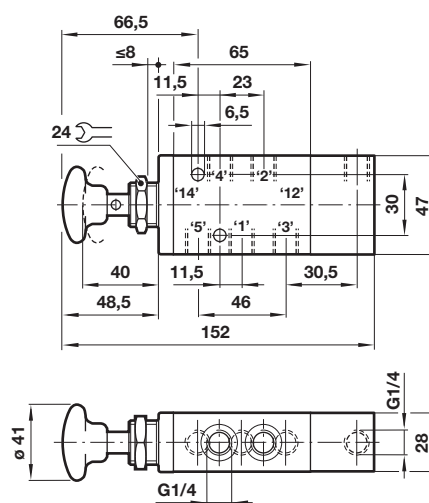
5/2 Button operated spring return valve



This valve is suitable for panel mounting and includes a nut and washer.
Panel hole: Ø 21 mm

73

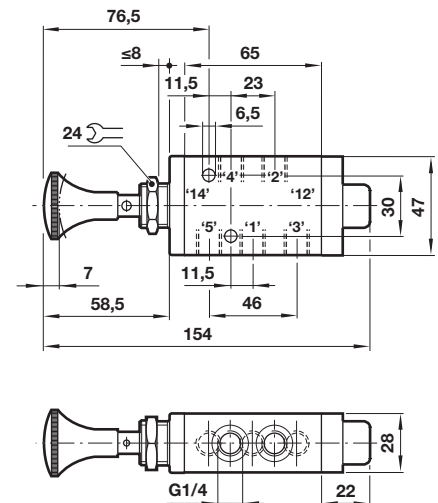
5/2 Button operated pilot return valve



This valve is suitable for panel mounting and includes a nut and washer.
Panel hole: Ø 21 mm

74

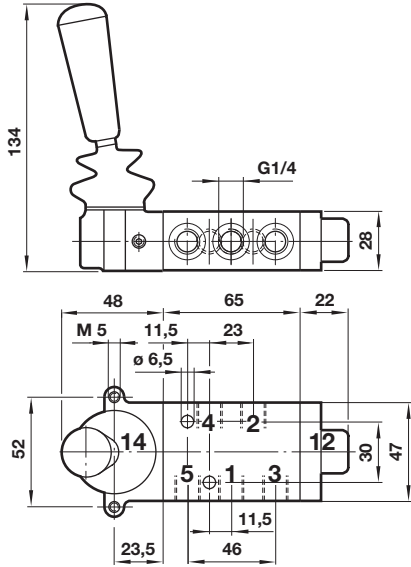
5/2 Knob operated knob return valve



This valve is suitable for panel mounting and includes a nut and washer.
Panel hole: Ø 21 mm

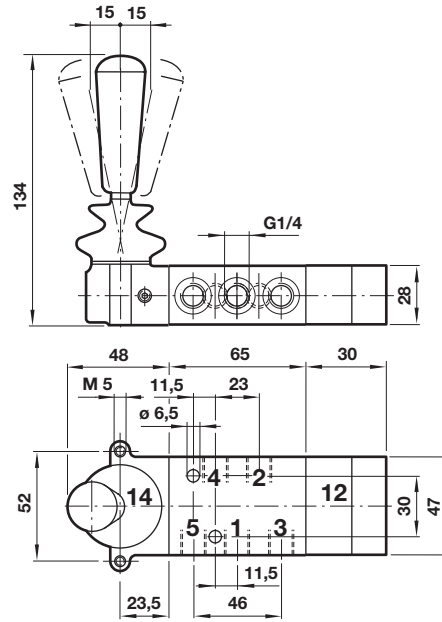
75

5/2 Lever operated valve



76

5/3 Three position lever operated valves



Dimensions in mm
Projection/First angle

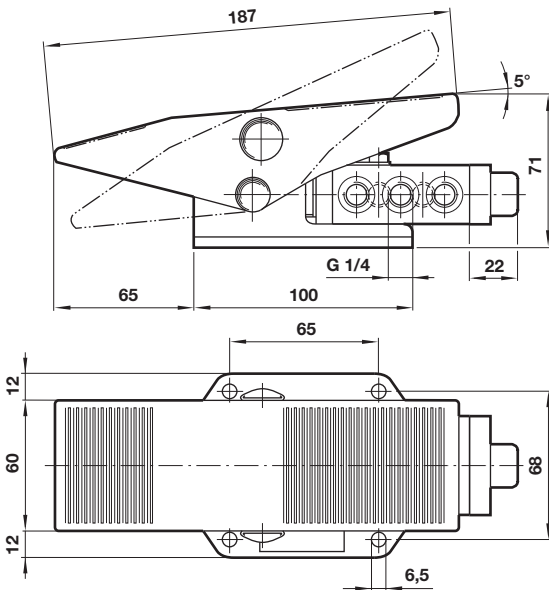


Model X3067702 features a positive detent in each position.
Both models are suitable for panel mounting by means of a bezel kit, reference O3363764.
Panel hole: \varnothing 31 mm
Panel thickness: 8 mm maximum

These valves are suitable for panel mounting by means of a bezel kit, reference O3363764.
Panel hole: \varnothing 31 mm
Panel thickness: 8 mm maximum

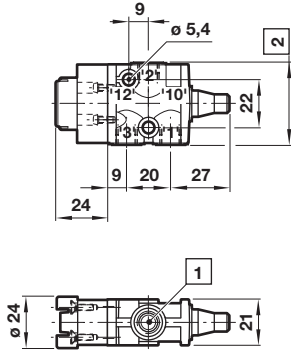
77

5/2 Pedal operated spring return valve
5/2 Pedal operated pedal return valve



78

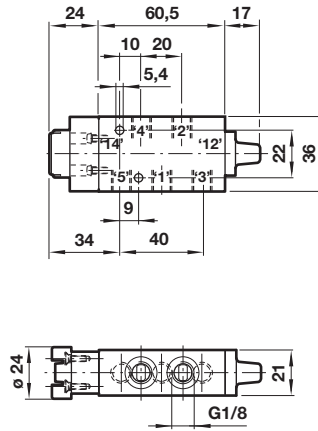
3/2 Adapter valve



This valve is for use with standard electrical style operating heads.
For details see below.

79

5/2 Adapter valve



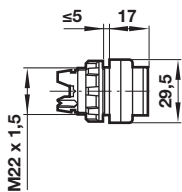
This valve is for use with standard electrical style operating heads.
For details see below.

Dimensions in mm
Projection/First angle

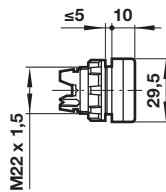


Operating heads for use with G1/8, 3/2 and 5/2 Adaptor valves
Panel hole: Ø 22,5 mm
Panel thickness: 6 mm maximum

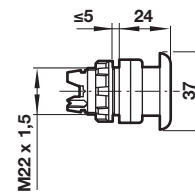
Button (palm) operated, spring return



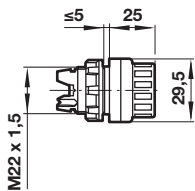
Button (shrouded) operated, spring return



Button (mushroom) operated, spring return



Rotary knob operated rotary knob return



Key operated key return

