



## Datasheet

### RS PRO Two-Part Enclosures For Wall Mounting

Stock number: 2006695

EN



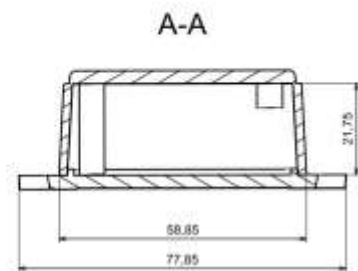
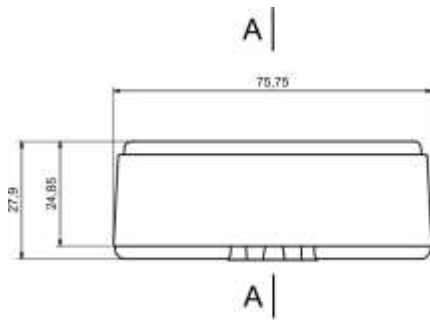
### Product Details

Two-part enclosure is made of light gray ABS. The enclosure provides IP54 it is ideal for applications that doesn't require hermetic seal, it can be mounted on walls and other surfaces using mounting ears.

### Features and Benefits

- Made of ABS
- Available in light gray color
- Protection against liquids and solid objects: IP54 rating
- Lugs for wall mounting

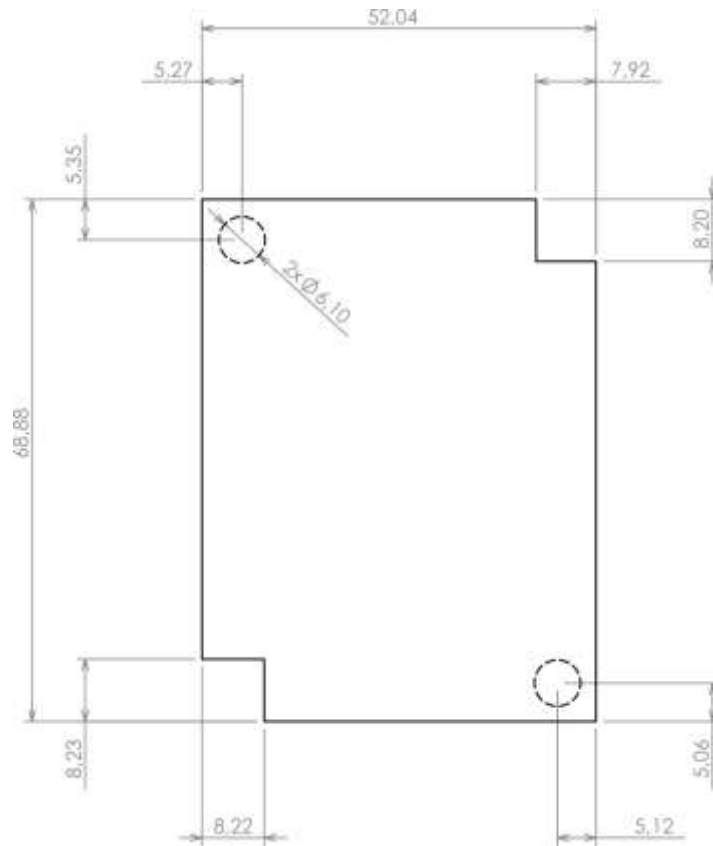
[rspro.com](http://rspro.com)



Category	Enclosures For Wall Mounting
Type	Full with lug (U)
Material	ABS
Variant	Without gasket
Height	27.9 mm
Width	58.8 mm
Length	75.9 mm
Color	Light gray
Protection level	IP54
Standards Met	RoHS Compliant
Accessories	Screw 3/13: 2.0 pcs
Certificate number	CE/032/18



## Max PCB size



Dashed line shows outline of the mounting boss under PCB board  
Recommended mounting holes diameter  $\varnothing 3,5$ mm