



## Characteristics

Motor Design	Reliable Alveolate Motor Construction
Insulation Resistance	500MΩ min. at 500V DC
Dielectric Strength	1,800V AC for one second
Motor Protection	Thermal protected and class B (II)
Noise level	Measured in a semi-anechoic chamber with background noise level below 15 dB(A). The fan is running in free air with the microphone at a distance of one meter from the fan intake.
Tolerance	±15% on rated power and current
Air Performance	Measured by a double chamber. The values are recorded when the fan speed has stabilized at rated voltage.

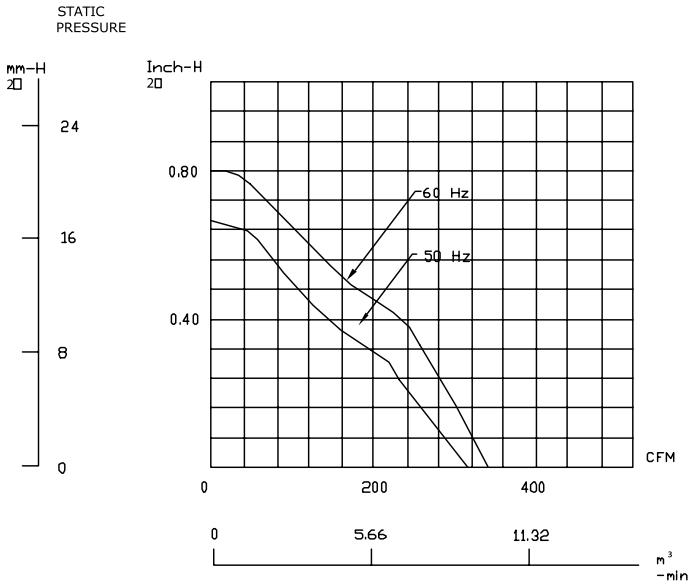
## Specifications

Rated Voltage	220-240V AC 50/60 Hz
Operating Voltage Range	150V AC to 250V AC
Starting Voltage	150V AC (25°C, Power On/Off)
Rated Speed	2,800 / 3,250 RPM ±10%
Air Delivery	315 / 335 CFM
Static Pressure	0.65 / 0.8 Inch - H <sub>2</sub> O
Rated Current	0.11 / 0.15 AMP
Rated Power	23 / 30 Watts
Noise Level	62 / 66 dB(A)
Direction of Rotation	Clockwise viewed from front of fan blade
Operating Temperature	-10°C to +70°C
Storage Temperature	-40°C to +70°C
Bearing System	Precision ball bearing system
Weight	1960g
Safety	UL/CUR/CE Approvals
Vibration	Vibration of acceleration 1.5G and frequency 5~50~5Hz is applied in all 3 directions (X, Y, Z) in cycles of 1 minute each, for a total vibration time of 30 minutes.

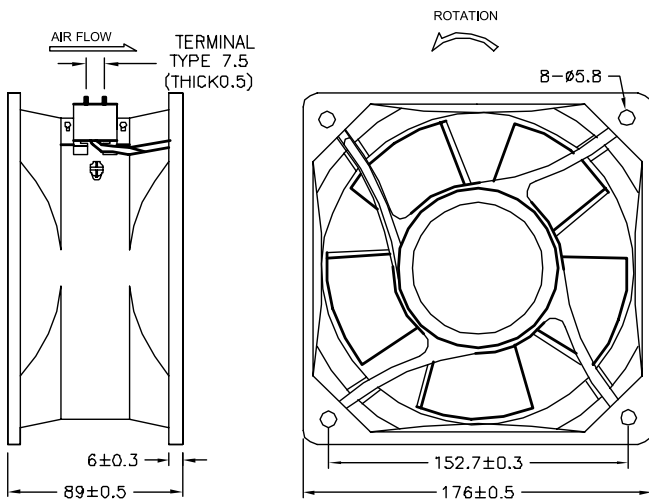
## Material

Frame	Die-Cast Aluminium
Impeller	PC of UL94V-0
Lead Wire	UL1007, 18AWG, Black

## Performance Curves



## Diagram



Dimensions : Millimetres

## Part Number Table

Description	Part Number
Axial AC Fan	MC25028

**Important Notice :** This data sheet and its contents (the "Information") belong to the members of the Premier Farnell group of companies (the "Group") or are licensed to it. No licence is granted for the use of it other than for information purposes in connection with the products to which it relates. No licence of any intellectual property rights is granted. The Information is subject to change without notice and replaces all data sheets previously supplied. The Information supplied is believed to be accurate but the Group assumes no responsibility for its accuracy or completeness, any error in or omission from it or for any use made of it. Users of this data sheet should check for themselves the Information and the suitability of the products for their purpose and not make any assumptions based on information included or omitted. Liability for loss or damage resulting from any reliance on the Information or use of it (including liability resulting from negligence or where the Group was aware of the possibility of such loss or damage arising) is excluded. This will not operate to limit or restrict the Group's liability for death or personal injury resulting from its negligence. Multicomp is the registered trademark of the Group. © Premier Farnell plc 2012.