



ENGLISH

## Datasheet

# DC Axial Fan, 120 x 120 x 38.5mm, 178m/h, 7W, 24 V dc (OD1238 Series)

RS Stock number [See below](#)

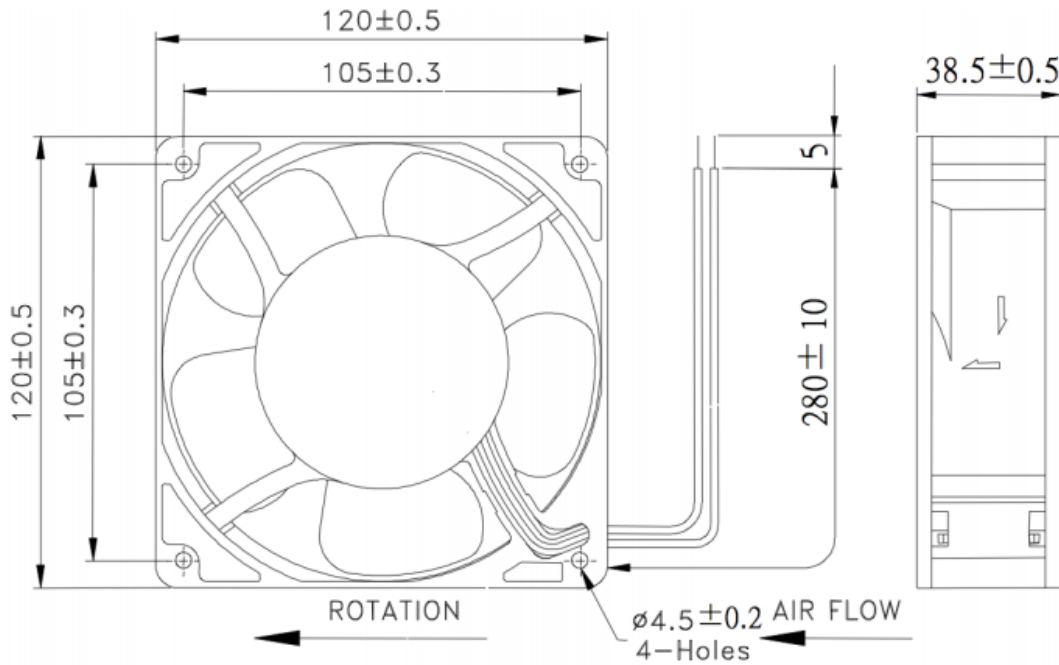


RS Part Number	Speed (RPM)	Airflow (CFM)	Noise (db)	Volts (DC)	Voltage Range	Current (Amps)	Lead Type
6196545	2800	104	43	12	7.0~13.6	0.50	Wire
6196551	2800	104	43	12	7.0~13.6	0.50	Wire
6196567	2800	104	43	24	10~26	0.32	Wire
6196573	2800	104	43	24	10~26	0.32	Wire
6196589	2800	104	43	24	10~26	0.32	Wire
6196602	2800	104	43	48	28~55	0.20	Wire

Data Tolerance +/-10%

RS Stock Number	Note
6196545	Tach Output, Open Collector
6196551	Tach Output, Open Collector, Environmentally Protective Coating
6196567	Tach Output, Open Collector
6196573	Tach Output, Open Collector, Environmentally Protective Coating
6196589	Tach Output, 5 VTTL, Environmentally Protective Coating
6196602	Tach Output, Open Collector

Drawing(mm):



**MOTOR**

Brushless DC, polarity protected, locked rotor protected (current limited), auto restart

**INSULATION RESISTANCE**

Min. 10 M Ohm at 500VDC

**LIFE EXPECTANCY (L10)**

Ball Bearing 60,000 Hours

**Operating Temperature**

-10C ~ +70C

**Safety Approvals**

UL/CUL, TUV, CE

**Frame and Impeller**

PBT, UL94V-0 Thermoplastic

**Available Options**

Tachometer

Locked Rotor Alarm

Finger Guard: 737-3986, 737-3995, 408-570

Plastic Guard: 737-4055

Wire Mesh Guard: 2508492542

Filter Kit: 737-4077, 737-4099