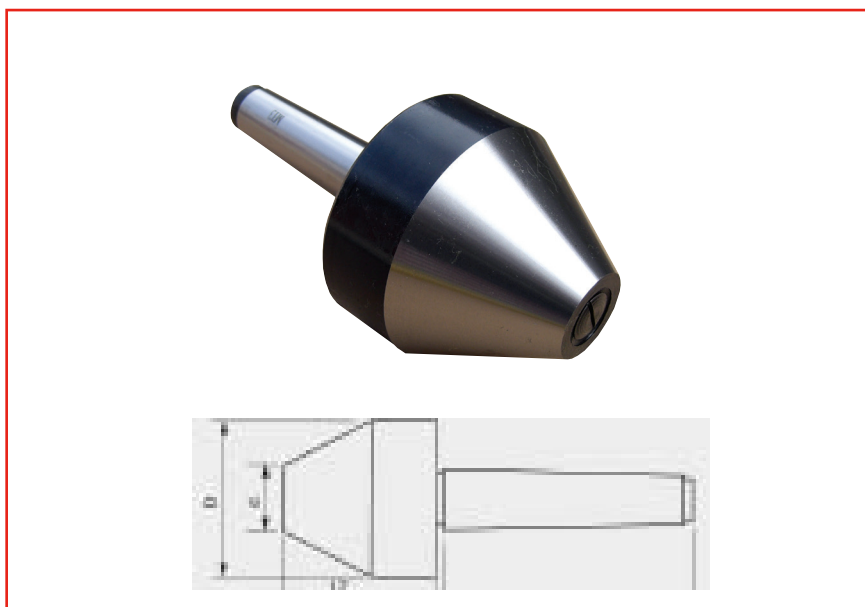


# Datasheet

## RS Pro Revolving Pipe Centre

RS Stock No: 463-7280



### Specifications:

Manufactured from high quality tool steel  
 Hardened and tempered  
 Precision ground externally  
 60° Point  
 Fully sealed bearings  
 Maximum run-out 0.008mm

Order Code	MT No.	d	D	L	L1	L2	Max Weigh Load	Speed Max
463-7280	MT 3	30	81.5	161	76.5	73	400kg	4500

Order Code	Manufacturers Code	Description
463-7280	RCP-03	Revolving Pipe Centre