



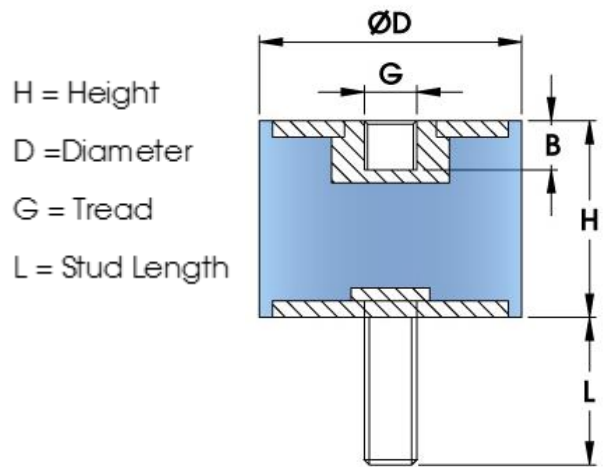
# ENGLISH

## Male/Female Cylindrical Bobbins

Cylindrical Bobbin mounts are simple and cost-effective vibration isolators that can be used in either compression and/or shear. Made from natural rubber and zinc plated mild steel.

### Applications:

- Static generator engines
- Compressors
- Motors



RS Part Number	Hardness (ShA)	D (mm)	H (mm)	G x L (mm)	Max Compression Load (kg)	Max Shear Load (kg)
1961339	60	6	7	M3X6	2.42	0.7
1961340	50	8	15	M3X6	2.6	0.9
1961341	70	9	12	M3X6	8.7	2.4
1961342	45	10	10	M4X10	2.75	1
1961343	60	10	12	M4X10	9.3	3.4
1961346	60	15	15	M5X12	14.6	5.2
1961347	55	15	30	M4X6	3.6	1.1
1961348	70	20	15	M6X12	41.2	13.5

1961349	60	20	15	M6X20	28	9.2
1961351	60	25	20	M6X20	42.3	14.4
1961352	60	25	30	M6X20	39.1	14.4