

Features

- Opto Isolation 4000VAC
- Zero Volt Switching or Random Switching
- TTL/CMOS Compatible (Sink mode)
- Integrated Snubber
- LED Status Indication
- Reverse Voltage Protection for DC/AC Types
- Output: NO/NC Configuration
- Terminals are polarised to prevent reverse connection
- Built in Safety Cover to Meet IP 20 Protection

RS PRO Direct Copper-Bonded, High Power Solid-State Relays

RS Stock No.: See table below



RS Professionally Approved Products bring to you professional quality parts across all product categories. Our product range has been tested by engineers and provides a comparable quality to the leading brands without paying a premium price.

Product Description

The direct copper-bonded, high-power panel mount relays are widely used in high power industrial switching applications such as control of heaters, motors, solenoid, lighting, and microcontroller-based systems. SSR switching is preferred due to high reliability and long life and in electrically harsh environment. 50 Amps, 75 Amps and 90 Amps and 125 Amp Ratings are offered for 480 and 600 volt applications.

General Specifications

Mounting	Panel Mount
Dimensions, mm	58mm x 46.7mm x 43.4mm
Weight	See table on page 4

Electrical Specifications

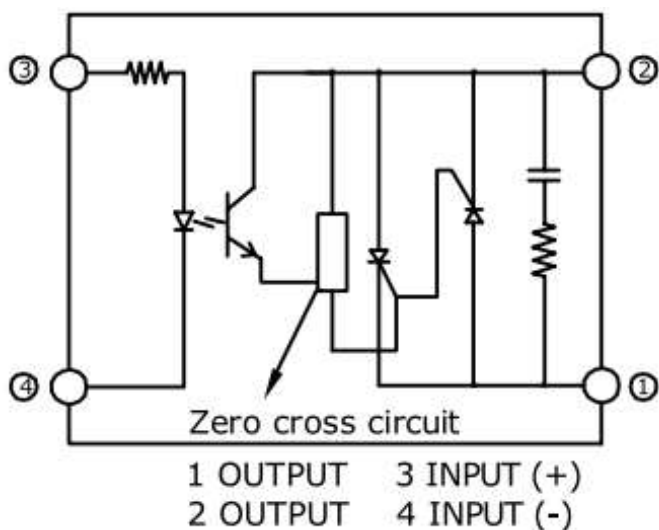
Control Voltage Range	See table on page 4
Control Current Range	See table on page 4
Pick-up Voltage	See table on page 4
Drop-out Voltage	See table on page 4
Input Resistance	See table on page 4
RMS on state Current	See table on page 4
Rep Peak Off state Voltage	800 Vac
Peak one cycle surge Current (Non-Rep)	See table on page 4
On state Voltage Drop	1.6Vac
Off state Leakage current	5mA
Zero T-On Voltage	25Vpk
Critical Rate of Rise Off state Voltage	See table on page 4
Holding Current	See table on page 4
Fuse Current	See table on page 4

Thermal Resistance	See table on page 4
Turn-On delay	10ms
Turn-Off delay	10ms
Frequency Range	47-63 Hz
Operating Temp	-30 ° to 80 ° OC

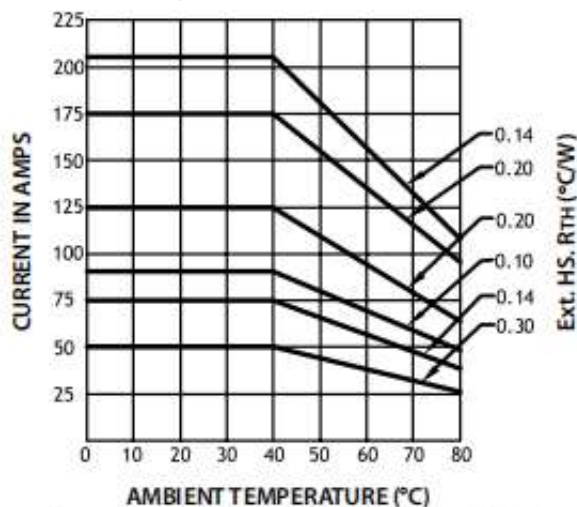
Approvals

Declarations	UL, CE, UKCA
Standards Met	IEC 62314 & IEC 62368-1

Schematic



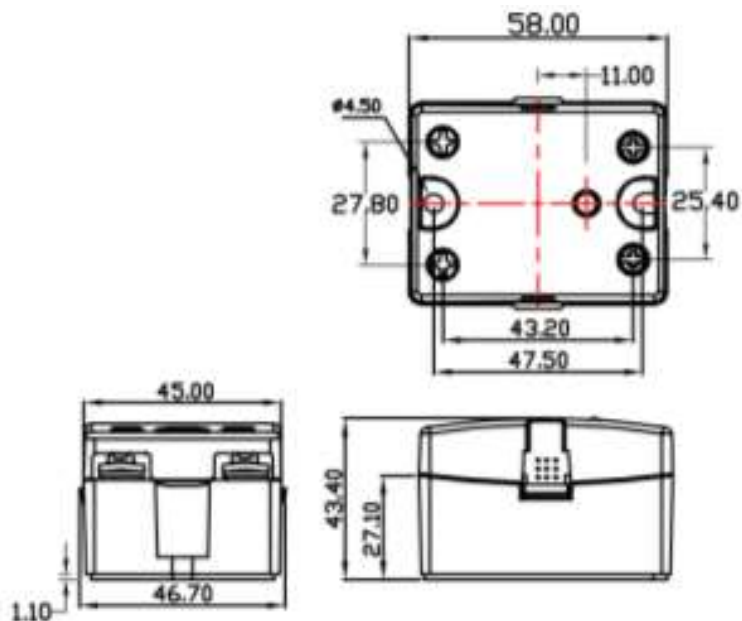
Derating Curve :



Derating curve for 50A, 75A, 90A, 125A, 175A & 205A
ABOVE 90A USE THE FORCE COOLING

Mechanical Drawing :

Weight : 140 grams



Similar Products

Stock No.	Brand	Product Description	RMS on-state current	Control Voltage range	Control Current range	Pick-up voltage	Drop-out voltage	Holding Current	Input Res K Ω	Peak one cycle surge Current (Non-Rep)	Critical Rate of Rise Off state Voltage	Fuse Current	Thermal Resistance
2537310	RS PRO	Solid State Relay, 480Vac (Zero-volt Switching)	75 Amp	4-32Vdc	8-35mA	4 Vdc	1Vdc	300mA	Current Regulator	1150ITSM	1000V/ μ s	5000A ² s	0.6°C/W
2537311	RS PRO	Solid State Relay, 480Vac (Zero-volt Switching)	90 Amp	4-32Vdc	8-35mA	4 Vdc	1Vdc	300mA	Current Regulator	1350ITSM	1000V/ μ s	5000A ² s	0.3°C/W
2537315	RS PRO	Solid State Relay, 600Vac (Random Switching)	90 Amp	4-32Vdc	8-30mA	4 Vdc	1 Vdc	100mA	1.3K Ω	870ITSM	1000V/ μ s	3780A ² s	0.8°C/W
2537312	RS PRO	Solid State Relay, 600Vac (Zero-volt Switching)	90 Amp	4-32Vdc	8-30mA	4 Vdc	1 Vdc	100mA	1.3K Ω	870ITSM	1000V/ μ s	3780A ² s	0.8°C/W
2537316	RS PRO	Solid State Relay, 600Vac (Random Switching)	50 Amp	4-32Vdc	8-30mA	4 Vdc	1 Vdc	150mA	1.3K Ω	520ITSM	1000V/ μ s	1350A ² s	1.0°C/W
2537313	RS PRO	Solid State Relay, 600Vac (Zero-volt Switching)	50 Amp	4-32Vdc	8-30mA	4 Vdc	1 Vdc	150mA	1.3K Ω	520ITSM	1000V/ μ s	1350A ² s	1.0°C/W
2537317	RS PRO	Solid State Relay, 600Vac (Random Switching))	75 Amp	4-32Vdc	8-30mA	4 Vdc	1 Vdc	200mA	1.3K Ω	750ITSM	1000V/ μ s	2812A ² s	0.6°C/W
2537314	RS PRO	Solid State Relay, 600Vac (Zero-volt Switching)	75 Amp	4-32Vdc	8-30mA	4 Vdc	1 Vdc	200mA	1.3K Ω	750ITSM	1000V/ μ s	2812A ² s	0.6°C/W