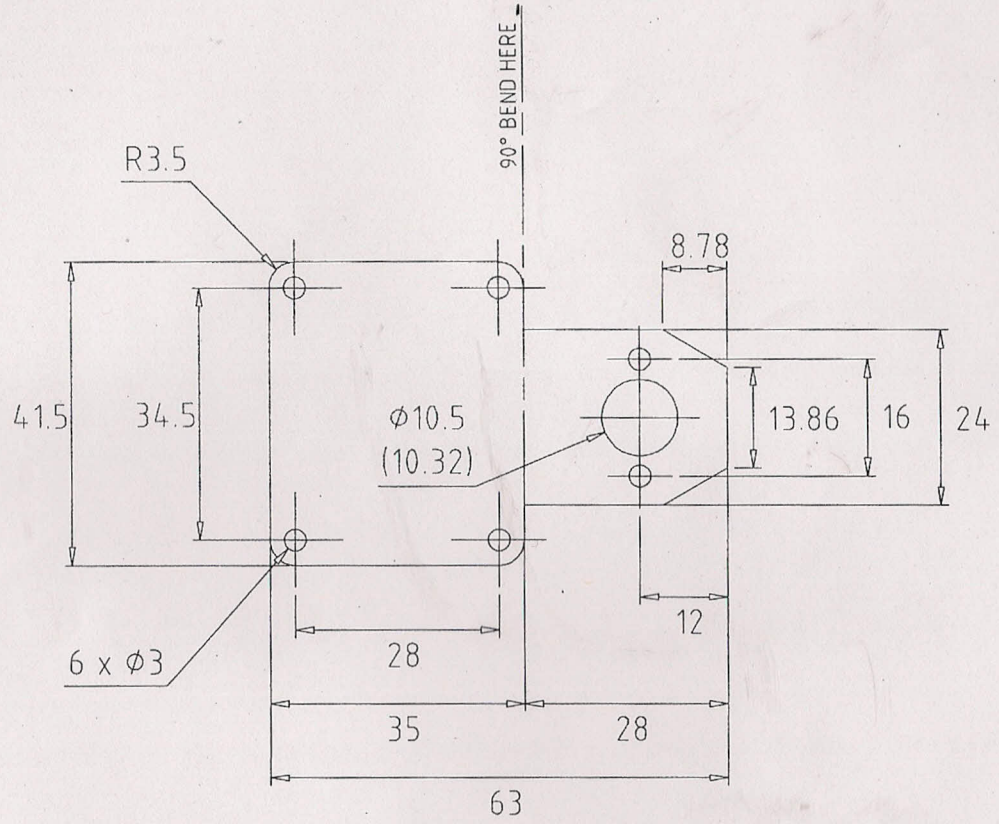


DRG.No.



ISSUE	DESCRIPTION	APPD	DATE
1	1mm MILD STEEL, BRIGHT ZINC & COLOURLESS		
2	PASSIVATE (HEXAVALANT FREE)		
3	TOLERANCES: ± 0.2 UNLESS SHOWN		

MFA/Como Drills
 Felderland Lane, Worth, Deal, Kent
 CT14 0BT
 Tel: 01304 612132
 Fax: 01304 614696
 E-mail: info@mfacomo.com
 Web: www.mfacomodrills.com

TITLE
 360/380
 MOTOR MOUNT

REVISION	DETAILS			BY	DATE
DRAWN IB	TRACED	CHECKED	APPROVED		DATE 01/02/2011
DRAWING No. 873					