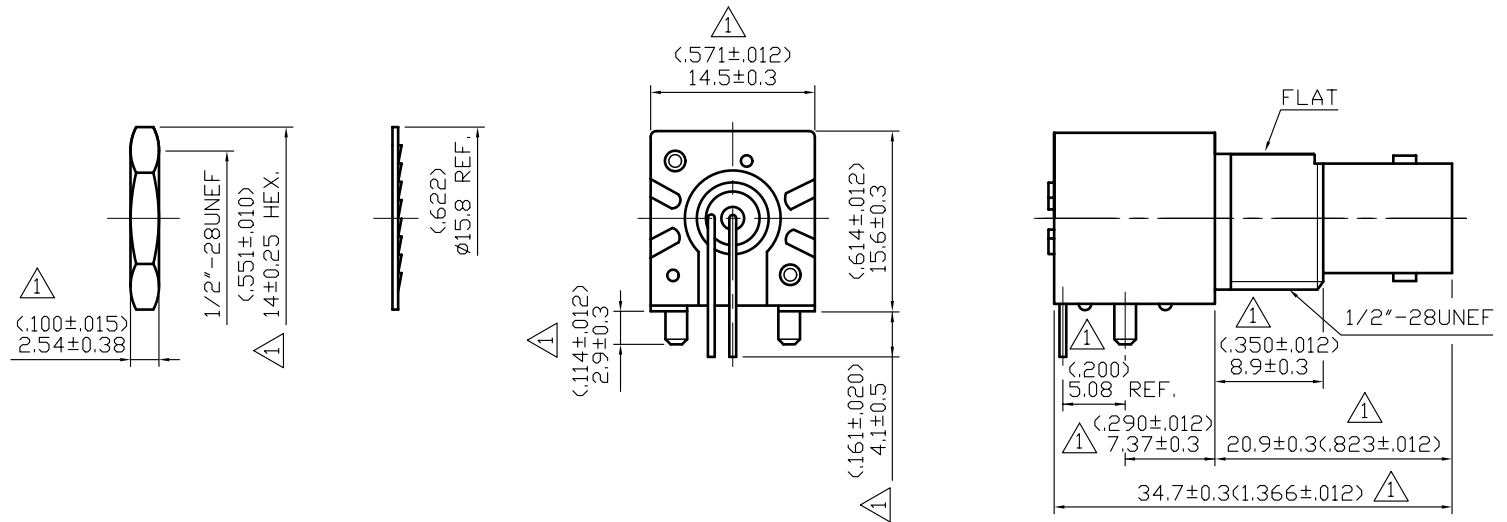


NO	DESCRIPTION	DATE
①	2.5 → 2.54±0.38	04.17.09'
	14.0 HEX. → 14±0.25 HEX.	
	3.2±0.38 → 2.9±0.3	
	14.5 REF. → 14.5±0.3	
	4±0.38 → 4.1±0.5	
	20.8 REF. → 20.9±0.3	
	34.8 REF. → 34.7±0.3	
	7.37±0.38 → 7.37±0.3	
	8.6 REF. → 8.9±0.3	
	Ø2X2 → Ø2.00X2	
	Ø0.9X2 → Ø0.90X2	
	DEL 8.6 REF. ; ADD 5.08 REF.	
	12.0 REF. → 11.7	
	Ø12.9 REF. → Ø12.83	
	0-4 GHz → 0-1 GHz	
DEL CONTACT RESISTANCE		
-55° C TO +85° C		
→ -40° C TO +60° C		
DEL SALT SPRAY; HUMIDITY		
MIL-STD-1344,METHOD 1001,COND.B.		
→ MIL-STD-202,METHOD 107,COND.B.		
MIL-STD-1344,METHOD 2004,COND.G.		
→ MIL-STD-202,METHOD 204,COND.B.		
BODY → HOUSING		
MODIFICATION MATERIAL		



SPECIFICATIONS:

MECHANICAL CHARACTERISTICS:

MATING/UNMATING--500 CYCLES

ELECTRICAL CHARACTERISTICS:

NORMAL IMPEDANCE-- 50 OHMS

FREQUENCY RANGE-- 0-1 GHz ①

TESTING VOLTAGE-- 500 VOLTS RMS

DIELECTRIC WITHSTANDING VOLTAGE-- 1500 VOLTS RMS

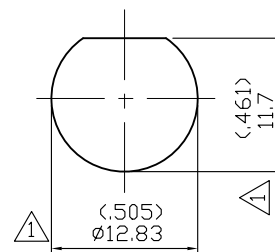
INSULATION RESISTANCE-- 5000 MEGOHMS MIN.

ENVIRONMENTAL CHARACTERISTICS:

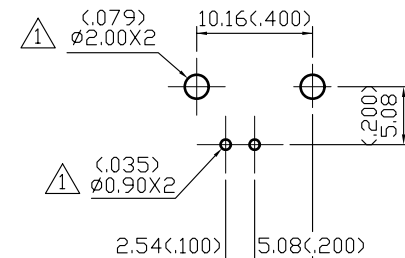
TEMPERATURE RANGE-- -40° C TO +60° C ①

THERMAL SHOCK-- MIL-STD-202,METHOD 107,COND.B. ①

PHYSICAL SHOCK-- MIL-STD-202,METHOD 204,COND.B. ①



MOUNTING HOLE



RECOMMEND PCB LAYOUT

8	LOCK WASHER	S50C	1	NICKEL	①
7	NUT	BRASS	1	NICKEL	①
6	CENTER CONTACT	PHOSPHOR BRONZE WITH GOLD PLATING AT CONTACT AREA TIN PLATING AT TAIL	1	GOLD TIN	①
5	INSULATION	POLYPROPYLENE UL 94HB	1	NONE	①
4	SOLDER PIN	COPPER WIRE	1	TIN	①
3	BODY	ZINC ALLOY	1	NICKEL	①
2	HOUSING	PBT+30% G.F (UL 94 V-0)	1	NONE	①
1	MOUNTING POST	BRASS	2	TIN	①
NO	DESCRIPTION	MATERIAL	Q'TY	FINISH	

APPROVED

by _____

DATE: _____



DESCRIPTION		BNC RIGHT ANGLE PCB MOUNT JACK RECEPTACLE (VALOX HOUSING)							
製圖	DRAWN	TOLERANCE	品名	13-60-2	D.G.Z	日期	DATE	版次	REV.
	CHECK	.XX ±0.2	TITLE	\ROHS COMPLIANT (50Ω)		03.21.94'		B-1	
檢圖	CHECK	.XX ±0.1	單位	DWG.NO. 13-0270					
	APPROVAL	.XXX ±0.05	單位	mm(in)					
認定	APPROVAL	ANGLE ±5°	比例	SCALE		RS 5265864			