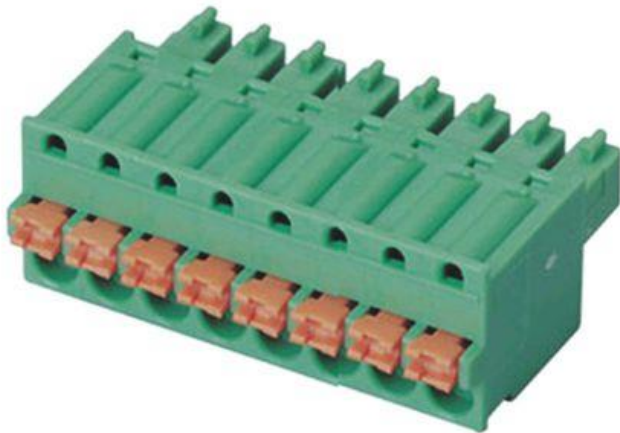


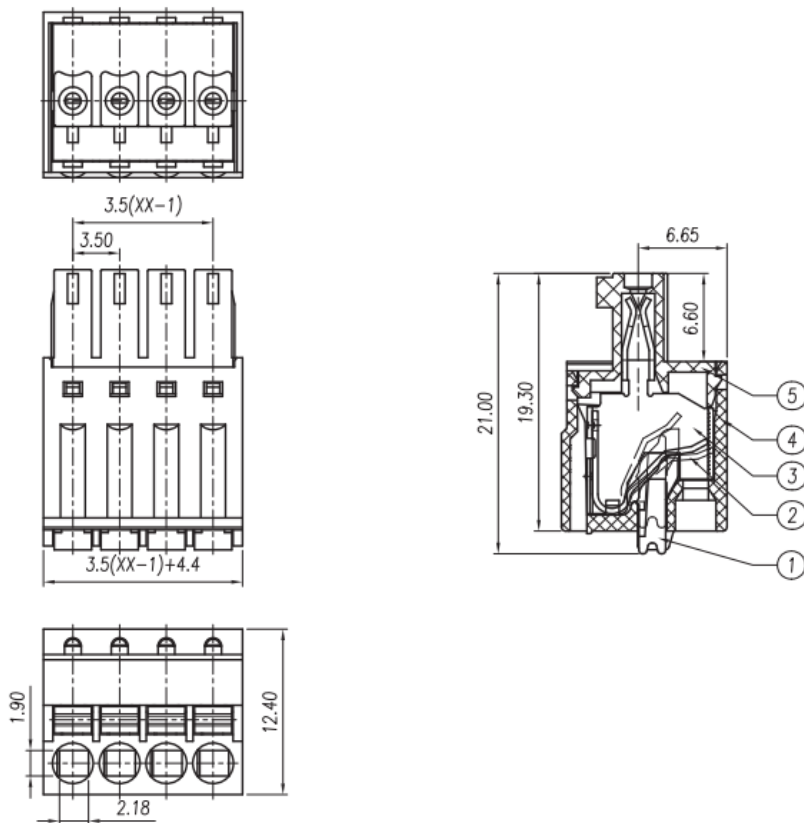
Datasheet

New 3.5mm Plug 8A 8 Way

RS Stock 874-5120



Dimensions: (mm)





Specifications

Electrical

Standard	UL	IEC
Rated voltage	300V	250V
Rated current	8A	10A
Contact resistance	20mΩ	
Insulation resistance	500MΩ/DC500V	
Wire range	28~16AWG	1mm ²
Wrth standing voltage	AC 2000V/1 Min	

Mechanical

Torque	0.4Nm(3.6Lb.in)
Steip Length	7-8mm

Dimensions

Pitch	3.5mm
Poles	2~24p

Material

Housing	PA66, UL94V-0
Clamp	Phosphor bronze,Ni plated
Wire guard	Stainless steel

variable range	linear dimension(Tolerances Standard GB/T 14486-2008)											≡	—	□	//	⊥
	to 6	over 6 to 10	over 10 to 18	over 18 to 30	over 30 to 50	over 50 to 80	over 80 to 120	over 120 to 160	over 160 to 200	over 200 to 250	over 250 to	all	to 5	over 5 to 30	over 30 to 120	over 120 to
tolerance	±0.1	±0.14	±0.19	±0.25	±0.32	±0.43	±0.57	±0.72	±0.88	±1.05	±1.25	0.5	0.025	0.06	0.12	0.4