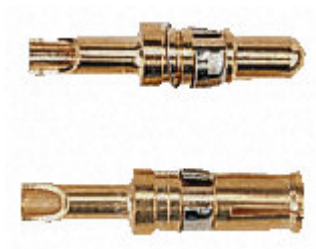


## Professionally approved products. Datasheet

# Female Solder D-Sub Connector Power Contact

RS Stock number 251-526

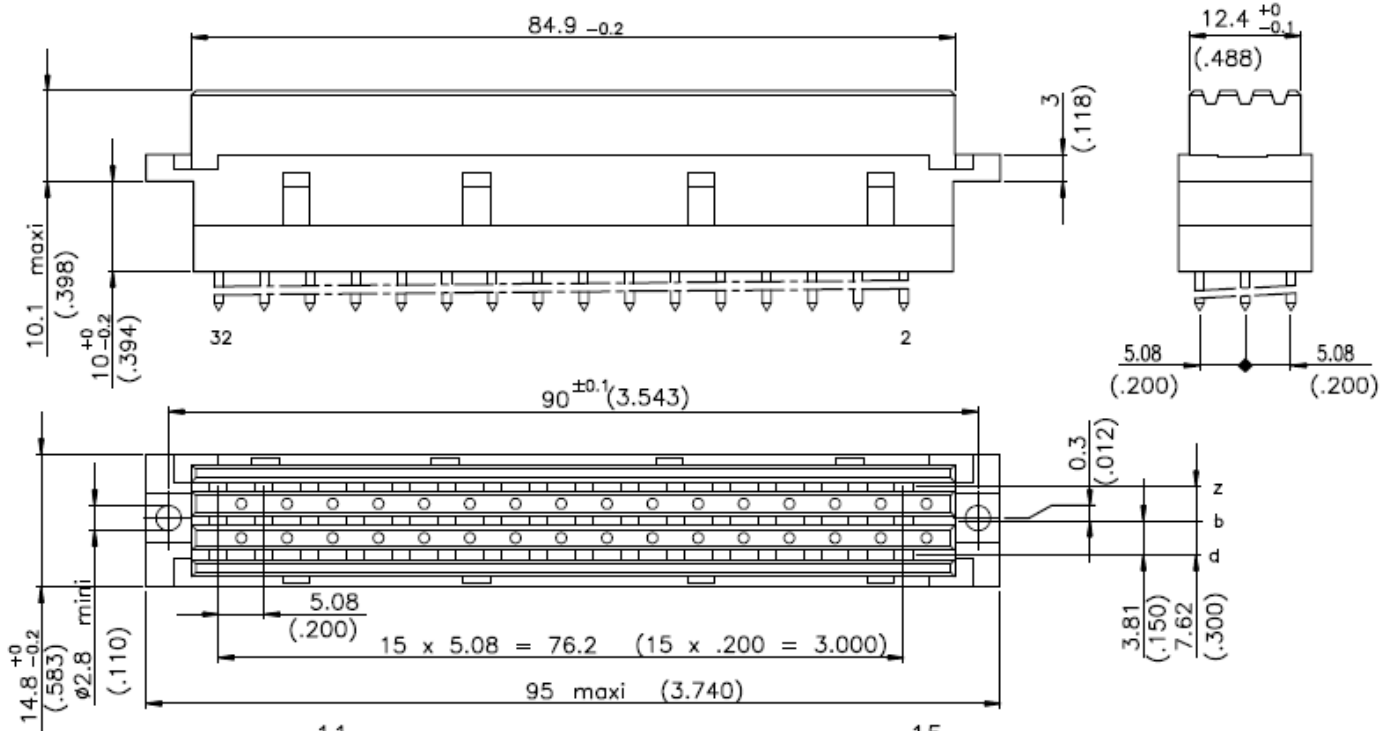


### Specifications:

-Current at AMB.		5.5 A at 20° / 4 A at 70°
-Contact resistance		≤15mΩ according to DIN 41640 Teil 4 test 2a
-Insulation resistance		≥10 <sup>6</sup> MΩ according to DIN 41640 teil 7 test 3a
-TEST VOLTAGE		according to DIN 41640 teil 21
contact/contact		1550V eff
contact/ground		2500V eff
-Insertion force		≤75N
-Mechanical endurance	-class 1	500 matings unmatings according to DIN41640 teil 21
	-class 2	400 matings unmatings according to DIN41640 teil 21
-Material insulator		Polyester UL94V0
-Material contacts		Copper alloy
-Finishing contact surface		Gold over nickel Lead Free
-Finishing termination		Lead-Free
-Schock		≤30mΩ according to DIN 41640 Teil 14 test 6c
-Vibration	-class 1	10-2000Hz/20g according to DIN 41640 Teil 15
	-class 2	10-500Hz/5g according to DIN 41640 Teil 15

# Professionally approved products. Datasheet

## DIMENSIONS mm (inches)



## TERMINATION

