

Datasheet

Rack Case, 4U

RS Stock number 179-055

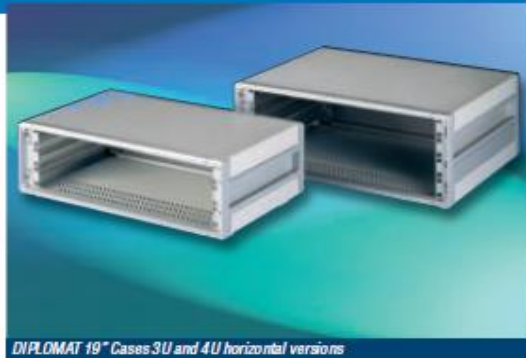
DIPLOMAT Cases 3U and 4U horizontal versions

HORIZONTAL CASES WITH OR WITHOUT PLINTH

The standard horizontal DIPLOMAT cases are available in four heights, two widths and four depths, and are supplied ready assembled.

Contents of kit

Description	Qty	Material/Finish
Top cover	1	0.9mm Zintec coated steel
Bottom cover (or plinth)	1	0.9mm Zintec coated steel
Handle extrusion	2	Aluminium alloy extrusion
Side extrusions (4U only)	4	Aluminium alloy extrusion
Bezels	2	Aluminium alloy castings
Feet (2 tilting)	4	ABS plastic
Finish		Textured electrostatic epoxy paint
Colour: Top/bottom covers, plinths		Light grey BS4800-00A01
Front and rear bezels, side handles and 4U side extrusions		Mid grey BS4800-00A05



DIPLOMAT 19" Cases 3U and 4U horizontal versions

Order separately

Description	Page
Transparent doors and heavy duty carry handle	10
Front panels and front bezel trims	11
Rear panels, cable tidy and fan accessories	12
Rear bump down feet and rear bezel trims	13
Earth continuity kits, chassis supports and chassis trays	14

STANDARD 19" CASES – Supplied assembled

Ordering Information

Height (mm)	Width	Ext depth	Max int depth	Dimensions			Order code
				A	B	C	
3U (161,85)	19"	322	277	450	134,85	17	760-236562
		422	377	450	134,85	17	760-236563
		522	477	450	134,85	17	760-236564
4U (206,30)	19"	322	277	450	179,30	17	760-236565
		422	377	450	179,30	17	760-236566
		522	477	450	179,30	17	760-236567

19" VENTILATION PLINTH DIPLOMATS – Supplied assembled

(with air filtration built in as standard)

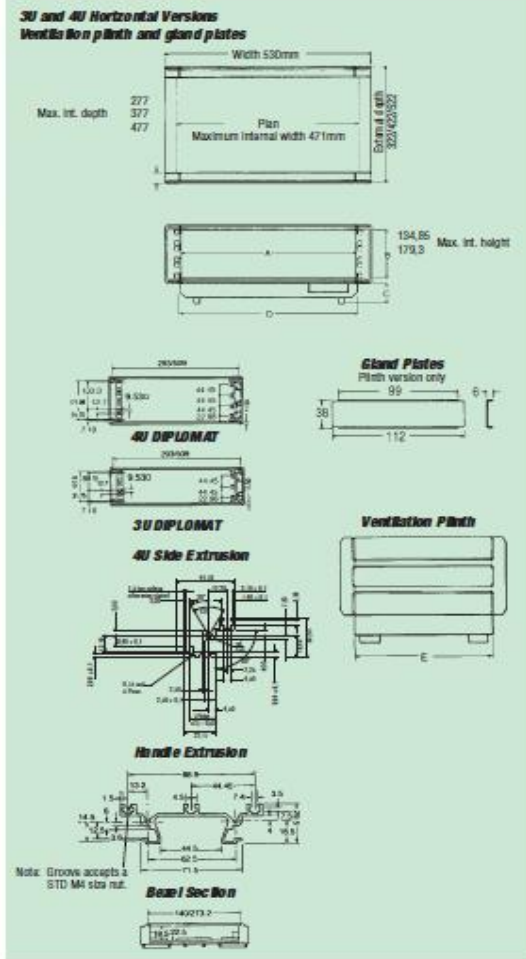
Ordering Information

Height (mm)	Width	Ext depth	Max int depth	Dimensions					Order code
				A	B	C	D	E	
3U (161,85)	19"	322	277	450	134,85	39,5	506,4	287	760-236579
		422	377	450	134,85	39,5	506,4	387	760-236580
		522	477	450	134,85	39,5	506,4	487	760-236581
4U (206,30)	19"	322	277	450	179,30	39,5	506,4	287	760-236582
		422	377	450	179,30	39,5	506,4	387	760-236583
		522	477	450	179,30	39,5	506,4	487	760-236584

10 1/2" HALF WIDTH CASES

Ordering Information

Height (mm)	Width	Ext depth	Max int depth	Dimensions			Order code
				A	B	C	
3U (161,85)	10,5"	322	277	234	134,85	17	760-236575
		422	377	234	134,85	17	760-236576
4U (206,30)	10,5"	322	277	234	179,30	17	760-236577
		422	377	234	179,30	17	760-236578



DIPLOMAT Cases 3U and 4U vertical versions

The vertical DIPLOMAT cases offer a stylish packaging solution for office based computer systems located either on or under the operators desk. For desk cases rubber inserts are provided to prevent the unit slipping on the desk surface.

Contents of kit

Description	Qty	Material/Finish
Handle	1	Aluminium alloy extrusion
Vertical feet assemblies	2	ABS plastic/aluminium extrusion
Ventilated side covers	2	0.9mm Zintec coated steel
Handle extrusions	2	Aluminium alloy extrusion
Side extrusions (4U)	4	Aluminium alloy extrusion
Handle infill	1	0.9mm Zintec coated steel
Bezels	2	Aluminium alloy castings
Finish		Textured electrostatic epoxy paint
Colour: Side covers		Light grey BS4800-00A01
Front and rear bezels,		Mid grey BS4800-00A05
side handles and extrusions, infills and feet		

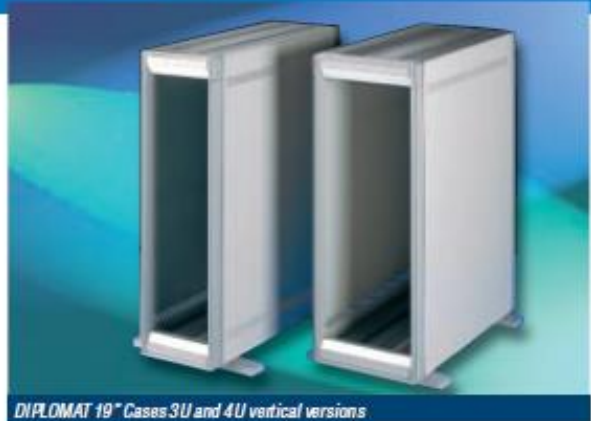
Order separately

Description	Page
Transparent doors and heavy duty carry handle	10
Front panels and front bezel trims	11
Rear panels, cable tidy and fan accessories	12
Rear bump down feet and rear bezel trims	13
Earth continuity kits, chassis supports and chassis trays	14

VERTICAL 19" CASES – Supplied assembled

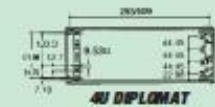
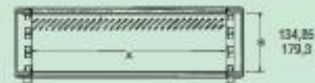
Ordering Information

Height (mm)	Width depth	Dimensions		A	B	Order code
		Ext depth	Max int			
3U (161,85)	19"	422	377	450	134,85	760-236635
		522	477	450	134,85	760-236636
4U (206,30)	19"	422	377	450	179,30	760-236637
		522	477	450	179,30	760-236638



DIPLOMAT 19" Cases 3U and 4U vertical versions

3U and 4U Vertical Cases



4U DIPLOMAT

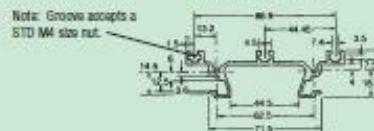


3U DIPLOMAT

4U Side Extrusion



Handle Extrusion



Bezel Section

