

RoHS
Compliant



Specification

Rated Voltage	: 12V DC
Operating Voltage	: 4.5V DC to 13.8V DC
Starting Voltage	: 4.5V DC (Power On/Off at 25°C)
Rated Current (AVG.)	: 0.1 / MAX. 0.115 A
Rated Power (AVG.)	: 1.2 / MAX. 1.38 W
Safety Power Consumption	: 1.38W
Rated Speed	: 6500 RPM \pm 15% IN Free Air at Rated Voltage
Airflow at Zero Static Pressure	: Nominal 12.4 / MIN. 10.6 CFM
Static Pressure at Zero Airflow	: Nominal 0.18 / MIN. 0.15 inch-H ₂ O
Acoustical Noise (AVG.)	: Nominal 32.5 / MAX. 36.4 dB(A)
Insulation Type	: UL Class A
Insulation Resistance	: 10M Ω MIN. AT 500V DC Between Frame And (+) Terminal
Dielectric Strength	: 5mA MAX. AT AC 500V AC 50/60 Hz one Minute Between Frame and (+) Terminal
Life Expectancy	: 60,000 Hours at 40°C with 15~65% RH.
Direction Of Rotation	: Counter-Clockwise From Blade Side

Mechanical

Bearing System	: Vapo Bearing System
Materials of Frame	: Thermoplastic PBT of UL 94V-0
Materials of Fan Blade	: Thermoplastic PBT of UL 94V-0
Weight	: 16 Grams

Environmental

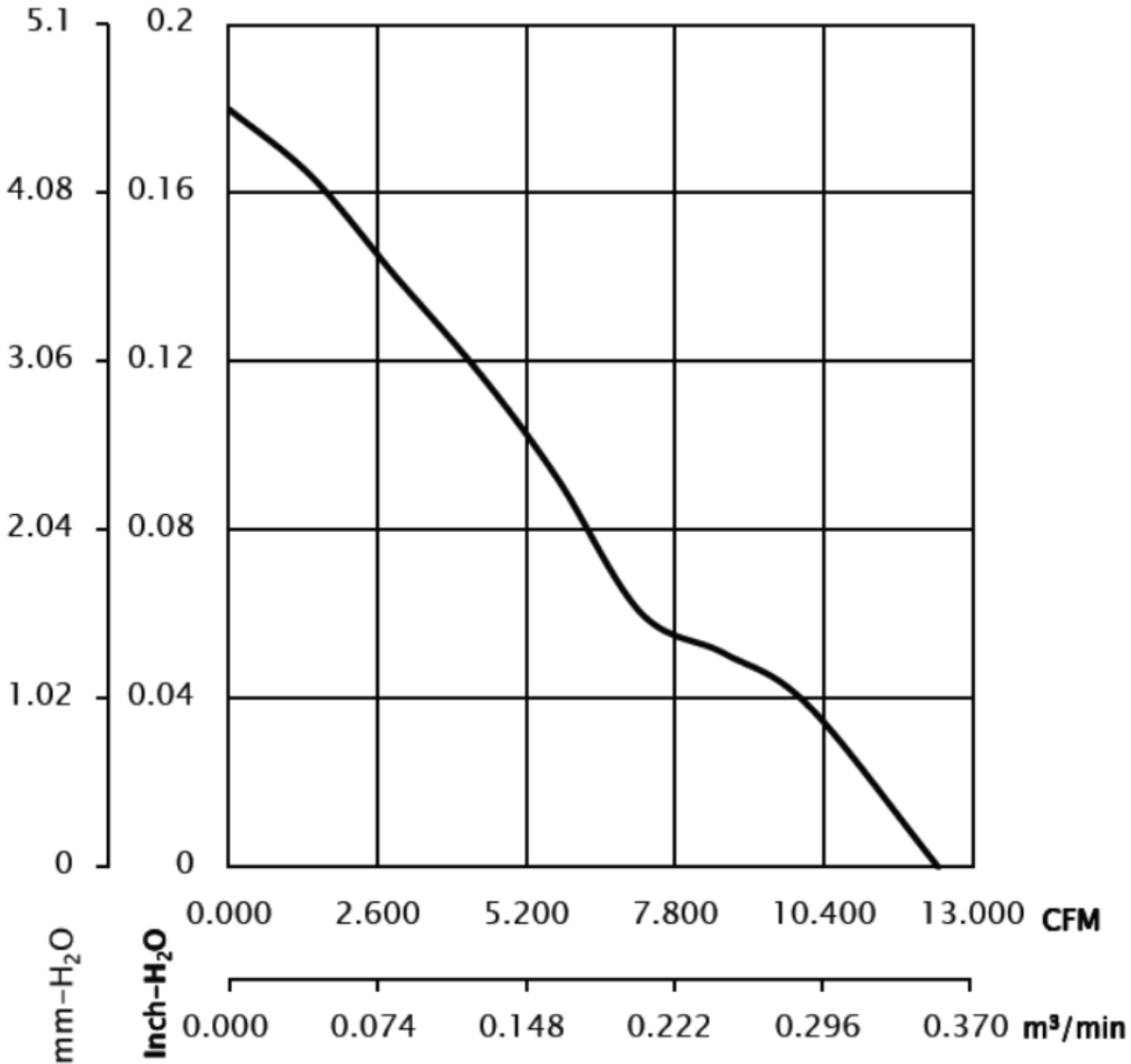
Operating Temperature Range	: -10°C to +70°C
Storage Temperature Range	: -40°C to +70°C
Operating Humidity Range	: 5 to 90% RH
Storage Humidity Range	: 5 to 95% RH

Protection

- Automatic Restart
- Polarity Protection

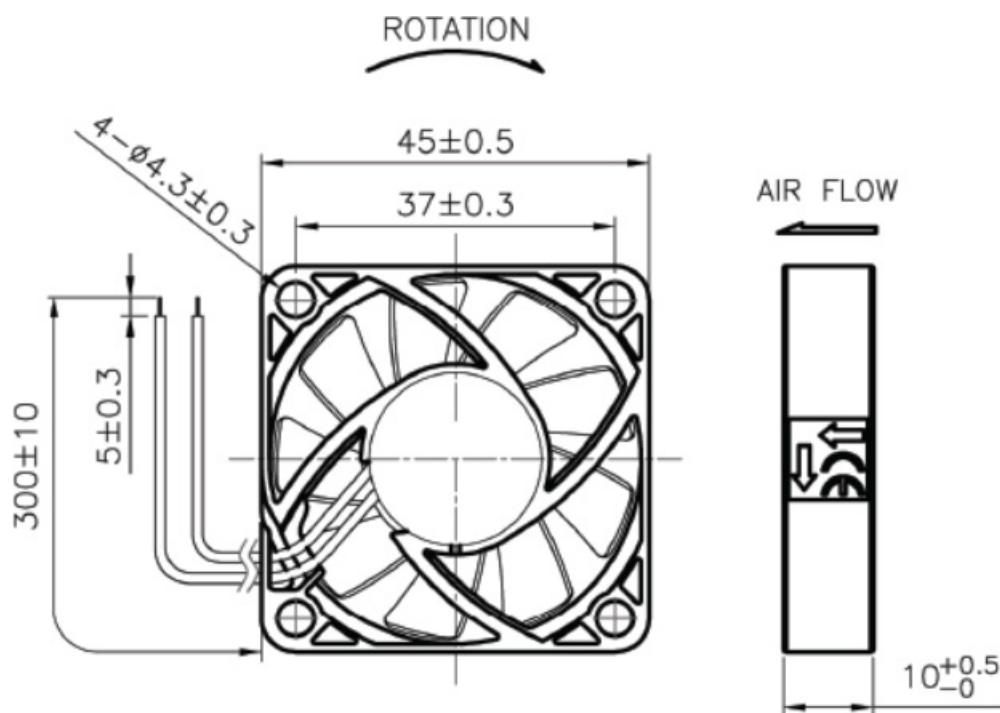
Note: The Motor will shut down when rotor was locked, then auto restart within 10 seconds.

Air Flow & Static Pressure Curve



Dimensions

Screw Type (Pan Head)	Torque	Screw Spec.	
		Size	Standard
Machine Screw	3~4 kgf-cm	M4	JIS B1111-1974
Self-Tapping Screw	<7 kgf-cm	Ø5	JIS B1122 Type 2



Note

1. Lead UL1007#26AWG
 Red Wire-----(+)
 Black Wire-----(-)
2. Frame Type: RIB

Dimensions : Millimetres

Part Number Table

Description	Part Number
DC Axial Fan, 45mm × 10mm, 12V DC	MP-MF45101V1-10000-A99

Important Notice : This data sheet and its contents (the "Information") belong to the members of the AVNET group of companies (the "Group") or are licensed to it. No licence is granted for the use of it other than for information purposes in connection with the products to which it relates. No licence of any intellectual property rights is granted. The Information is subject to change without notice and replaces all data sheets previously supplied. The Information supplied is believed to be accurate but the Group assumes no responsibility for its accuracy or completeness, any error in or omission from it or for any use made of it. Users of this data sheet should check for themselves the Information and the suitability of the products for their purpose and not make any assumptions based on information included or omitted. Liability for loss or damage resulting from any reliance on the Information or use of it (including liability resulting from negligence or where the Group was aware of the possibility of such loss or damage arising) is excluded. This will not operate to limit or restrict the Group's liability for death or personal injury resulting from its negligence. Multicomp Pro is the registered trademark of Premier Farnell Limited 2019.

Newark.com/multicomp-pro
 Farnell.com/multicomp-pro
 sg.element14.com/b/multicomp-pro