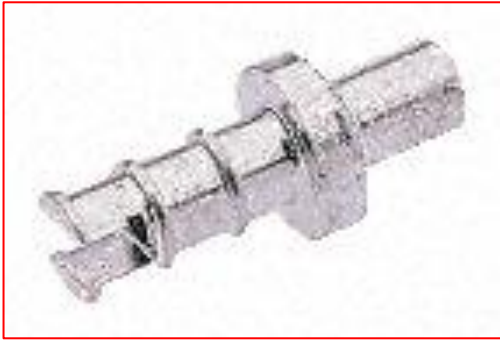


Professionally approved products.

## Datasheet

# Turret Tag PCB Rivet for 2.54 mm Diameter

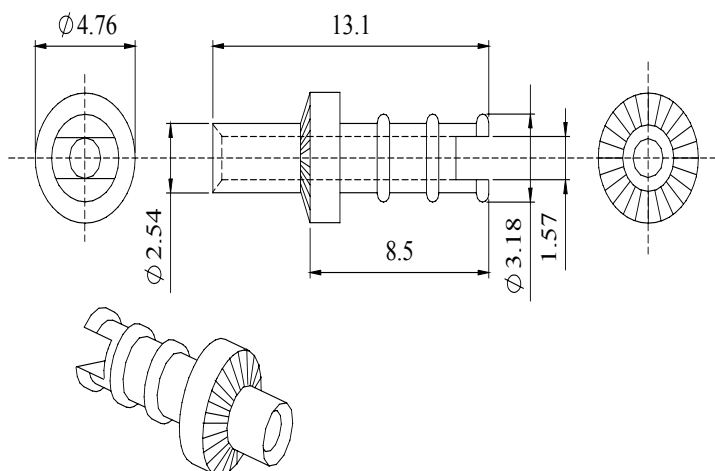
RS Stock number [433-589](#)



### Features

- For Hole Size: 2.54mm
- Height: 8.5mm
- Type: Turret Tag

### Dimensions



### MATERIAL

Brass,  
BS 2874 CZ 124  
Silver plated

Supplied in a bag of  
100 turret tags