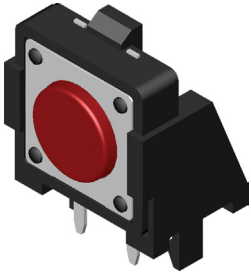


Tactile Switches

13.1mm × 14.7mm, Right Angle Type

multicomp PRO

**RoHS
Compliant**



Features

- High reliable metal contacts
- Vertical operation available
- Cap options

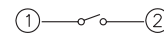
Application

- Audio, OA Equipment
- Instrumentation
- Industrial

Specification

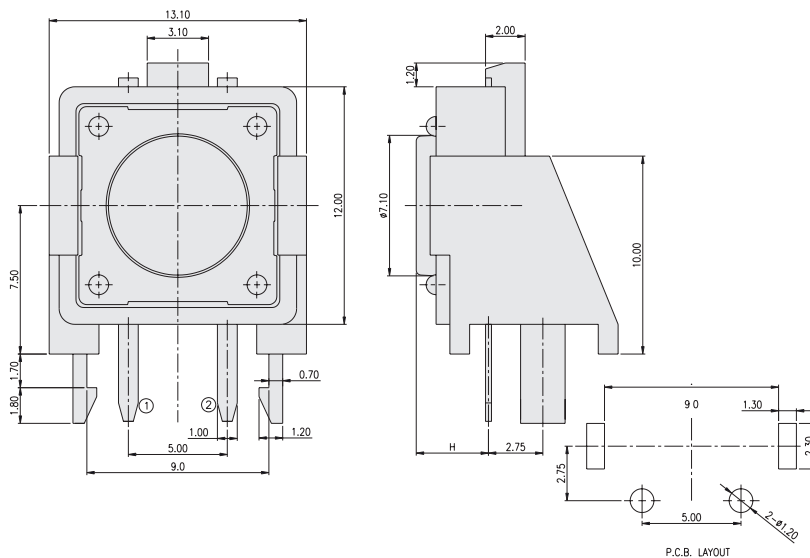
| | |
|-----------------------|--|
| Contact Rating | : 50mA, 12V DC |
| Contact Resistance | : 100mΩ max. |
| Insulation Resistance | : 100MΩ min. 500V DC |
| Dielectric Strength. | : 250V AC / 1 minute |
| Operating Force | : 160 ±50gf, Brown(N) 260 ±50gf, Red(R) 320 ±80gf, Salmon(S) |
| Travel | : 0.35mm |
| Operating Life | : Phosphor Bronze Dome 100,000 cycles (320gf/260gf) 200,000 cycles (160gf) Stainless Steel Dome 300,000 cycles (320gf) 500,000 cycles (260gf) 1,000,000 cycles (160gf) |
| Operating Temp. | : -25°C to +70°C |
| Storage Temp. | : -30°C to +80°C |

Circuit



Diagram

DTSA-2



Dimensions : Millimetres

Newark.com/multicomp-pro
Farnell.com/multicomp-pro
sg.element14.com/b/multicomp-pro

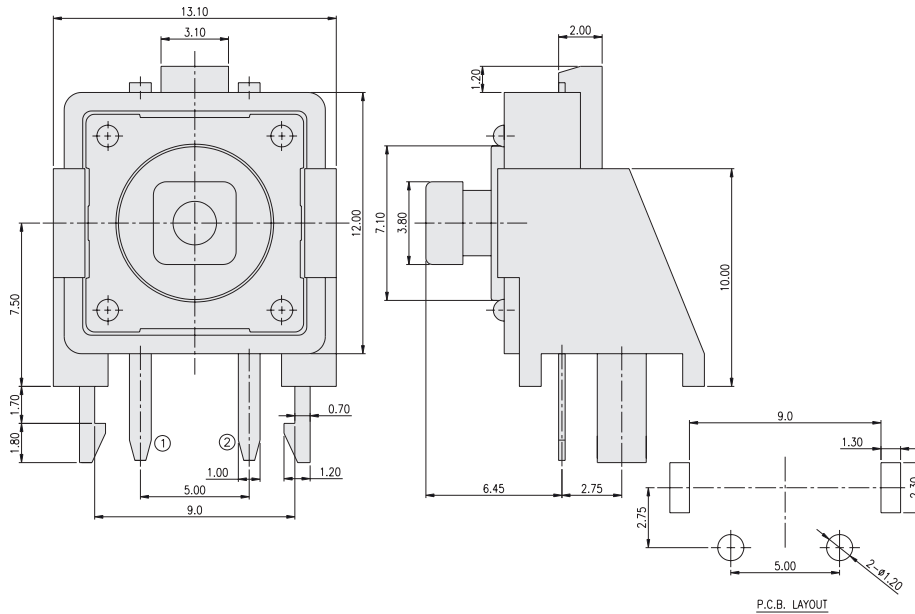
multicomp PRO

Tactile Switches

13.1mm × 14.7mm, Right Angle Type

multicomp PRO

MPTSA-24



Dimensions : Millimetres

Part Number Table

| Description | Part Number |
|---------------------------------------|-------------|
| Tactile Switch, 3.65mm, Brown, 160gf | MPTSA-21N-V |
| Tactile Switch, 3.65mm, Red, 260gf | MPTSA-21R-V |
| Tactile Switch, 3.65mm, Salmon, 320gf | MPTSA-21S-V |
| Tactile Switch, 6.45mm, Brown, 160gf | MPTSA-24N-V |
| Tactile Switch, 6.45mm, Red, 260gf | MPTSA-24R-V |
| Tactile Switch, 6.45mm, Salmon, 320gf | MPTSA-24S-V |
| Tactile Switch, 7.85mm, Brown, 160gf | MPTSA-25N-V |
| Tactile Switch, 7.85mm, Red, 260gf | MPTSA-25R-V |
| Tactile Switch, 7.85mm, Salmon, 320gf | MPTSA-25S-V |

Important Notice : This data sheet and its contents (the "Information") belong to the members of the AVNET group of companies (the "Group") or are licensed to it. No licence is granted for the use of it other than for information purposes in connection with the products to which it relates. No licence of any intellectual property rights is granted. The Information is subject to change without notice and replaces all data sheets previously supplied. The Information supplied is believed to be accurate but the Group assumes no responsibility for its accuracy or completeness, any error in or omission from it or for any use made of it. Users of this data sheet should check for themselves the Information and the suitability of the products for their purpose and not make any assumptions based on information included or omitted. Liability for loss or damage resulting from any reliance on the Information or use of it (including liability resulting from negligence or where the Group was aware of the possibility of such loss or damage arising) is excluded. This will not operate to limit or restrict the Group's liability for death or personal injury resulting from its negligence. Multicomp Pro is the registered trademark of Premier Farnell Limited 2019.

Newark.com/multicomp-pro
 Farnell.com/multicomp-pro
 sg.element14.com/b/multicomp-pro

multicomp PRO