

## Technical data

### GHG 791 01 up to 6 terminals / GHG 791 02 up to 8 terminals

Marking accd. to 94/9/EC	⊕ II 2 G Ex dem ia II, IIC T6 / ⊕ II 2 D Ex tD A21 IP66 T80 °C
EC-Type Examination Certificate	PTB 00 ATEX 3108
IECEX Certificate of Conformity	IECEX BKI 07.0034
Marking accd. to IECEx	Ex e II T6 / Ex ia IIC T6 Ex tD A21 IP66 T58 °C
Permissible ambient temperature	-20 °C to +40 °C / -55 °C to +40 °C (option)
Rated voltage	690 V / 550 V <sup>1)</sup>
Rated current	depends on terminal cross section
Terminal cross section	max. 3 x 4 mm <sup>2</sup> or 1 x 10 mm <sup>2</sup> with pin cable lug + 1 x 2.5 mm <sup>2</sup> fine wire max. 3 x 6 mm <sup>2</sup> or 4 x 4 mm <sup>2</sup> solid-wire
Protection class	I
Degree of protection accd. to EN 60529	IP66
Enclosure material	Polyamide

### GHG 791 01 up to 6 terminals

Cable entry/enclosure drilling	max. 4 x M25 for cable Ø 10 - 17 mm max. 4 x M20 metal thread
Connecting terminals	4 x + 1 PE
Dimensions (L x W x H)	81.5 x 100 x 61 mm
Weight	approx. 0.3 kg

### GHG 791 02 up to 8 terminals

Cable entry/enclosure drilling	max. 6 x M25 for cable Ø 10 - 17 mm max. 6 x M32 for cable Ø 12 - 21 mm max. 6 x M20 metal thread
Connecting terminals	6 x + 2 PE
Dimensions (L x W x H)	117.5 x 113.5 x 73.5 mm
Weight	approx. 0.5 kg

<sup>1)</sup> for cage clamp terminals

## Ex-junction box



GHG 791 0101 R0001



GHG 791 0101 R0019



GHG 791 0101 R0068



GHG 791 0201 R0006

### Ordering details

Content	Cable gland	No. of terminals	Order No.
<b>GHG 791 01 up to 6 terminals</b>			
	2 x M25 for cable Ø 10-17 mm	4 x Ex-e, 1 x PE	GHG 791 0101 R0001
	4 x M25 for cable Ø 10-17 mm incl. 2 x blanking plug M25	4 x Ex-e, 1 x PE	GHG 791 0101 R0002
	4 x M20 metal thread incl. 2 x threaded plug M20	4 x Ex-e, 1 x PE	GHG 791 0101 R0019
	4 x M25 for cable Ø 10-17 mm incl. 2 x blanking plug M25	4 x 4 Ex-e <sup>1)</sup> , 2 x PE	GHG 791 0101 R0069
	4 x M20 metal thread incl. 2 x threaded plug M20	4 x 4 Ex-e <sup>1)</sup> , 2 x PE	GHG 791 0101 R0068

<b>GHG 791 02 up to 8 terminals</b>			
	4 x M25 for cable Ø 10-17 mm incl. 2 x blanking plug M25	6 x Ex-e, 2 x PE	GHG 791 0201 R0006
	4 x M32 for cable Ø 12-21 mm incl. 2 x blanking plug M32	6 x Ex-e, 2 x PE	GHG 791 0201 R0007
	6 x M25 for cable Ø 10-17 mm incl. 4 x blanking plug M25	6 x Ex-e, 2 x PE	GHG 791 0201 R0001
	6 x M32 for cable Ø 12-21 mm incl. 4 x blanking plug M32	6 x Ex-e, 2 x PE	GHG 791 0201 R0002
	6 x M20 metal thread incl. 4 x threaded plug M20	8 x Ex-e, 1 x PE	GHG 791 0201 R0003

Other applications available on request.

<sup>1)</sup> Cage clamp terminal

### Accessories

#### Mounting plate for junction box 791 01

Type	Application	Fixing method	Order No.
Size 1	Wall mounting	snap on	GHG 610 1953 R0101
Size 1	for trellis mounting	snap on	GHG 610 1953 R0103
Size 1	pipe clamp	snap on	GHG 610 1953 R0102
Protective canopy size 2	for mounting plate size 1		GHG 610 1955 R0101

#### Mounting plate for junction box 791 02

Type	Application	Fixing method	Order No.
Size 2	Wall mounting	snap on	GHG 610 1953 R0104
Size 2	for trellis mounting	snap on	GHG 610 1953 R0106
Size 2	pipe clamp	snap on	GHG 610 1953 R0105
Protective canopy size 2	for mounting plate size 2		GHG 610 1955 R0102

Details for accessories see page 2.2.80 up to 2.2.84.



GHG 791 0201 R0006



GHG 791 0101 R0068

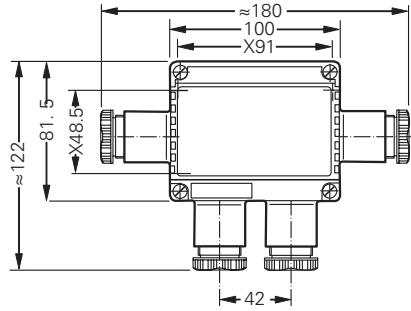


GHG 791 0101 R0019

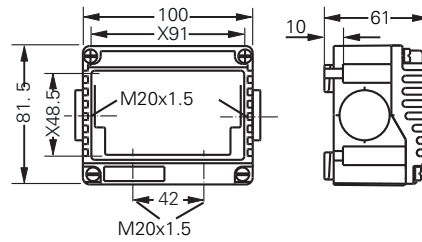
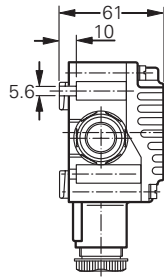


GHG 791 0101 R0001

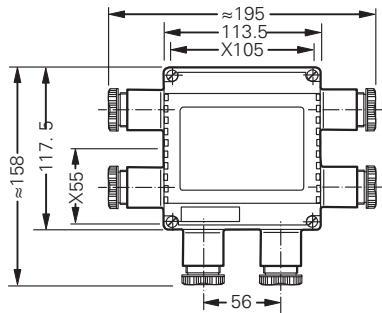
**Dimension drawing**



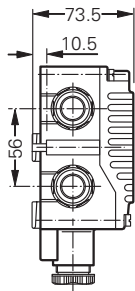
Type 791 01



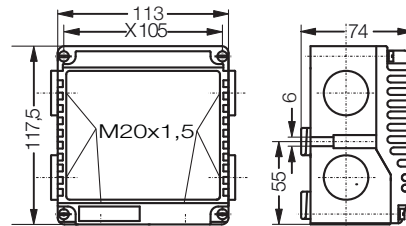
Type 791 01 for metal cable glands



Type 791 02



X = fixing dimensions



Type 791 02 for metal cable glands