

FEATURES

- For all corrosive fluids and environment
- Mechanical strength
- Operating temperature range is from - 60 °C to + 300 °C

RS PRO Tee Male Adaptor - Center Leg 8-1/4 AISI316L

RS Stock No.: 2312724



RS PROfessionally Approved Products bring to you professional quality parts across all product categories. Our product range has been tested by engineers and provides a comparable quality to the leading brands without paying a premium price.

Product Description

The RS PRO tee male adaptor - center leg 8-1/4 is made up of stainless steel 316L. It is a perfect solution for multiple application and connection, it's possible to connect with several rigid metallic tube in complete safety (stainless steel, brass, aluminum, copper) but also plastic made tubes like polyurethane, polyamide, Teflon. It is RoHS and REACH compliant. It has operating temperature range from - 60 °C to + 300 °C.

General Specifications

Pneumatic Fitting Type	Tee Threaded Adaptor
Shape Type	Tee
Applications	Robotics, Automotive, Textile, Packaging, Handling, Compressed Air Circuit Applications

Mechanical Specifications

Connection Style	Threaded-to-Tube
Number of Inlet Ports	1
Inlet Port	1/4 in Male
Number of Outlet Ports	2
Tube Connection A	BSP 1/4 Male
Tube Connection A - Tube Size	1/4in
Tube Connection B	Push In 8mm
Tube Connection B – Type	Push In
Tube Connection B - Tube Size	8mm
Tube Connection D	Push In 8mm
Tube Connection D – Type	Push In
Tube Connection D - Tube Size	8mm
Threaded Connection	1/4 in Male BSP
Length 1	51mm
Length 2	21mm
Wrench Size 1	12mm
Wrench Size 2	14mm

Connectors

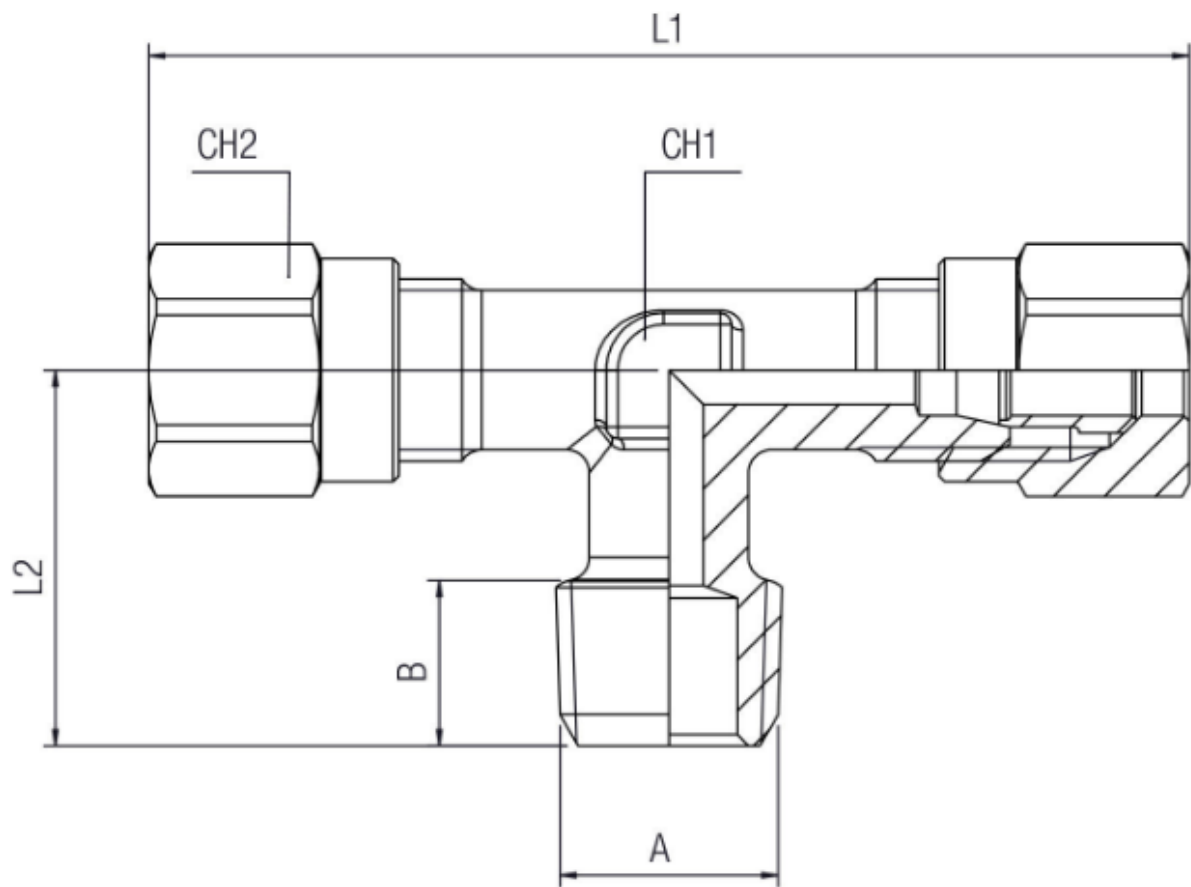
Connector A	BSP 1/4 Male
Threaded Connection A	BSP 1/4 Male
Threaded Connection A – Gender	Male
Connector B	Push In 8mm
Connector D	Push In 8mm

Operation Environment Specifications

Maximum Operating Temperature	+300°C
Minimum Operating Temperature	-60°C

Similar Products

Parameters	2312668	2312669
Brand	RS PRO	RS PRO
Pneumatic Fitting Type	Bulkhead Threaded-to-Tube Adaptor	Bulkhead Threaded-to-Tube Adaptor
Angle	Straight	Straight
Shape Type	Straight	Straight
Maximum Operating Pressure	20bar	20bar
Connection Style	Threaded-to-Tube	Threaded-to-Tube
Number of Inlet Ports	1	1
Inlet Port	Push In 4mm	Push In 6mm
Tube Connection A	Push In 4mm	Push In 6mm
Tube Connection A - Tube Size	4mm	6mm
Tube Connection B	1/8 in Female	1/4 in Female
Tube Connection B - Tube Size	1/8 in	1/4 in
Threaded Connection	1/8 in Female	1/4 in Female
Length	29mm	33mm
Wrench Size 1	15mm	16mm
Wrench Size 2	17mm	17mm
Connector A	Push In 4mm	Push In 6mm
Threaded Connection A	4mm	6mm
Connector B	1/8 in Female	1/4 in Female
Threaded Connection B	1/8in	1/4in
Threaded Connection B – Gender	Female	Female



Tube	A	B	L1	L2	CH1	CH2	Pack.
8	1/4	11	51	21	12	14	2