



ENGLISH

Datasheet

200W Enclosed Power Supply Range



Features:

- High efficiency, long life and high reliability
- 3 Year Warranty
- Universal Input
- Wide Operating Ambient Temperature Range
- Operating Altitude of up to 5000m on many of the range
- UL & CE Approved

The 200W enclosed power supply range has been specially designed to offer high efficiency, long life and high reliability for use in a variety of applications. This range comprises of 5 models with outputs of either 5v, 12v, 24v, 36v or 48v. Each model is approved to CE, CB, UL and come with a three year warranty.





ENGLISH

RS Stock Code		1618218	1618219	1618221	1618222	1618223
Output	DC Voltage	5V	12V	24V	36V	48V
	Rated Current	40A	16.7A	8.4A	5.6A	4.2A
	Current Range	0~40A	0~16.7A	0~8.4A	0~5.6A	0~4.2A
	Ripple & Noise	<150mVp-p	<150mVp-p	<200mVp-p	<200mVp-p	<200mVp-p
	Voltage Adjustment Range	5%~10% of Rated Output Voltage				
	Voltage Accuracy	+/- 1.0%				
	Line Regulation	+/- 0.5%				
	Load Regulation	+/- 1.0%				
	Overshoot & Undershoot	<5.0%				
	Rise Time	<2 Seconds - 230Vac at 100% Load				
	Hold Up Time	>10mS - 230Vac at 100% Load				

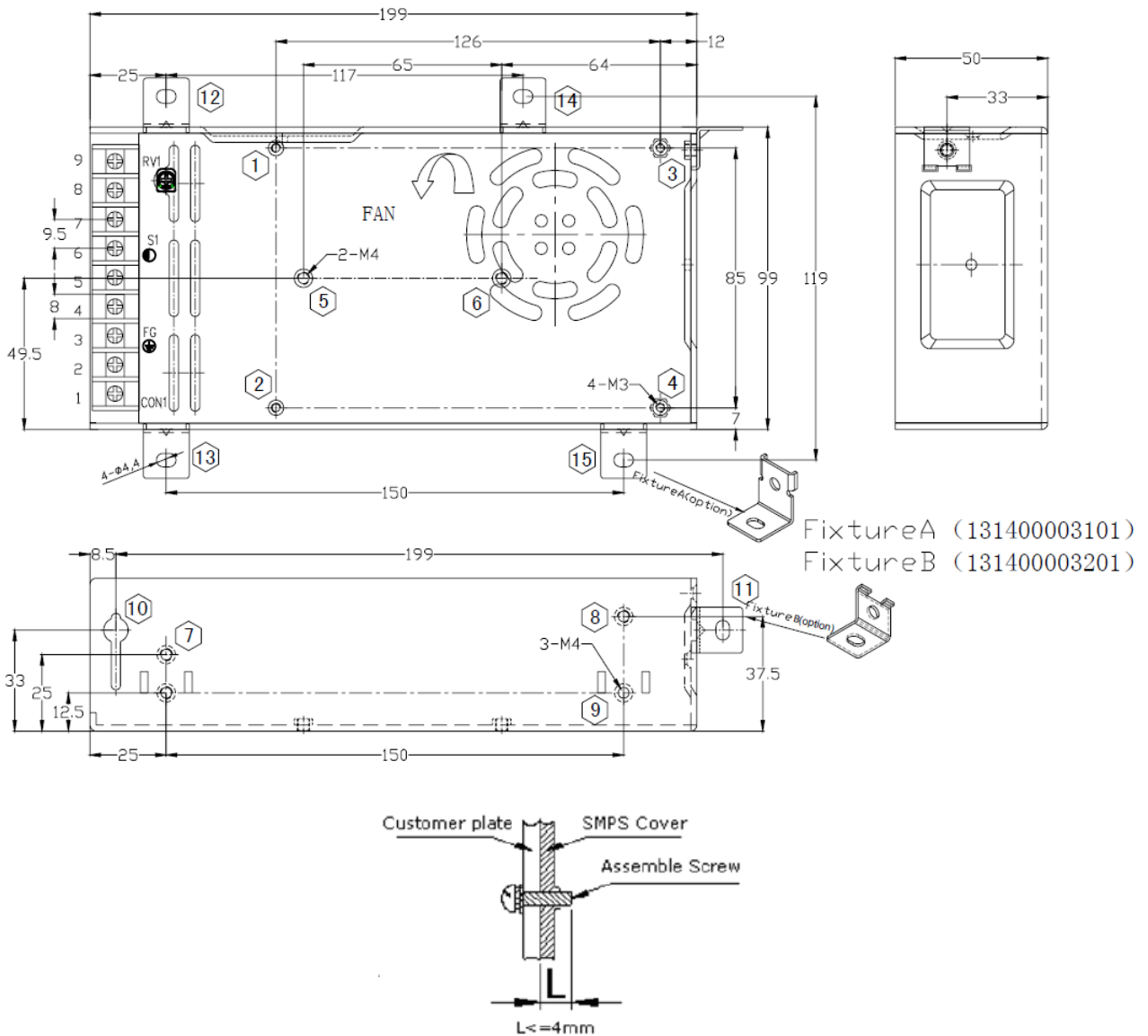
Input	Full Input Voltage Range	85~264Vac				
	Full Frequency Range	47-63Hz				
	AC Current	< 3.5A				
	In Rush Current	<50A@230Vac		<30A@115Vac		
	Leakage Current	Input-Output:<0.25mA		Input-PG:<1.0mA		

Protection	Over Load	105~150% rated output current				
	Short Circuit	Long Term Mode, auto-recovery				
Environment	Working Temp	-25°C ~ +70°C (230Vac) (Refer to output derating curve)				
	Working Humidity	20~90%RH non-condensing				
	Storage Temp	-40°C ~ +85°C				
	Storage Humidity	10 ~ 95%RH non-condensing				
	Vibration Resistance	10 ~ 150Hz, 2G, 10 minute cycle, X, Y,Z 60 minute in each direction				
Safety	Safety Standards	UL60950-1, EN60950-1: 2006 IEC60950-1:2005				
	Withstand Voltage	I/P-O/P: 3KVac I/P-FG: 1.5KVac O/P-FG: 0.5KVac				
	Isolation Resistance	> 100MOhms				
	EMC Emmission	Compliance to EN55022 Class B				
	EMC Immunity	Compliance to EN61000-4-2, 3, 4, 5, 6, 8, 11				
Others	Lifetime	200,000 Hours (25°C)				
	Size	199mm x 99mm x 50mm				
	Package	12pcs/ctn, 11.4KG				
Notes	<p>1)All parameters NOT specially mentioned are measured at 230Vac input, rated load and 25°C of ambient temperature.</p> <p>2)Measured at 20MHz of bandwidth by using a 12" twisted pair-wire terminated with a 0.1 uF & 47uF parallel capacitor.</p> <p>3)The power supply is considered a component which must be installed into final equipment. The final equipment must be re-confirmed that it meets all applicable directives.</p>					

■ Mechanical Specification

unit:mm

Tolerance: ± 1 mm

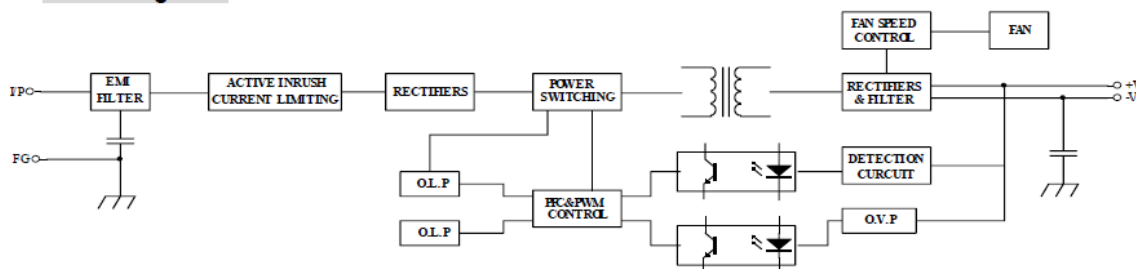


FixtureA (131400003101)

FixtureB (131400003201)

$L \leq 4$ mm

■ Block Diagram



■ Derating Curve

