

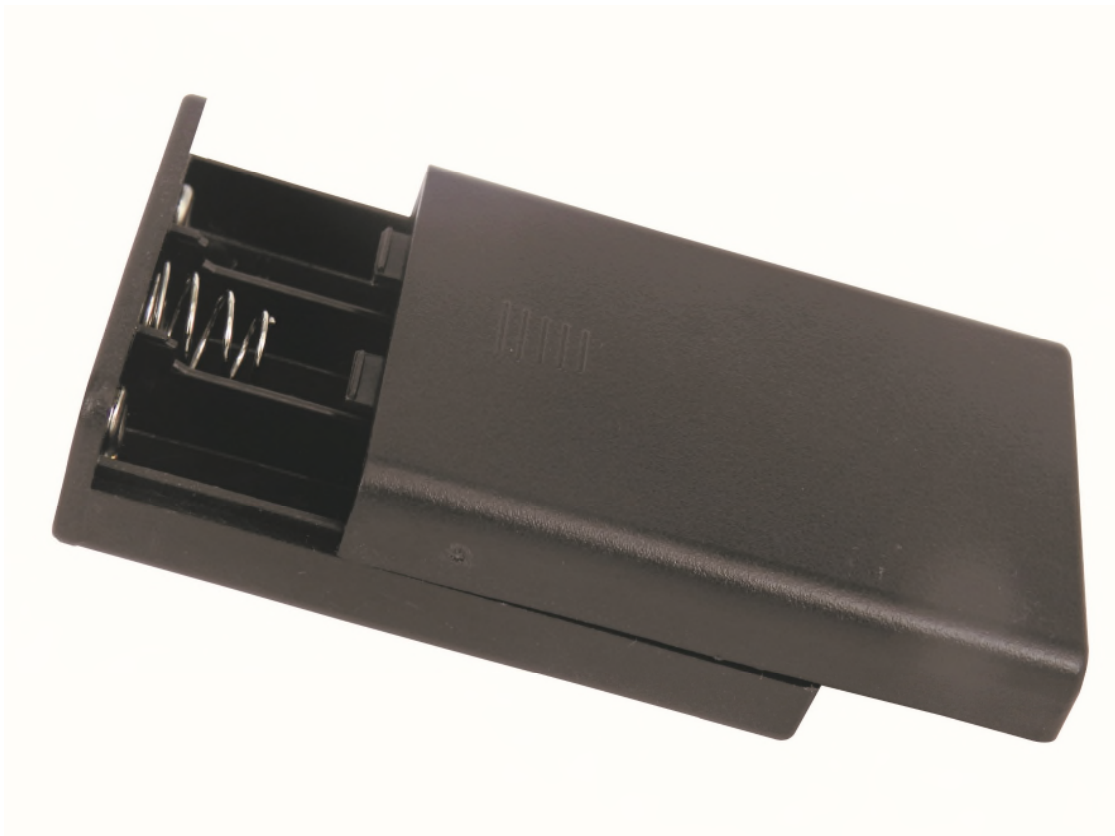


ENGLISH

Datasheet

RS Article:1854736

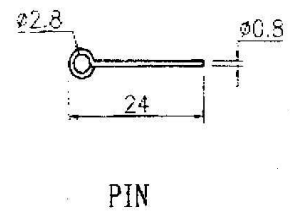
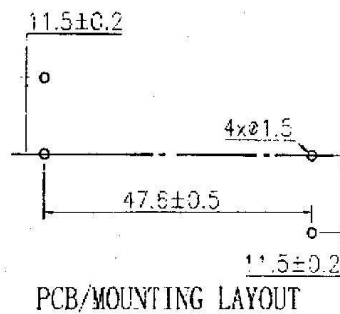
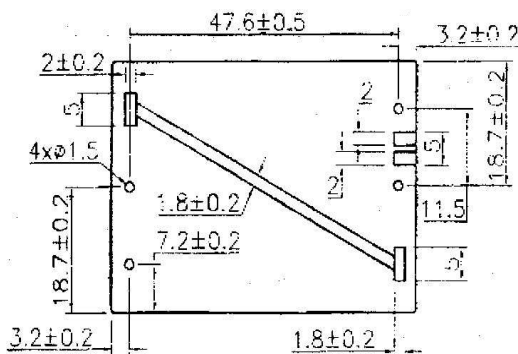
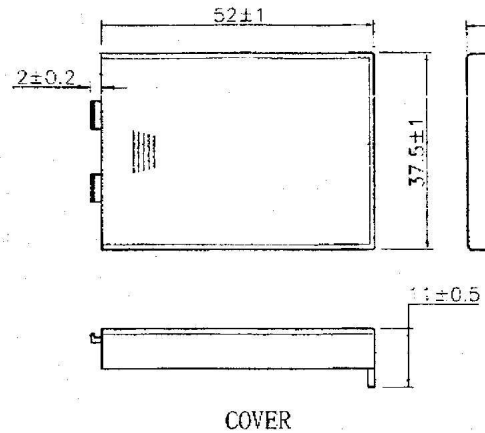
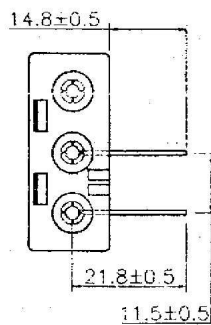
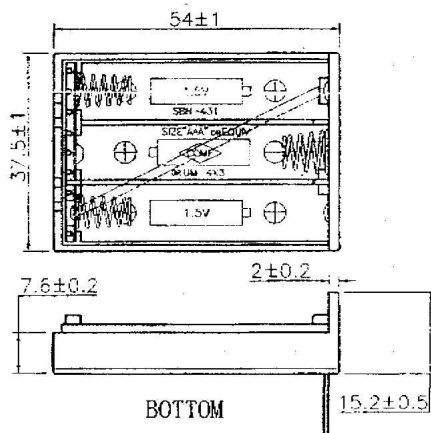
RS Pro Safety Battery Holder



1. Preface:

The purpose of this product specification is to Dimension and drawing

AAA x 3 with PIN



SPECIFICATION

- (1) ITEM NO: 1854736
- (2) WITH PIN: $\phi 0.8 \times 24$
- (3) MATERIAL: ABS RESIN BLACK COLOR
- (4) SPRING: #4 0.6MM 65C SPRING WIRE

Measure: mm