

FEATURES

- 12 V dc Supply Voltage
- Robust units which boast a high quality motor
- Sintered bronze bearings
- High Efficiency

RS PRO, 12 V dc, 268 gcm, Brushed DC Geared Motor, Output Speed 129 rpm

RS Stock No.: 417-9706



RS Professionally Approved Products bring to you professional quality parts across all product categories. Our product range has been tested by engineers and provides a comparable quality to the leading brands without paying a premium price.

Product Description

From RS Pro, this planetary geared DC motor is made from premium materials, and boasts a high quality construction. As such, it is suitable for use in heavy duty environments. This DC geared motor uses a brush to deliver current to the motor windings. As such they ensure a a low cost and simplified design, while still offering versatility and reliability. They are ideal for low speed applications that require high starting torque.

General Specifications

DC Motor Type	Brushed
Output Speed (No Load)	129rpm
Gearhead Type	Planetary
Application	Prototyping, Water pumps, Camera Systems, Adjusting devices, Robotics, Fans

Electrical Specifications

Power Rating	0.47W
Supply Voltage	12V dc
Current Rating (No Load)	115mA
Maximum Output Torque	268 gcm
Rated Tolerance Torque	1.6 kgf-cm Maximum
Max momentary Tolerance Torque	4.8 kgf-cm
Efficiency	60%

Reduction Table RPM Supply Voltage	3V	6V	9V	12V
Speed	32rpm	65rpm	97rpm	129rpm

Mechanical Specifications

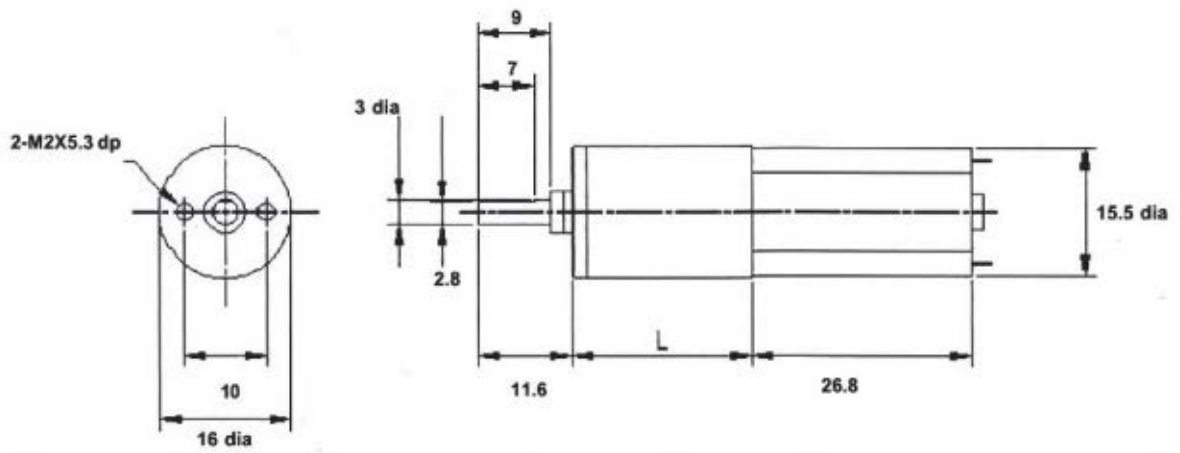
Shaft Diameter	3mm
Core Construction	Iron Core
Dimensions	16 (Dia.)mm x 49mm
Length	49mm
Width	16 (Dia.)mm
Reduction Ratio	1/62
Weight	43g

Gearbox Housing Material	Metal
Backlash at No-Load	< 3°
Bearing at Output	Sleeve bearings
Radial Load (10mm from flange)	< 0.5kgf
Shaft Axial Load	< 0.5kgf
Shaft Press Fit Force Max.	< 1.5kgf
Radial Play of Shaft	< 0.08mm
Thrust Play of Shaft	< 0.2mm

Approvals

Compliance/Certifications	2011/65/EU and 2015/863
Standards Met	ANSI/ESD S20.20:2014 and BS EN 61340-5-1:2007





Operating relative humidity 20% ~ 85%
 Operating temperature range -10°C ~ +60°C

Ratio	L
62:1	22.3mm