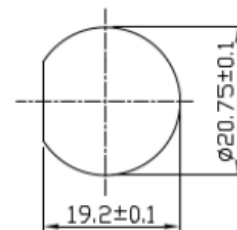
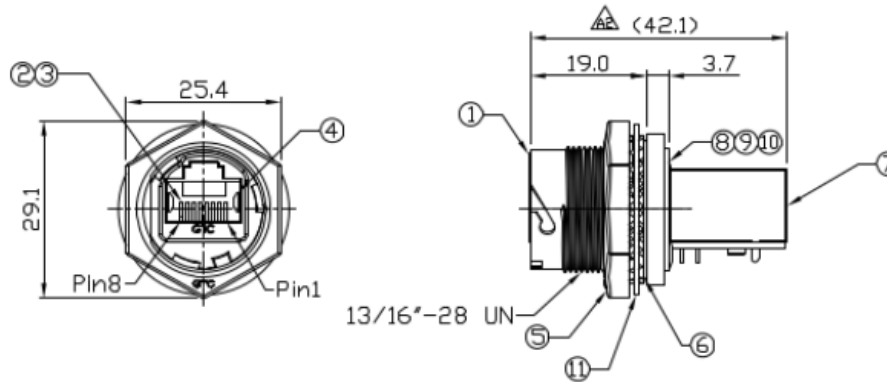




Notes: (Unless Otherwise Specified)

1. Waterproof Rate: IP68,
2. Recommend Panel Thickness: 0.8 to 8.0 mm.
3. Recommend Torque: 29~30 Kgf-cm.
4. Mating Cap P/N: 125-7926
5. RoHS Compliant.

REV	ECN#	DESCRIPTION OF REVISION	DRAW BY DATE	CHECK BY DATE	APPROVE BY DATE
A0		Mass Production	Joyce 09/13/11	Lucas 09/13/11	Ray 09/13/11
A1	ECN-111202	Add C3 Metal Washer , Marked Δ	Joyce 12/14/11	Lucas 12/14/11	Ray 12/14/11
A2	ECN-130919	Marked Δ	Joyce 09/12/13	Lucas 09/12/13	Ray 09/12/13



Recommend
Panel Cut-Out

Mating Parts:
111-6741
111-6742
111-6743

11	Washer	Stainless Finish —	1	Δ
10	Glue	Epoxy Color: Black		
9	PCB	FR-4 Color: -	1	
8	Holder	Silicone Color: Black	1	
7	RJ45 Receptacle	Shell: Copper Alloy; Finish: Ni Plated Housing: Thermoplastic; Color: Black Contacts: Copper Alloy; Finish: Au Plated	1	
6	O-Ring	Silicone Color: Red	1	
5	Hex Nut	Zn Alloy Finish: Ni Plated	1	
4	EMI Shielded Plate	Copper Alloy Finish: Ni Plated	2	
3	Holder	Thermoplastic Color: Black	1	
2	RJ45 Receptacle	Housing: Thermoplastic; Color: Gray Contacts: Copper Alloy; Finish: Au Plated	1	
1	Housing	Zn Alloy Finish: Ni Plated	1	
Item	Part Name	Material / Finish	Qty	

TITLE		DRAW / DATE			CHECK / DATE			APPROVE / DATE			TOLERANCES	UNIT	SHEET
RJ45 Metal C3 Shielded Panel Jack Lock With Coupler 180°		B	1:1	Karen 06/03/09	Ray 06/03/09	Ray 06/03/09	Ray 06/03/09	XX ± 0.5 X.XX ± 0.2	X.XXX ± 0.05 ANGLES ± 1°	mm	1/1		
THIRD ANGLE PROJECTION		SIZE	SCALE	DRAW / DATE	CHECK / DATE	APPROVE / DATE	TOLERANCES			UNIT	SHEET		

RS Stock No
111-6744